

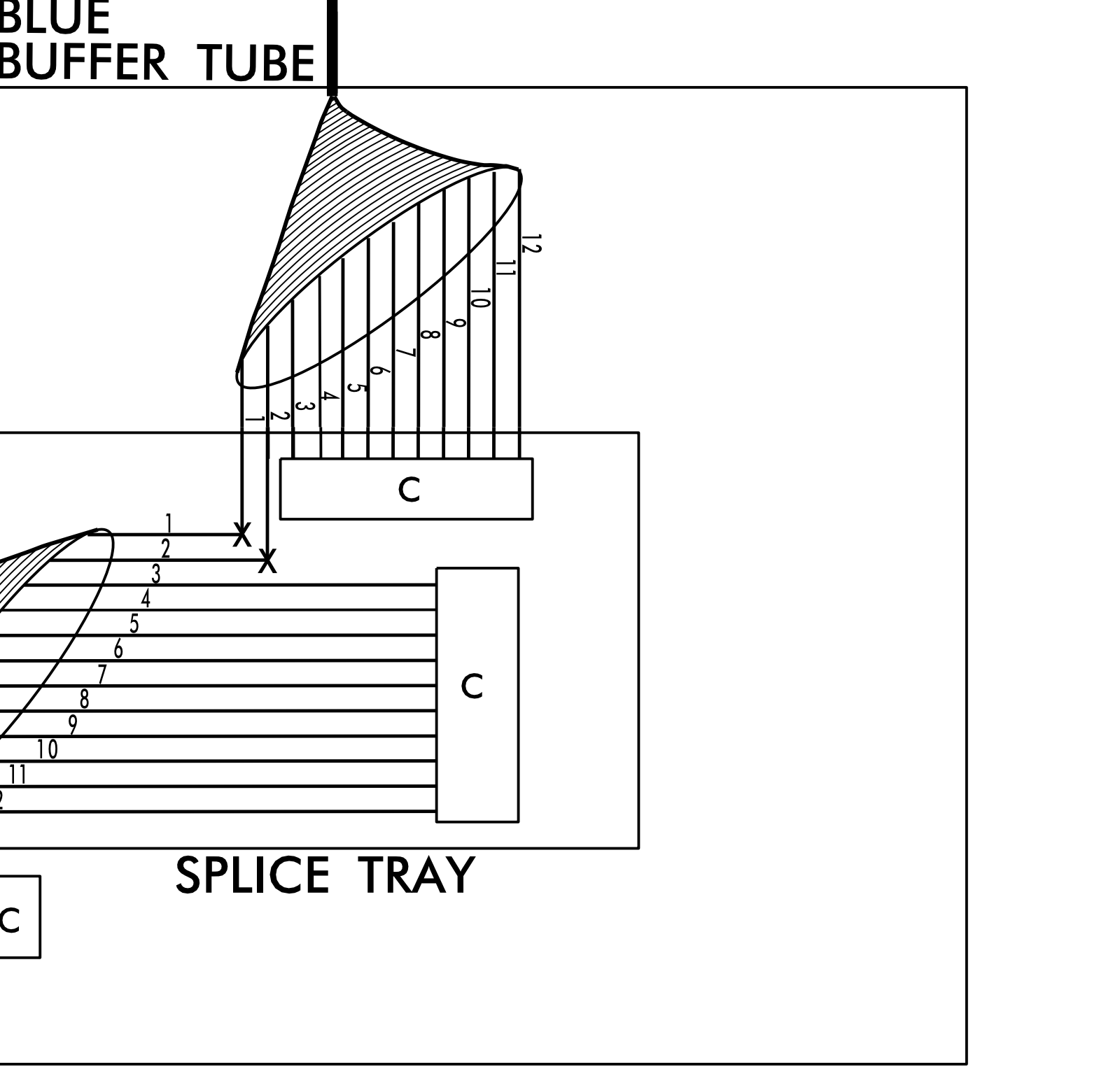
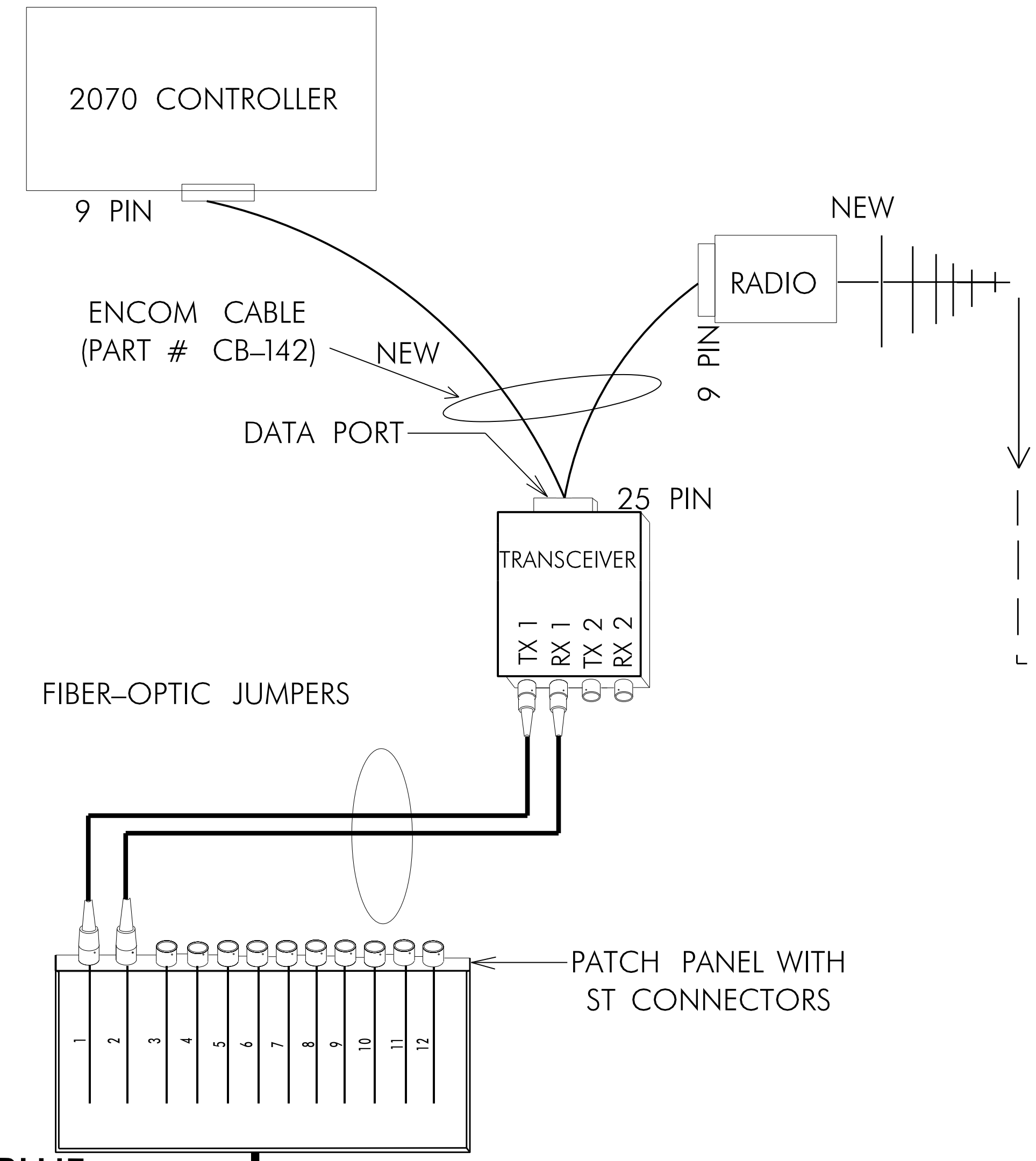
**UNDERGROUND SPlice ENCLOSURE #3**  
 AT NC 3 MOORESVILLE RD AND  
 DALE EARNHARDT BLVD (LOOP RD)  
 WATSON CRICK  
 SIG. INV. # 10-0445

**LEGEND**

COLOR CODE TIA/EIA 598-A	
(1) BLUE	(7) RED
(2) ORANGE	(8) BLACK
(3) GREEN	(9) YELLOW
(4) BROWN	(10) VIOLET
(5) SLATE	(11) ROSE
(6) WHITE	(12) AQUA

X = NEW FUSION SPlice INDIVIDUAL FIBER  
 C = CAP, COIL, AND SEAL

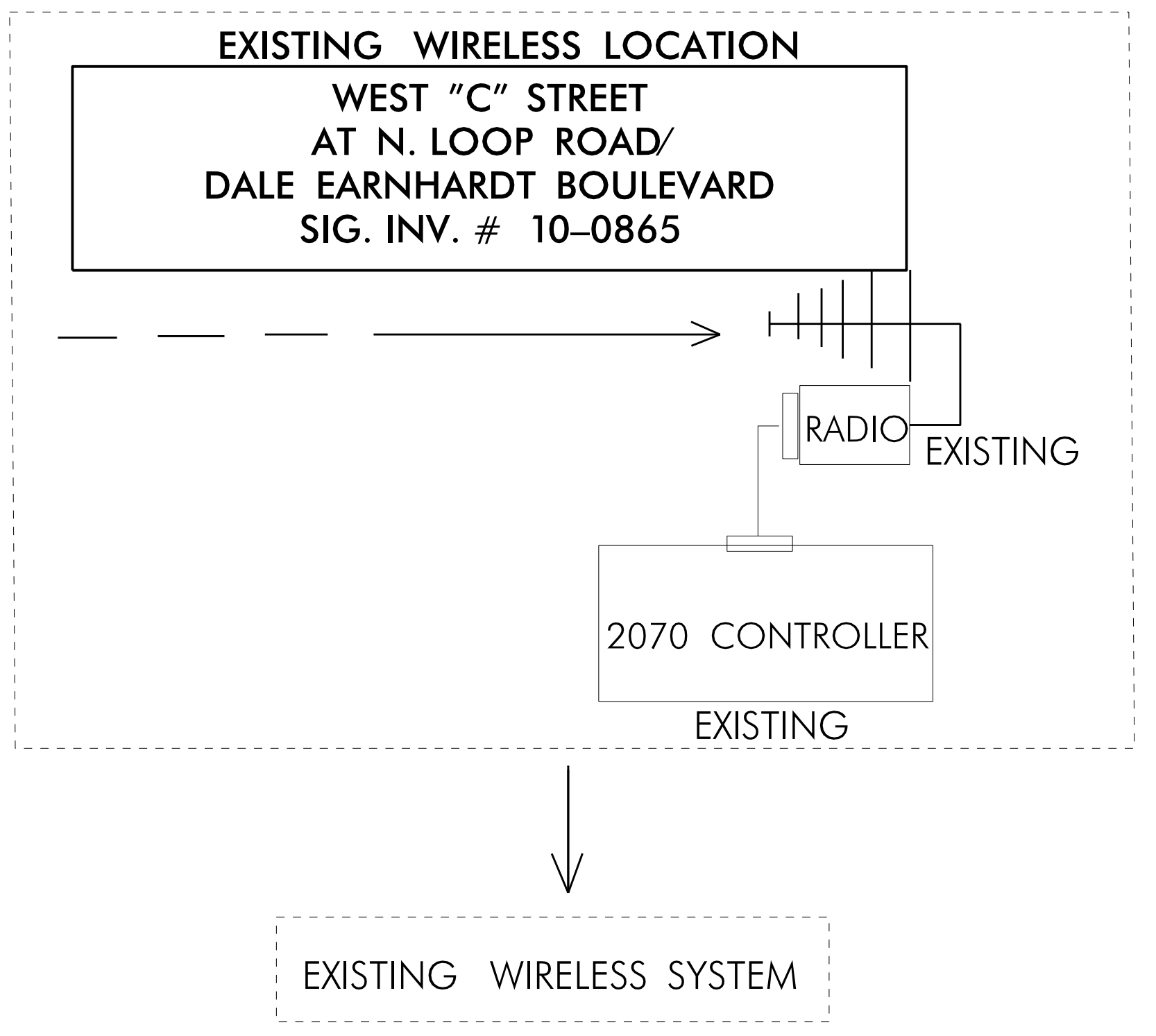
Notes:  
 Unused fibers left coiled and stored in splice tray.  
 Unused Buffer Tubes left coiled and stored in splice tray.



TO  
 UNDERGROUND SPlice ENCLOSURE #2  
 AT 10-0395

**UNDERGROUND SPlice ENCLOSURE #3**

EXISTING WIRELESS SYSTEM-  
 SYSTEM MASTER AT  
 WEST "A" STREET/  
 INDEPENDENCE AVENUE  
 SIG. INV. # 10-0883



NOTE:  
 TRANSCEIVER TERMINATION CONFIGURATIONS ARE GENERIC. CONTRACTOR IS RESPONSIBLE FOR DETERMINING/ENSURING PROPER TERMINATIONS.

INCLUDE ON THE COVER OF EACH SPlice TRAY THE FOLLOWING:  
 REFERENCE SECTION 1731 "FIBER OPTIC SPlice ENCLOSURE"

- 1) SPlice LOCATION
- 2) DATE
- 3) COMPANY NAME
- 4) NAME OF INDIVIDUAL PERFORMING THE SPlicing

PRIOR TO INSTALLING THE COVER ON THE SPlice TRAY TAKE A DIGITAL PHOTOGRAPH SHOWING THE SPlice TRAY AND INFORMATION SHOWN ABOVE (1-4) AND SUBMIT PHOTOGRAPH ALONG WITH OTDR TEST RESULTS.

**DOCUMENT NOT CONSIDERED FINAL UNLESS ALL SIGNATURES COMPLETED**

	<b>SPlice DETAILS</b>	
	DIVISION 10 CABARRUS CO. KANNAPOLIS	
PLAN DATE: JUNE 2016 PREPARED BY: H.T. BERGGREN	REVIEWED BY: REVIEWED BY:	SCALE: 0 N/A N/A
REVISIONS _____	INIT. DATE _____	DATE _____