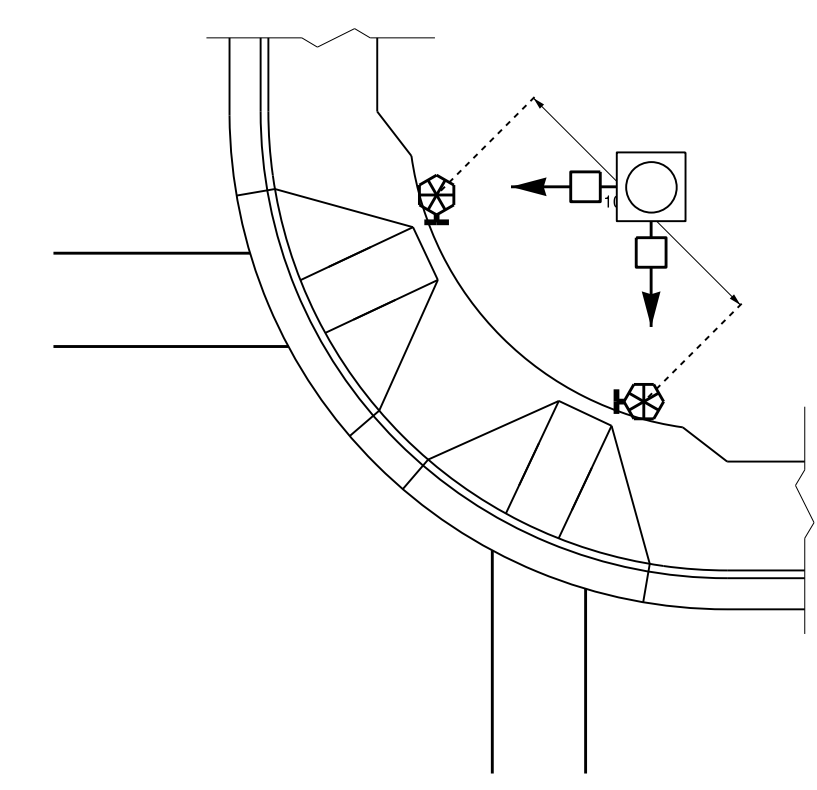


STATE OF NORTH CAROLINA
 DEPT. OF TRANSPORTATION
 DIVISION OF HIGHWAYS
 RALEIGH, N.C.

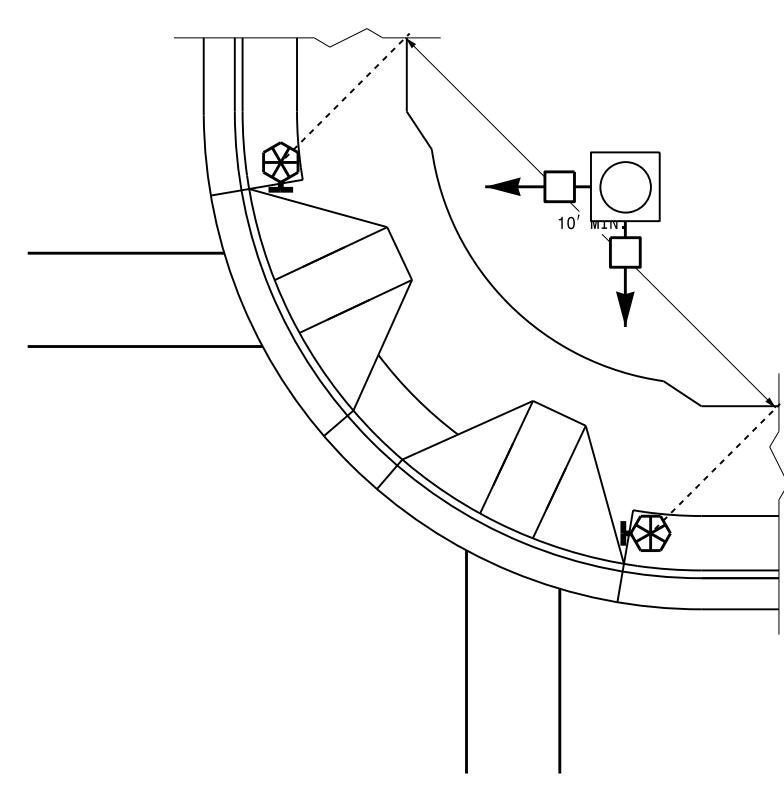
ENGLISH DETAIL DRAWING FOR
PEDESTRIAN PUSHBUTTON LOCATIONS
 PLACEMENT DETAIL

SHEET 2 OF 3
1705D01

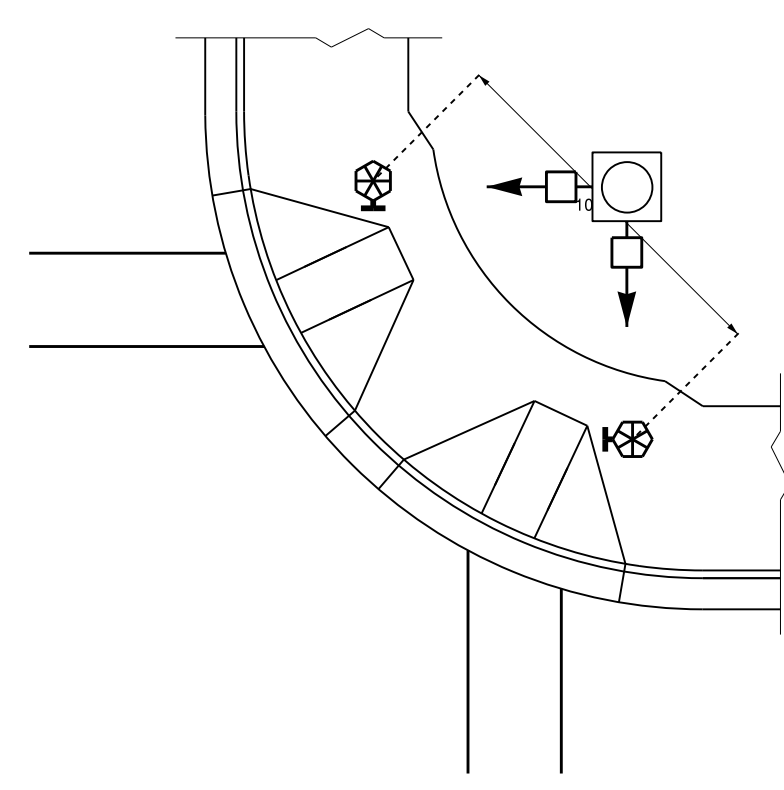
TYPICAL PUSHBUTTON LOCATIONS (CASE I)
 SEPARATE CURB RAMPS W/ TYPE I PEDESTALS



BACK OF SIDEWALK IS WITHIN 10' OF CURB OR PAVEMENT/SHOULDER



GRASS STRIP PLACEMENT IF BACK OF SIDEWALK EXCEEDS 10' FROM CURB OR PAVEMENT/SHOULDER

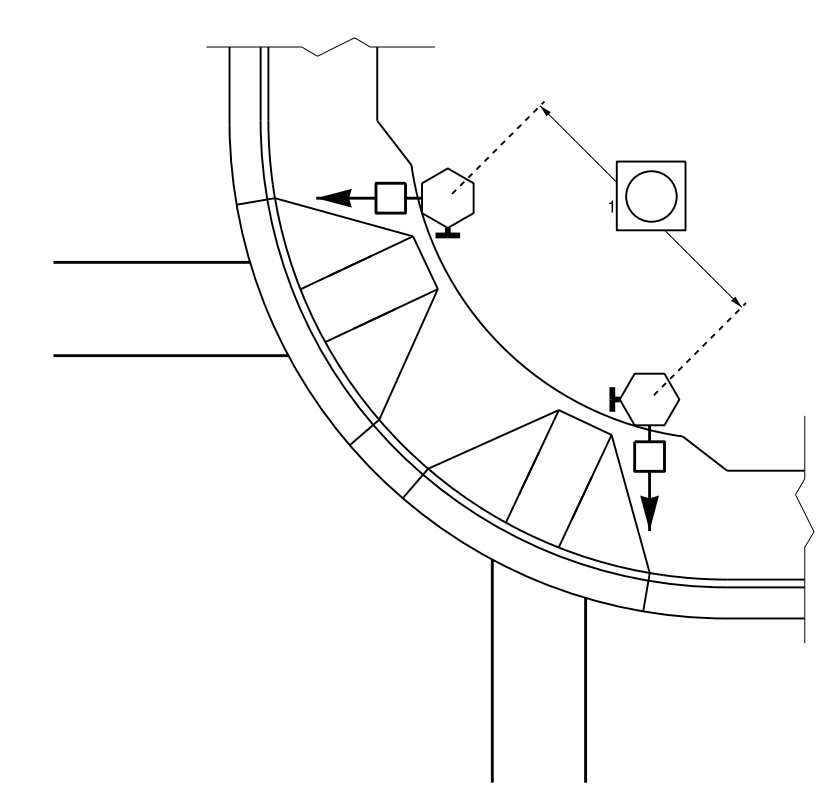


PUSHBUTTON PLACEMENT IN WIDE SIDEWALK

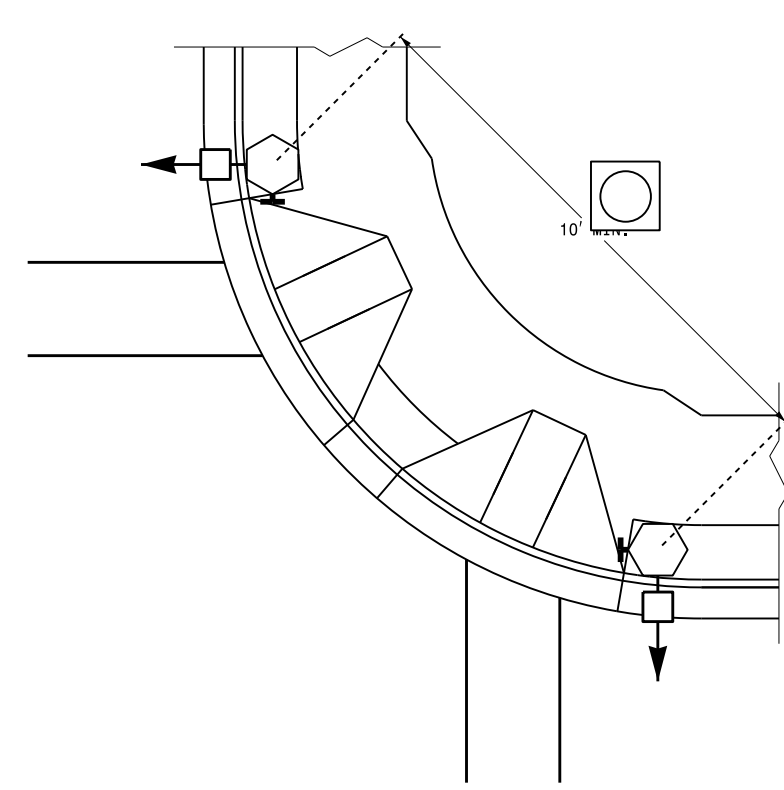
PROPOSED

	Signal Pole
	Type I Pushbutton Post
	Type II Signal Pedestal
	Pushbutton & Sign
	Pedestrian Signal Head
	Curb Ramp
	Pushbutton Location Area

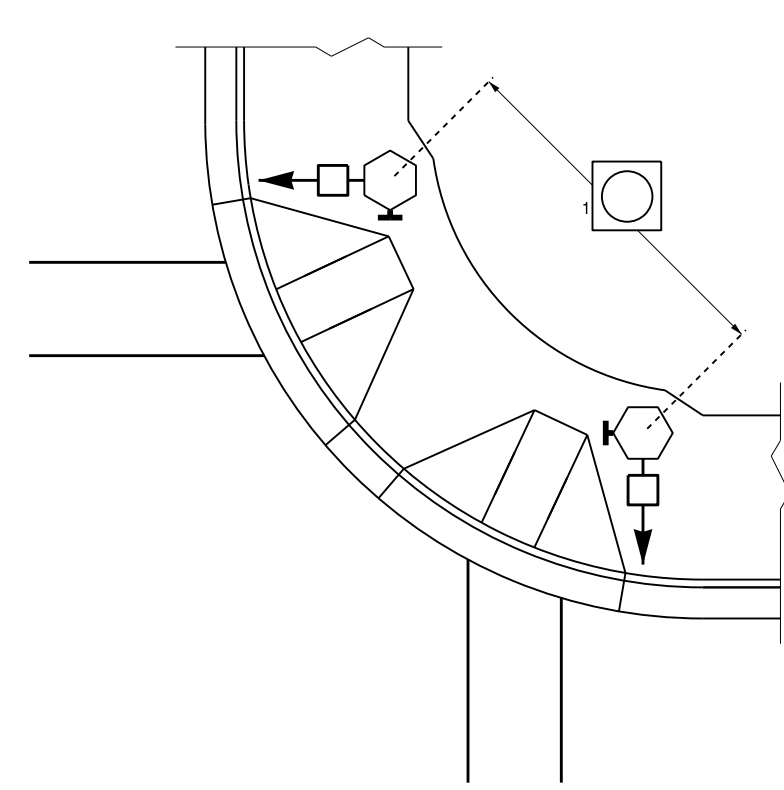
TYPICAL PUSHBUTTON LOCATIONS (CASE II)
 SEPARATE CURB RAMPS W/ TYPE II PEDESTALS



BACK OF SIDEWALK IS WITHIN 10' OF CURB OR PAVEMENT/SHOULDER

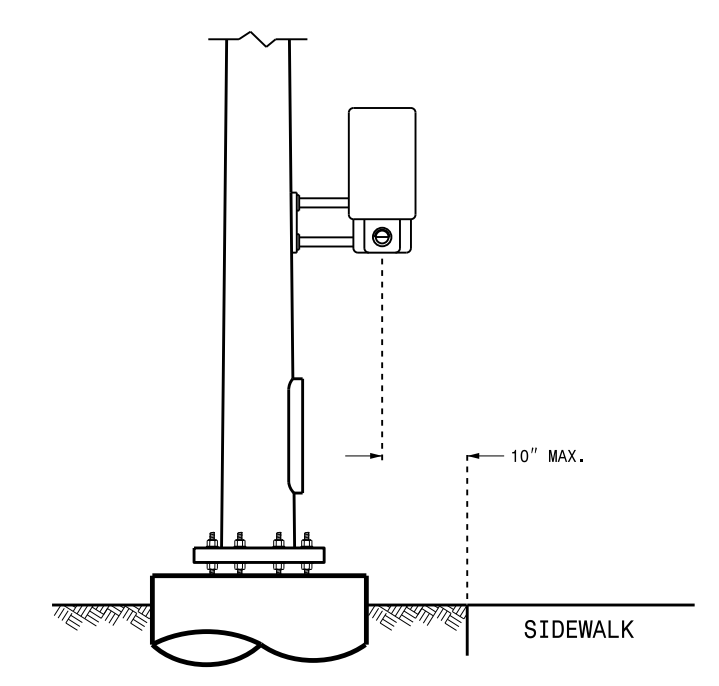


GRASS STRIP PLACEMENT IF BACK OF SIDEWALK EXCEEDS 10' FROM CURB OR PAVEMENT/SHOULDER



PUSHBUTTON PLACEMENT IN WIDE SIDEWALK

OPTIONAL PUSHBUTTON EXTENSION
 FACE OF PUSHBUTTON PARALLEL TO APPLICABLE CROSSWALK



STATE OF NORTH CAROLINA
 DEPT. OF TRANSPORTATION
 DIVISION OF HIGHWAYS
 RALEIGH, N.C.

ENGLISH DETAIL DRAWING FOR
PEDESTRIAN PUSHBUTTON LOCATIONS
 PLACEMENT DETAIL

SHEET 2 OF 3
1705D01

See Plate for Title

Prepared in the Offices of:

750 N. Greenfield Parkway
 Garner, NC 27529

SEAL

DocuSigned by:

 188B486274464

SIGNATURE

6/17/2014

DATE

06-AUG-2014 16:38
 S:\ITS\ASU\ITS_Signal\Signal Design Section\Central Region\Rob's Files\Red Stds\Pushbutton Drawings\Pushbutton Place Drawings\20140617.dgn
 rz1emba