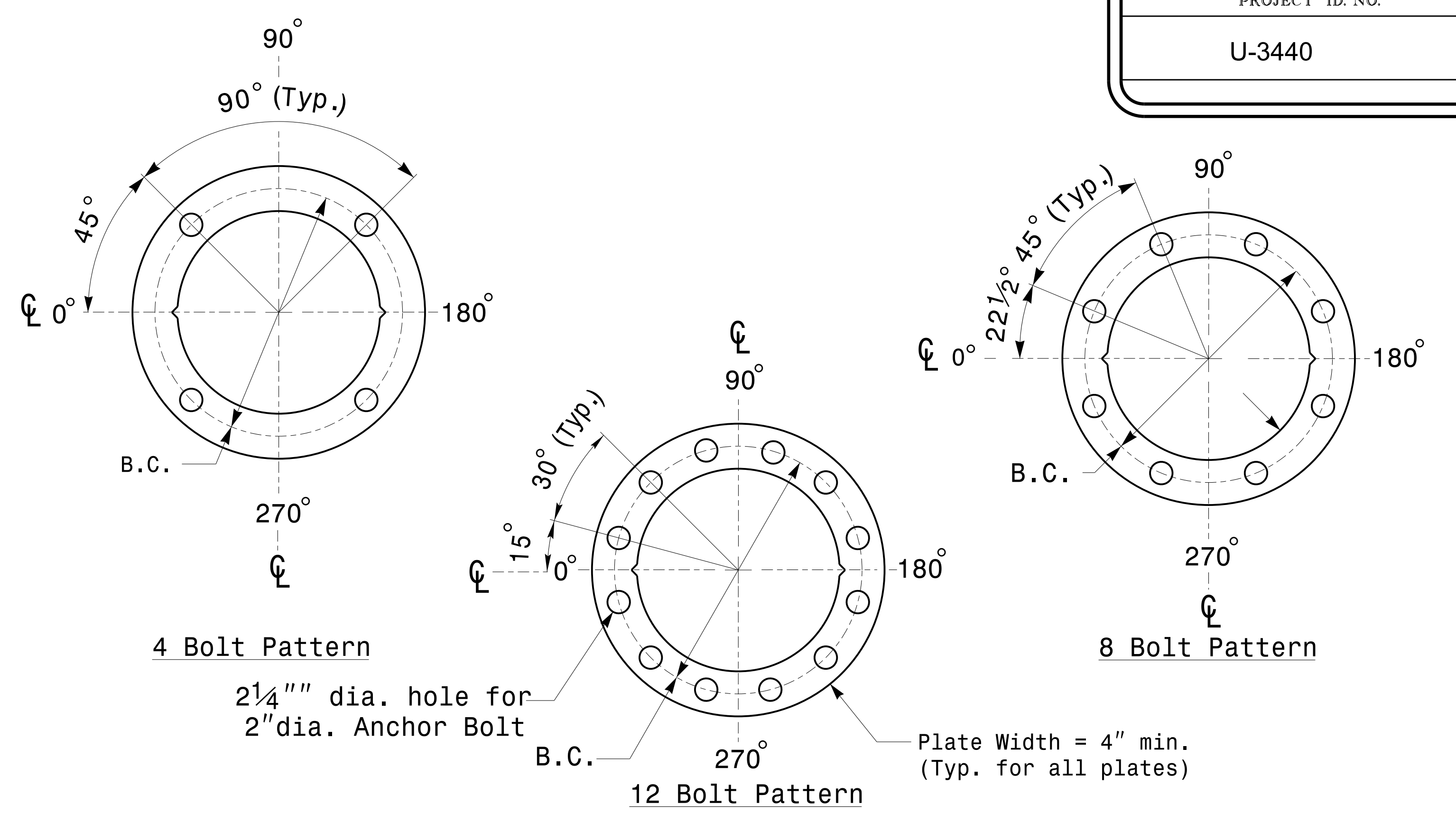


MFG _____	MFG. DATE: MM/YY _____
SHAFT D/T/L/Y _____	_____
ARM-A D/T/L/Y _____	_____
ARM-B D/T/L/Y _____	_____
A.B. DIA./B.C./L/Y _____	_____
NCDOT SIG. INV. NO. _____	_____
NCDOT POLE NO. _____	_____

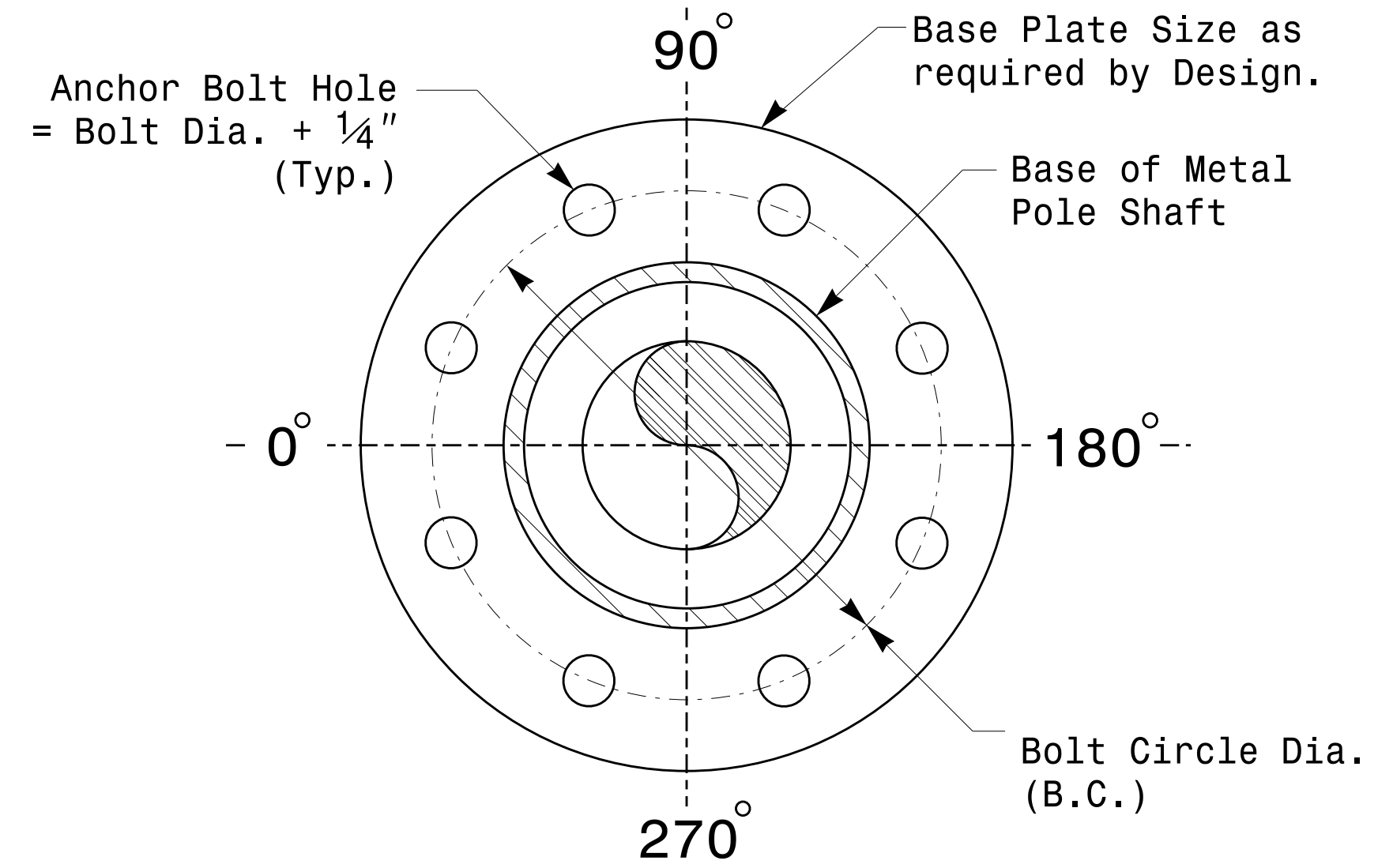
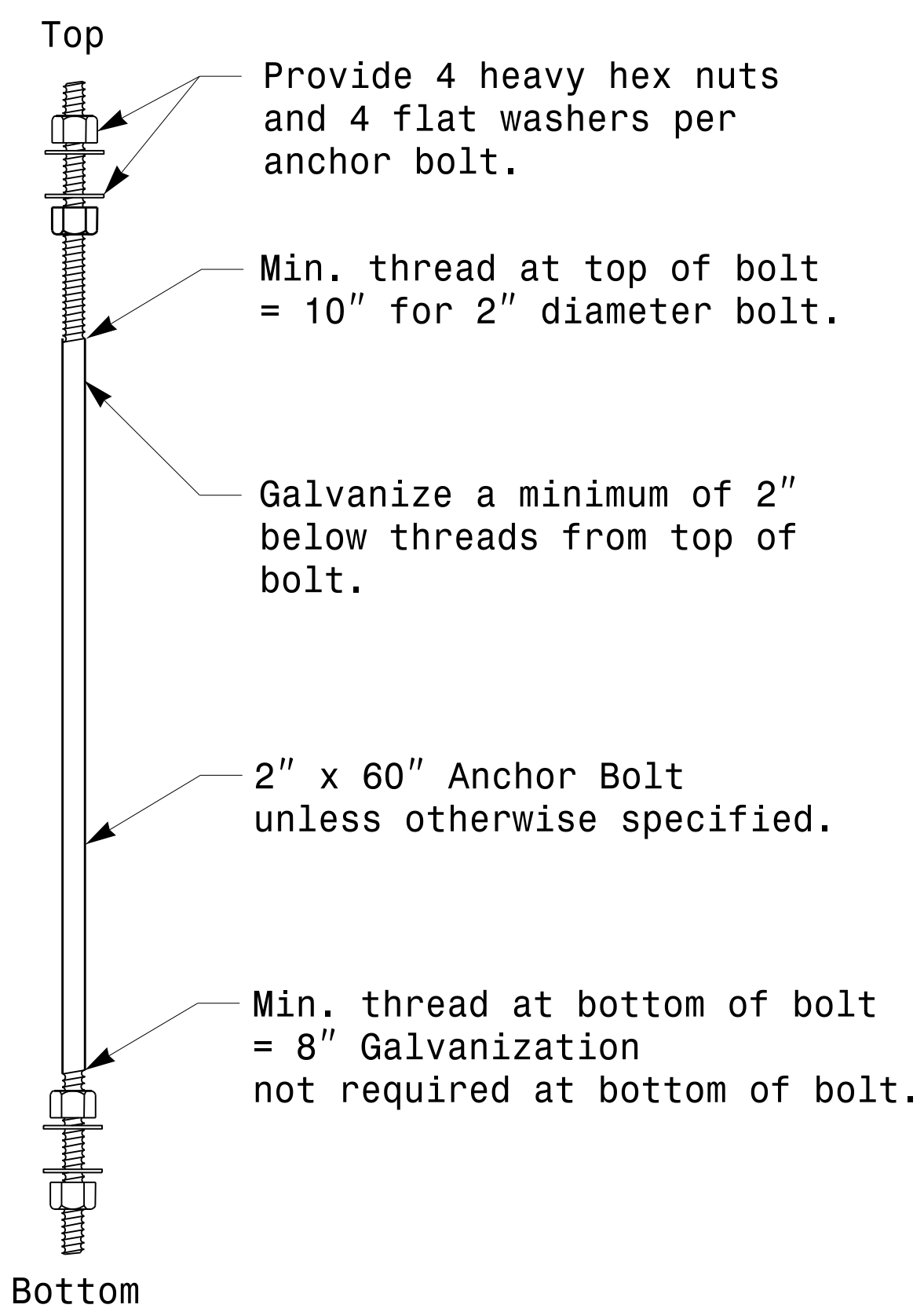
Shaft I.D. Tag
(Provide on Shaft of Strain Poles and Mast Arm Poles Shaft)

- Notes:
- 1) D= Diameter, T= Thickness, L= Length, Y= Yield Strength
 - 2) A.B. = Anchor Bolt
 - 3) B.C. = Bolt Circle of Anchor Bolts
 - 4) If Custom Design, use "NCDOT STANDARD" line for Signal Inv. Number and pole I.D. number
 - 5) See drawing M3 and M4 for mounting positions of I.D. tags.

Identification Tag Details



Construct Templates and Plates from 1/4" min. thick Steel. Galvanizing is not required.



Note: Base plate may be circular, octagonal, square or rectangular in shape.

Typical Base Plate Detail

Prepared in the Offices of:

750 N. Greenfield Pkwy, Garner, NC 27529

Typical Fabrication Details For All Metal Poles	
PLAN DATE: FEBRUARY 2016	DESIGNED BY: C.F. ANDREWS
PREPARED BY: N. BITTING	REVIEWED BY: D.C. SARKAR
REVISIONS	INITIALS DATE

SEAL

DocuSigned by: Debesh C. Sarkar

44E8E32E147E4C4...

2/17/2016 DATE

17-FEB-2016 16:02:31 TSC04115 Signal&Sign Design Section Eastern Region\MS\2016\2014_Sig_M2_Sha... Fabrication Detail-1s-4-11 Poles.dgn