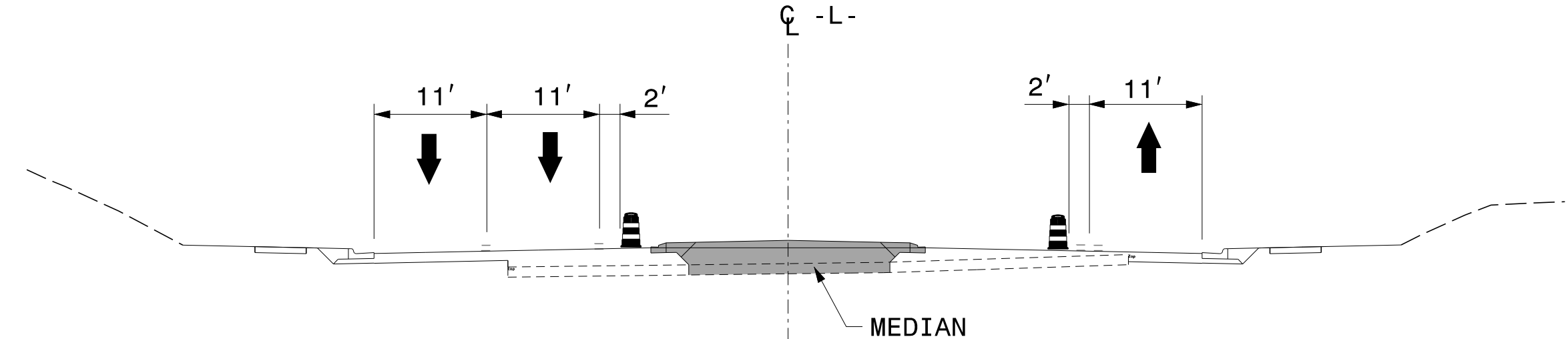
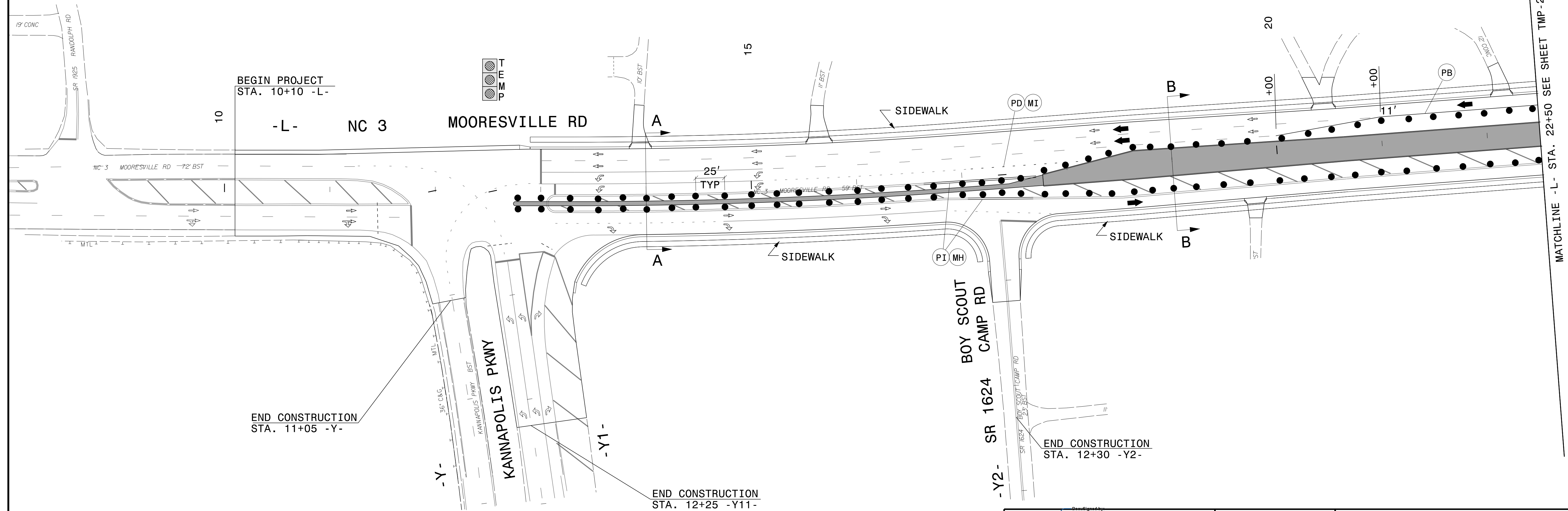


SECTION A-A
STA. 14+00



SECTION B-B
STA. 19+00



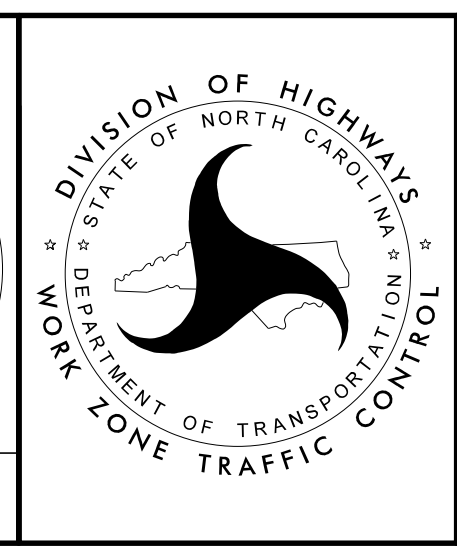
MATCHLINE -L- STA. 22+50 SEE SHEET TMP-27

8/17/2016 P:\TIP\Projects-U\3440\TrafficControl\TCP\tmp-4-phase3.dgn User:rmgarratt

APPROVED: *Steve Kite*
E27CE30E10FC442

DATE: 8/19/2016

**DOCUMENT NOT CONSIDERED FINAL
UNLESS ALL SIGNATURES COMPLETED**



PHASE III DETAILS