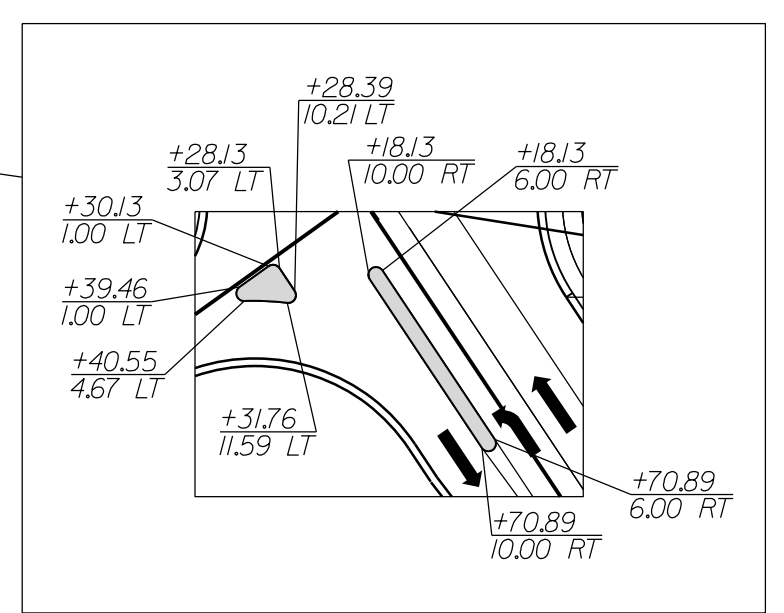
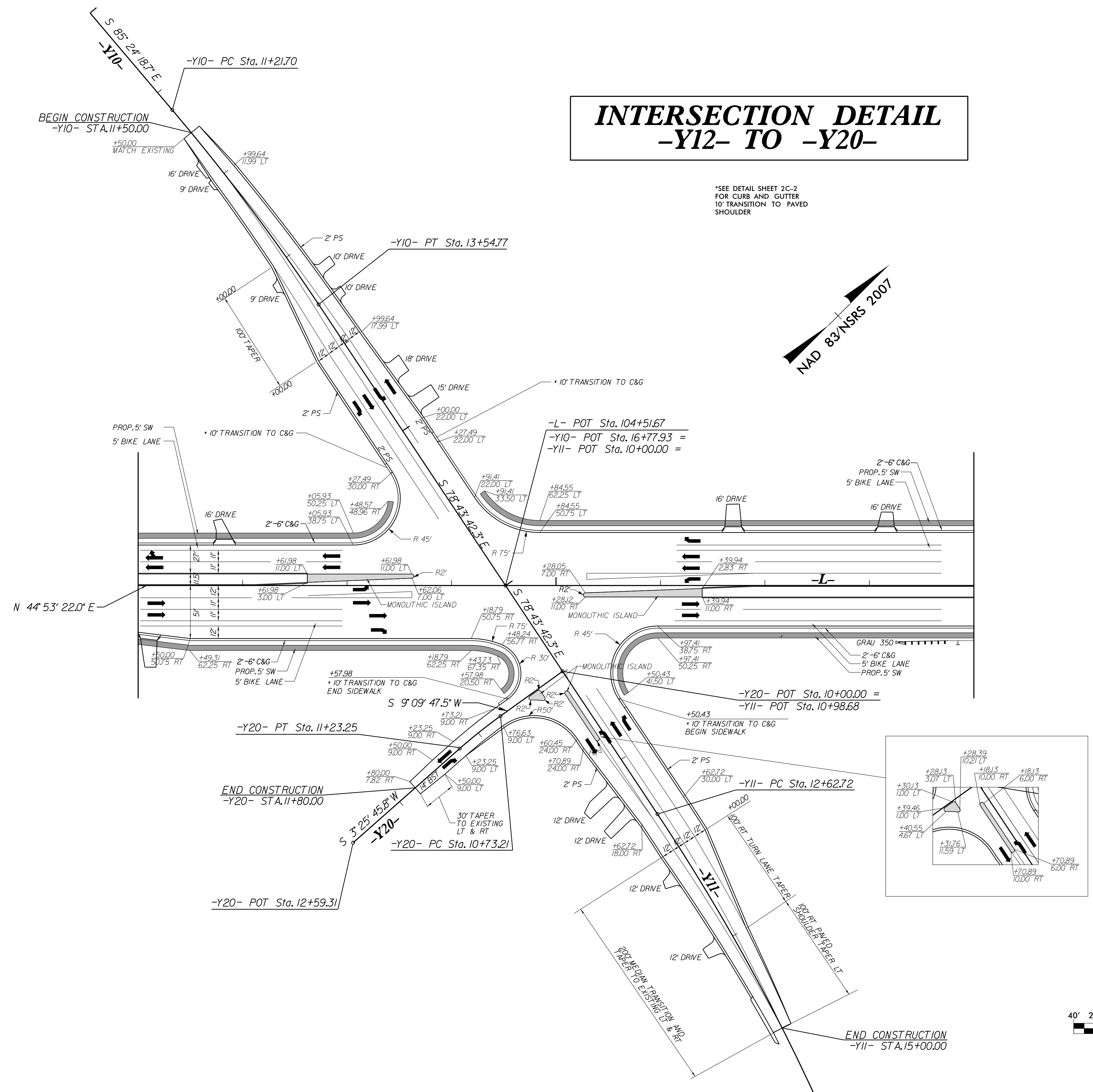
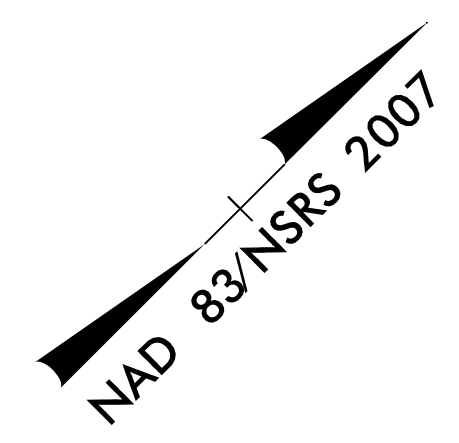


8/17/99

PROJECT REFERENCE NO. U-3440	SHEET NO. 2B-3
RW SHEET NO.	
ROADWAY DESIGN ENGINEER	
DOCUMENT NOT CONSIDERED FINAL UNLESS ALL SIGNATURES COMPLETED	

INTERSECTION DETAIL -Y12- TO -Y20-

*SEE DETAIL SHEET 2C-2
FOR CURB AND GUTTER
10' TRANSITION TO PAVED
SHOULDER



8/11/2016
 U:\Roadway\Proj\U-3440_rdy_psh_2B-3-Y10-Y11-Y12-detail.dgn
 8/17/2016