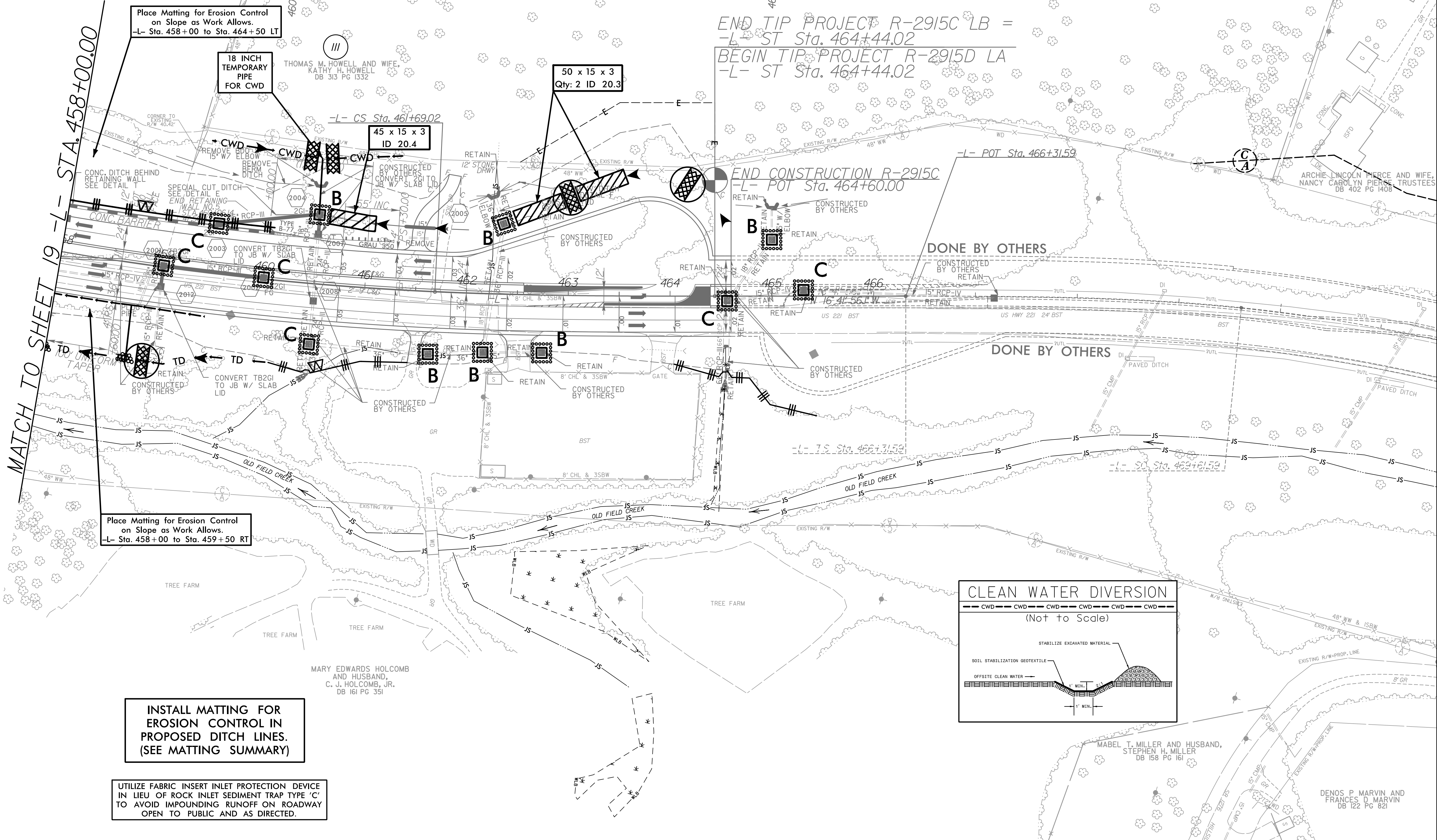
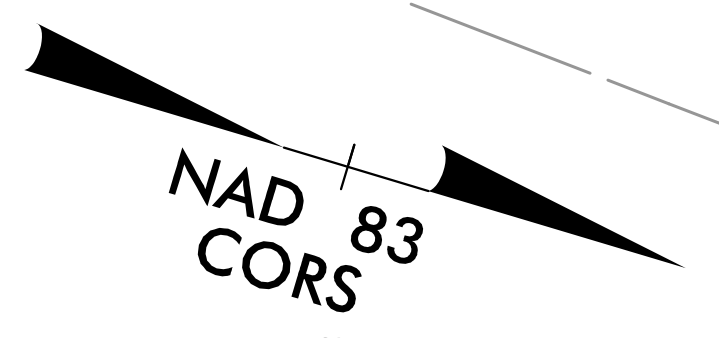
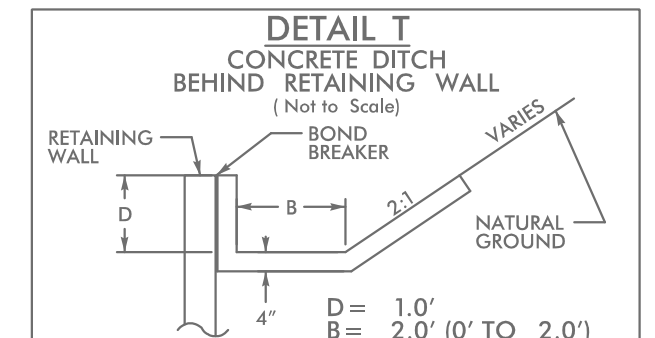
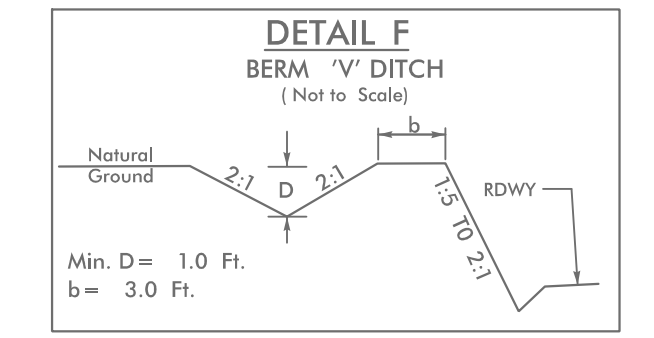
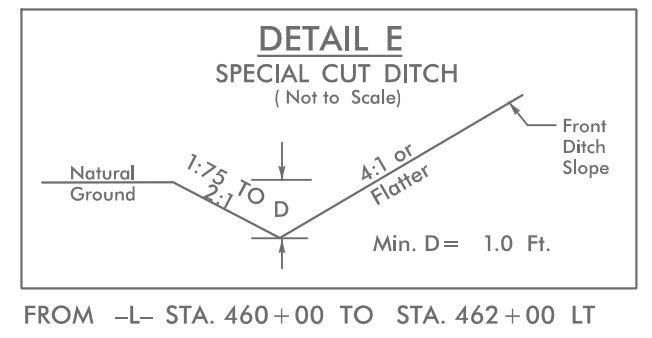


8/17/99

**HNTB** HNTB NORTH CAROLINA, P.C.  
343 E. Six Forks Road, Suite 200  
Raleigh, North Carolina 27609  
NC License No: C-1554

PROJECT REFERENCE NO. <i>R-2915C</i>	SHEET NO. <i>EC-40/CONST.20</i>
RW SHEET NO.	
ROADWAY DESIGN ENGINEER	HYDRAULICS ENGINEER



Place Matting for Erosion Control on Slope as Work Allows.  
-L- Sta. 458+00 to Sta. 464+50 LT

18 INCH TEMPORARY PIPE FOR CWD

50 x 15 x 3  
Qty: 2 ID 20.3

45 x 15 x 3  
ID 20.4

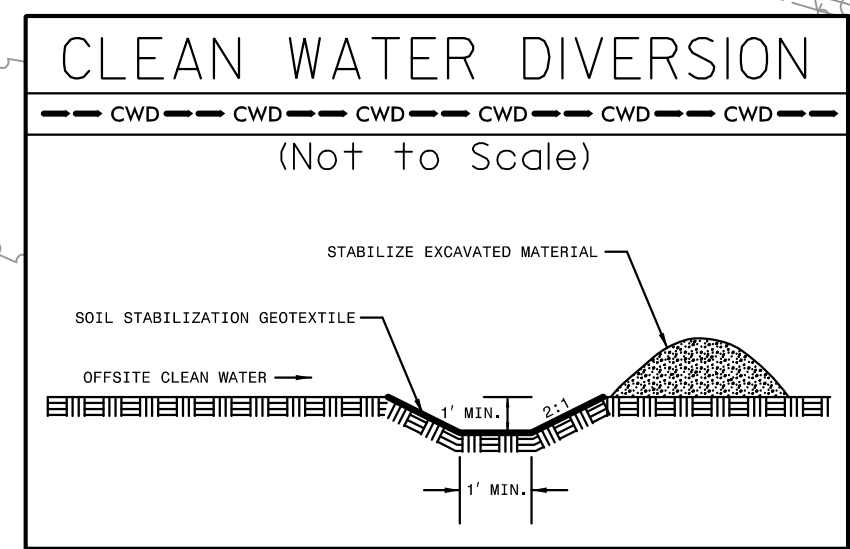
END TIP PROJECT R-2915C LB =  
-L- ST Sta. 464+44.02  
BEGIN TIP PROJECT R-2915D LA  
-L- ST Sta. 464+44.02

END CONSTRUCTION R-2915C  
-L- POT Sta. 464+60.00

Place Matting for Erosion Control on Slope as Work Allows.  
-L- Sta. 458+00 to Sta. 459+50 RT

INSTALL MATTING FOR EROSION CONTROL IN PROPOSED DITCH LINES.  
(SEE MATTING SUMMARY)

UTILIZE FABRIC INSERT INLET PROTECTION DEVICE IN LIEU OF ROCK INLET SEDIMENT TRAP TYPE 'C' TO AVOID IMPOUNDING RUNOFF ON ROADWAY OPEN TO PUBLIC AND AS DIRECTED.



REVISIONS

12.57.58.PV R-2915C.ec\_PSH20.dgn  
12/15/09 09:00 AM