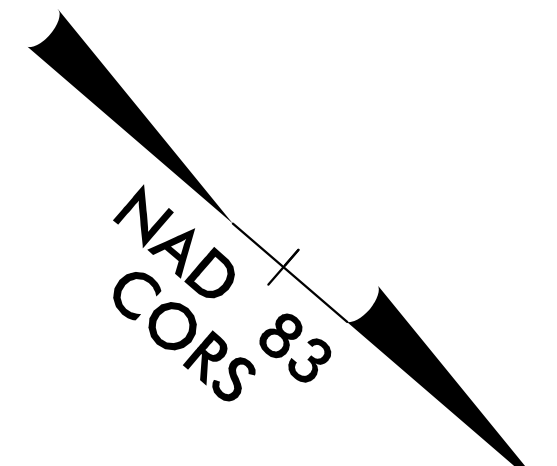
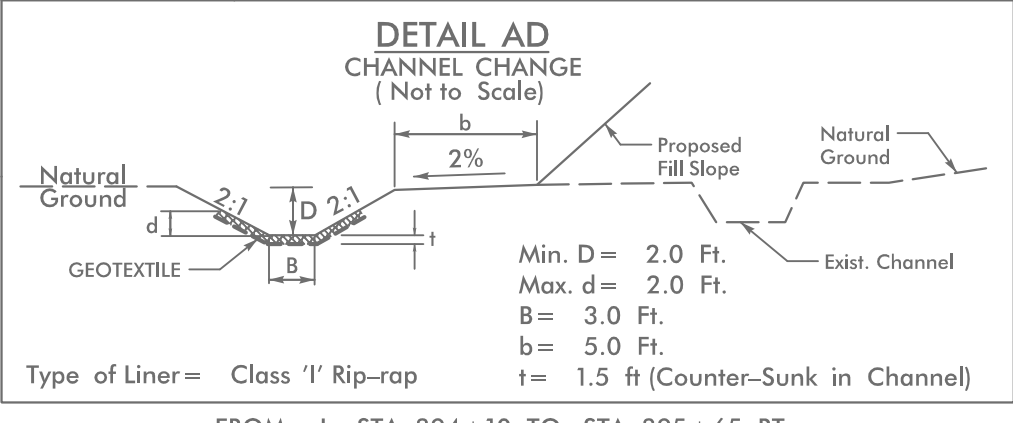
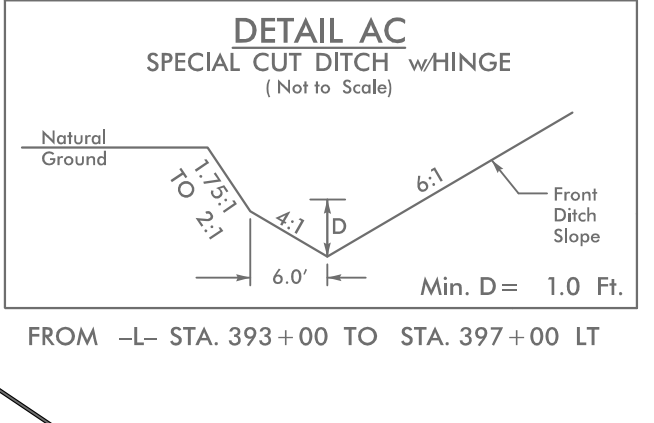
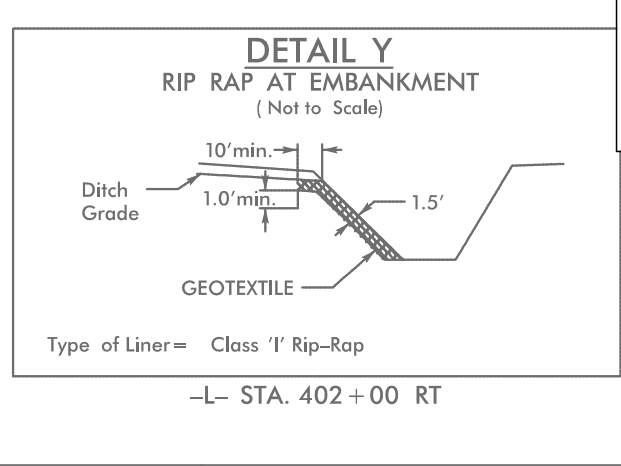
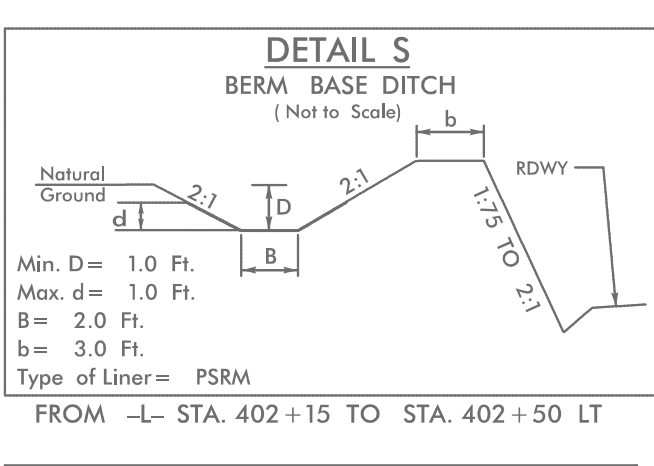
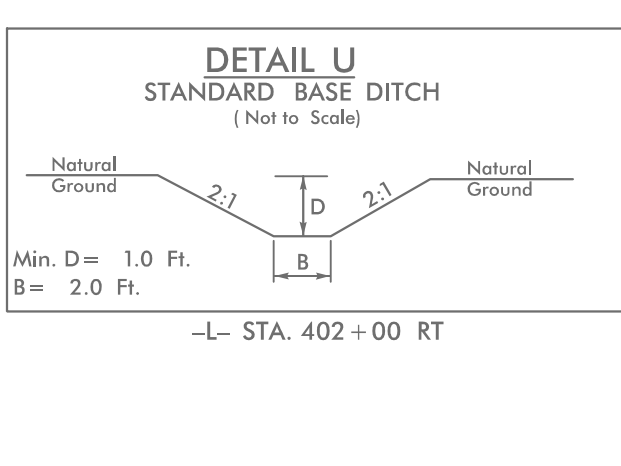
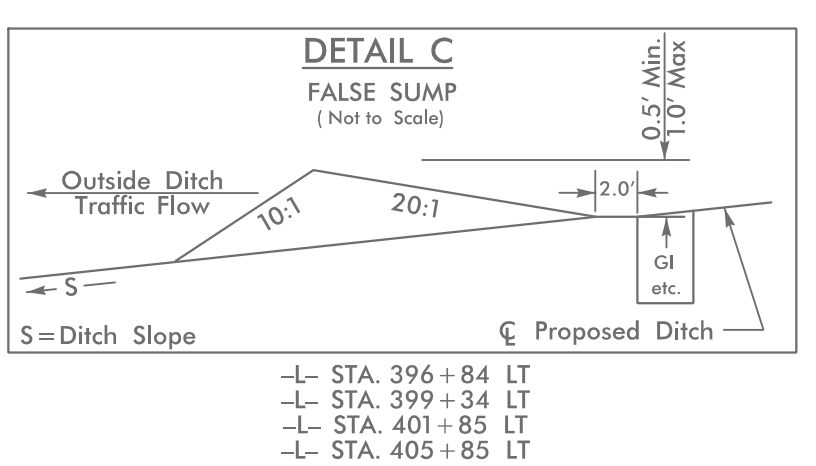


8/17/99

PROJECT REFERENCE NO. <i>R-2915C</i>	SHEET NO. <i>EC-35/CONST.15</i>
RW SHEET NO.	
ROADWAY DESIGN ENGINEER	HYDRAULICS ENGINEER

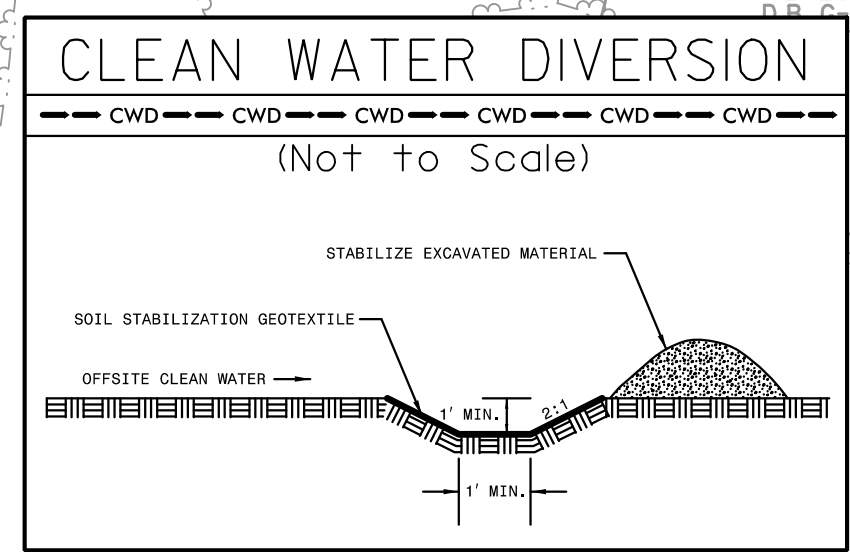


Place Matting for Erosion Control on Slope as Work Allows.
 -L- Sta. 393+00 to Sta. 407+00 LT

Place Matting for Erosion Control on Slope as Work Allows.
 -L- Sta. 393+00 to Sta. 396+50 RT

UTILIZE FABRIC INSERT INLET PROTECTION DEVICE IN LIEU OF ROCK INLET SEDIMENT TRAP TYPE 'C' TO AVOID IMPOUNDING RUNOFF ON ROADWAY OPEN TO PUBLIC AND AS DIRECTED.

INSTALL MATTING FOR EROSION CONTROL IN PROPOSED DITCH LINES. (SEE MATTING SUMMARY)



REVISIONS

MATCH TO SHEET 14 -L- STA. 393+00.00

STA 400.00 TO STA 407.00

12/29/35 PV
 R-2915C.ec_PSH15.dgn
 \$\$\$\$\$\$

