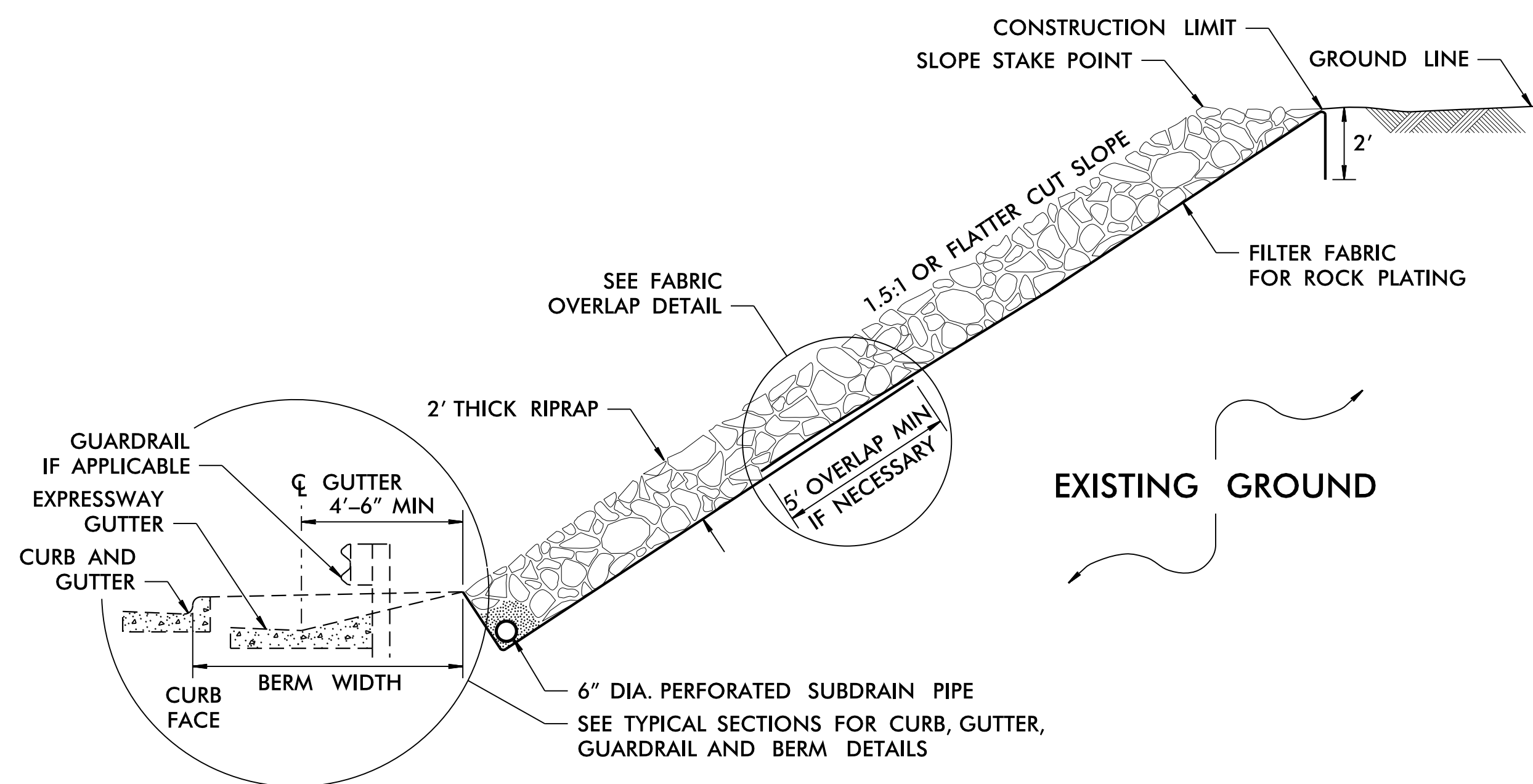


ROCK PLATING DETAIL NO. 3

USE ROCK PLATING DETAIL NO. 3 AT THE FOLLOWING LOCATIONS:

STA ± TO STA ±
EXTEND ROCK PLATING LIMITS TO SLOPES.

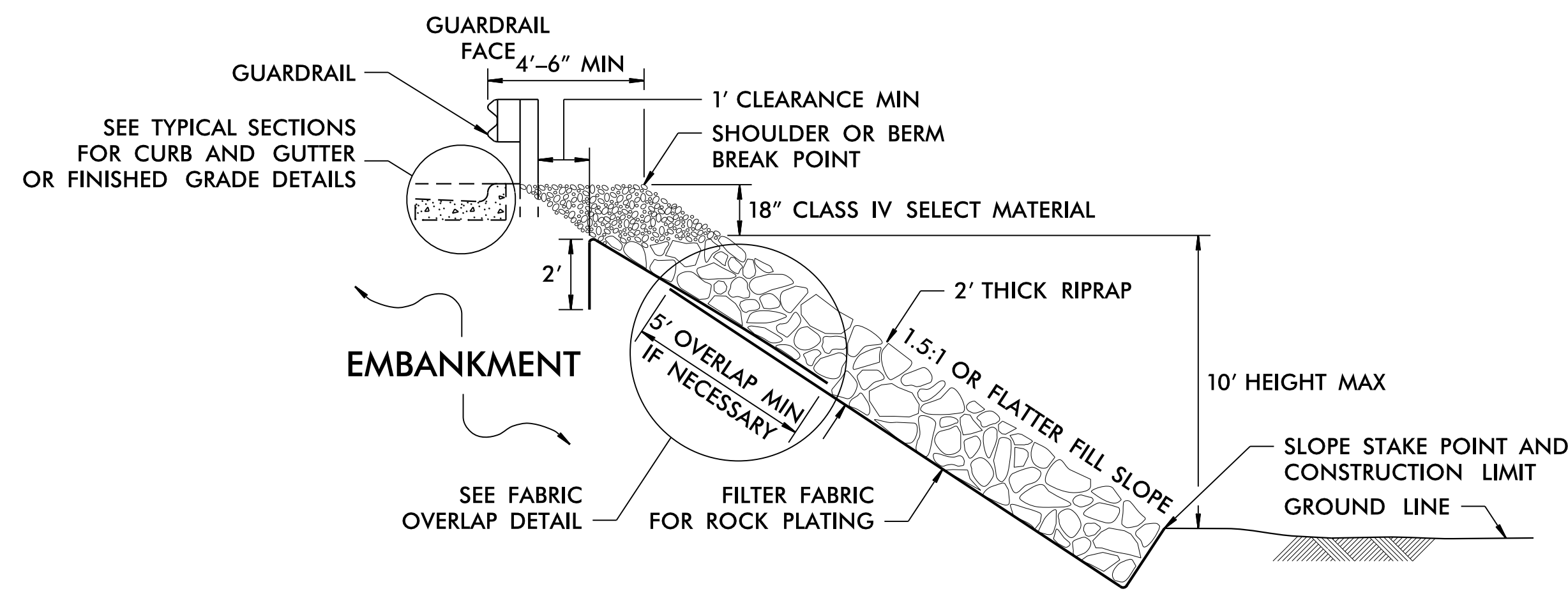


ROCK PLATING DETAIL NO. 4

USE ROCK PLATING DETAIL NO. 4 AT THE FOLLOWING LOCATIONS:

STA ± TO STA ±
EXTEND ROCK PLATING LIMITS TO SLOPES.

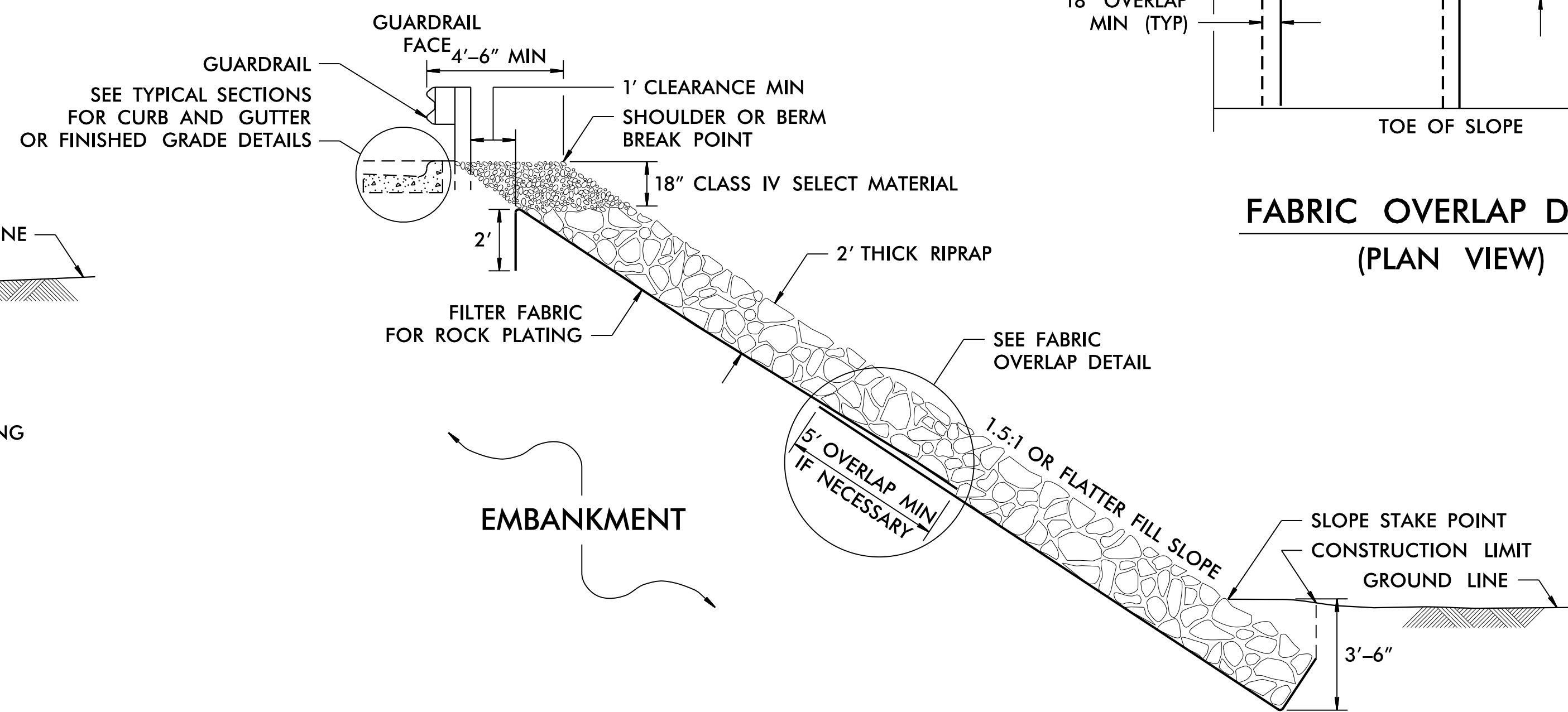
FOR ROCK PLATING, SEE ROCK PLATING SPECIAL PROVISION.



ROCK PLATING DETAIL NO. 1

USE ROCK PLATING DETAIL NO. 1 AT THE FOLLOWING LOCATIONS:

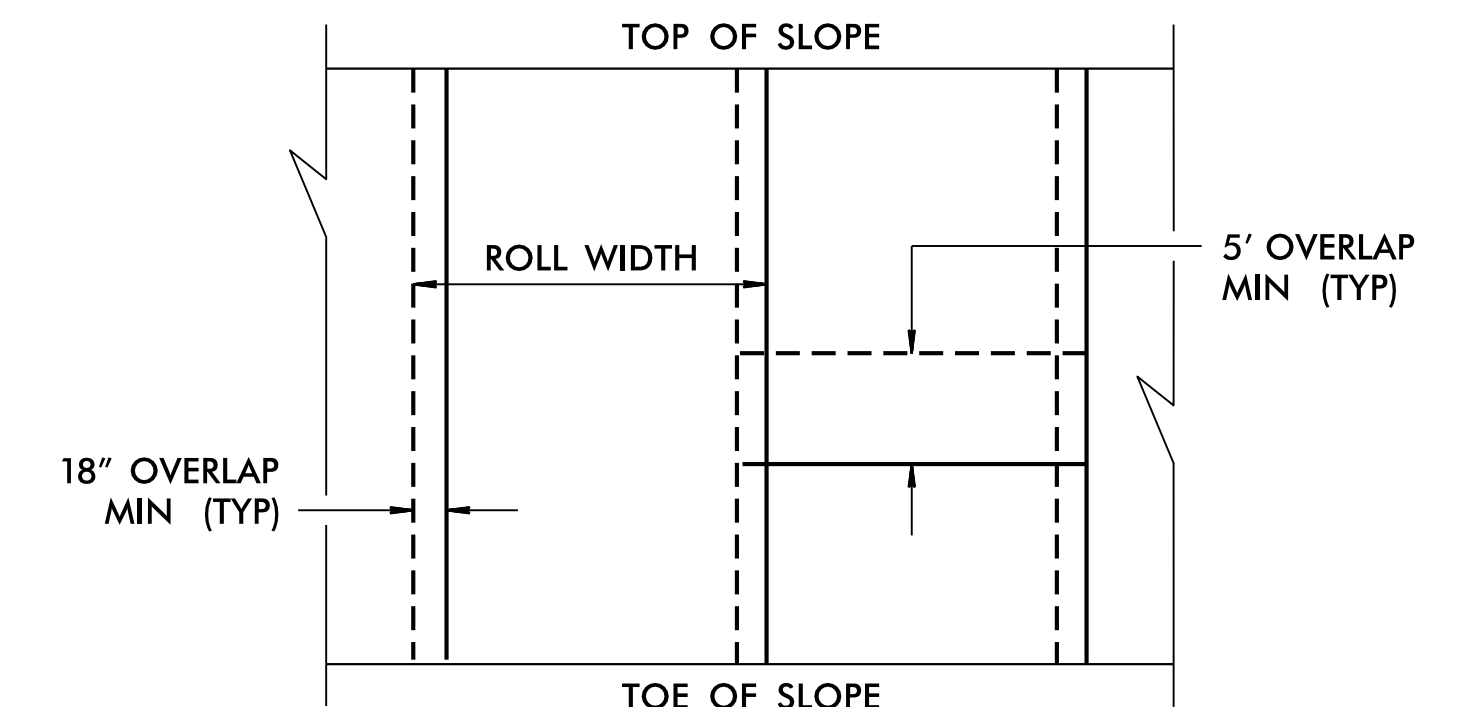
STA ± TO STA ±
EXTEND ROCK PLATING LIMITS TO SLOPES.



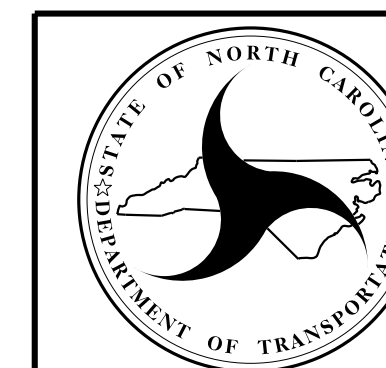
ROCK PLATING DETAIL NO. 2

USE ROCK PLATING DETAIL NO. 2 AT THE FOLLOWING LOCATIONS:

STA ± TO STA ±
EXTEND ROCK PLATING LIMITS TO SLOPES.



FABRIC OVERLAP DETAIL (PLAN VIEW)



GEOTECHNICAL ENGINEERING UNIT
STATE OF NORTH CAROLINA
DEPARTMENT OF TRANSPORTATION
RALEIGH

STANDARD DRAWING NO. 1802.01

ROCK PLATING DETAILS

DATE: 12-16-08