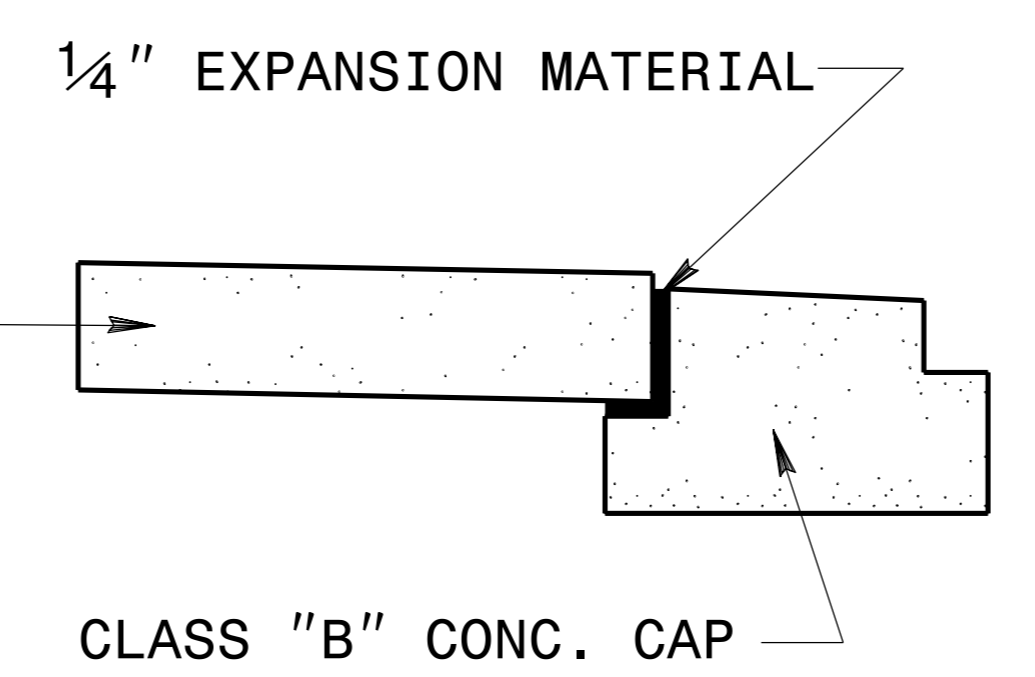
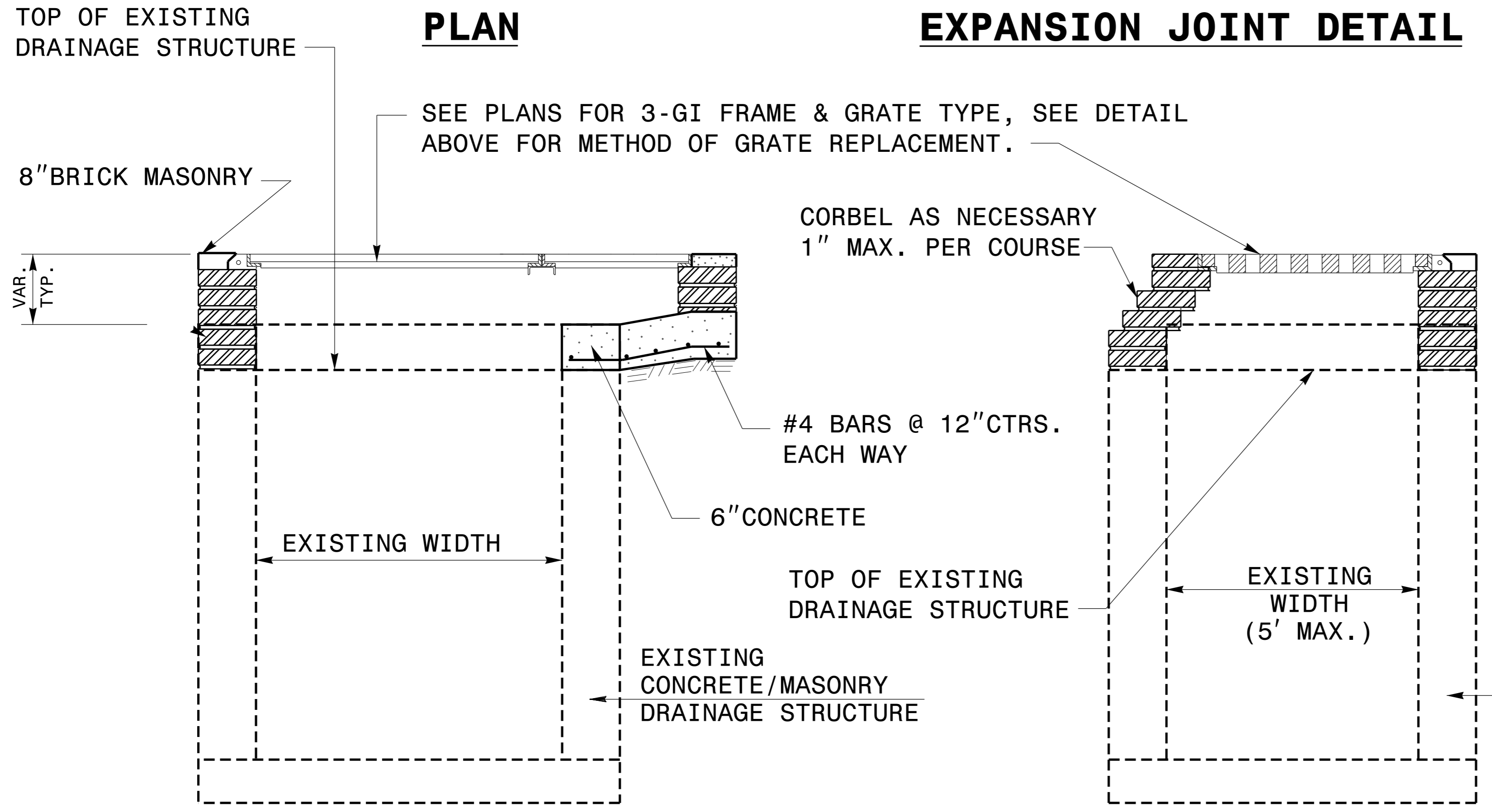


PLAN



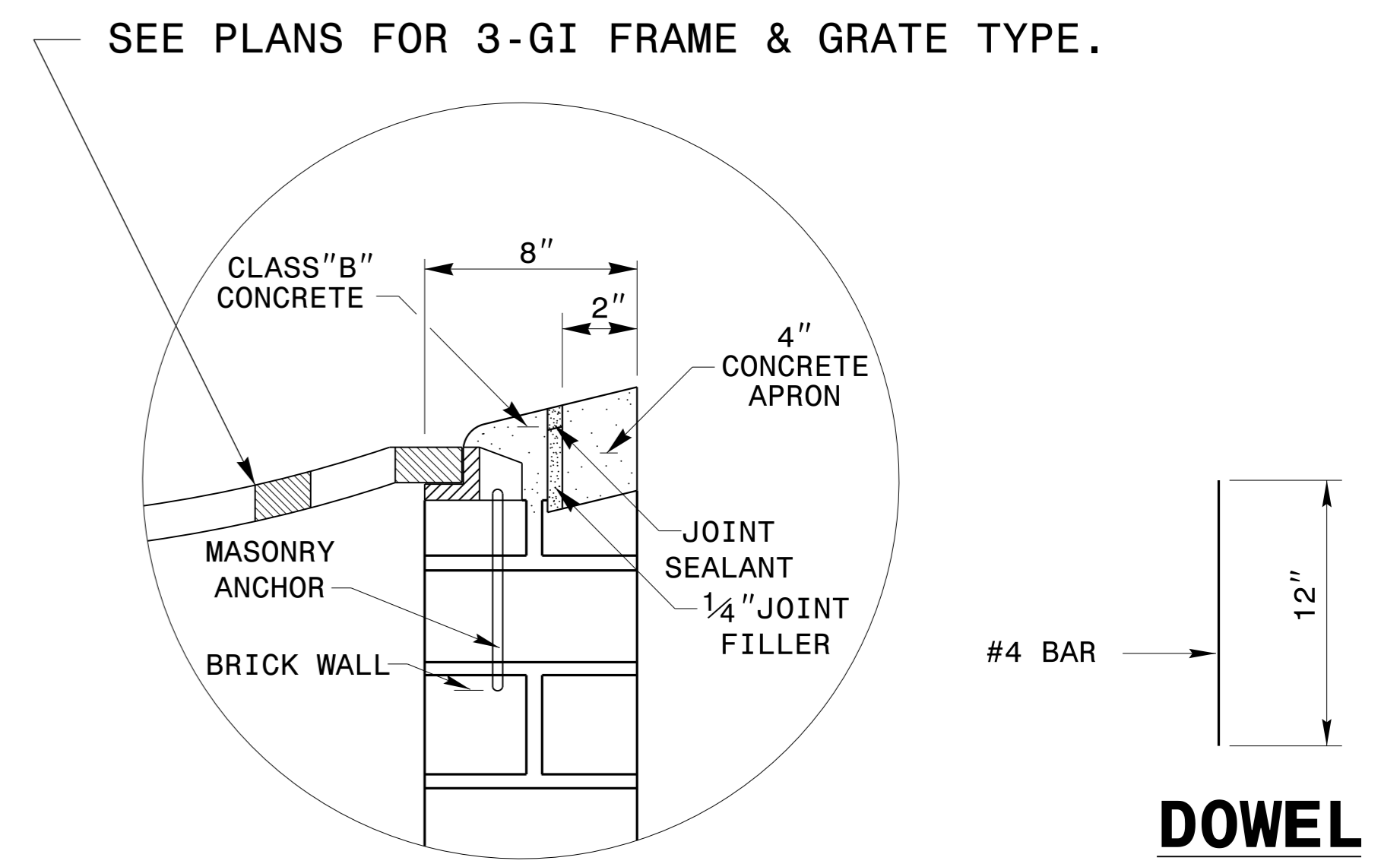
EXPANSION JOINT DETAIL

- GENERAL NOTES:**
- CONSTRUCT IN ACCORDANCE WITH SECTION 859 OF THE NCDOT STANDARDS AND SPECIFICATIONS.
 - USE CLASS "B" CONCRETE.
 - THE DIMENSIONS FOR THE EXISTING BOX ARE APPROXIMATE AND MAY VARY SLIGHTLY.
 - JUMBO CONCRETE BRICK WILL BE PERMITTED. 4" CONCRETE BRICK OR 8" SOLID CONCRETE BLOCK ARE REQUIRED FOR DRAINAGE STRUCTURE.
 - INCLUDE CONCRETE APRON IN UNIT PRICE BID PER EACH. CONVERT EXISTING DROP INLET TO 3-GRATE INLET AS NEEDED.
 - CONFIRM DIMENSIONS ON EACH INDIVIDUAL FRAME AND GRATE PROPOSAL.
 - SEE STANDARD DRAWING NO.840.25 FOR MASONRY ANCHORAGE.
 - SEE STANDARD DRAWING NO.840.17 FOR CONCRETE APRON AND 3-GRATE INLET

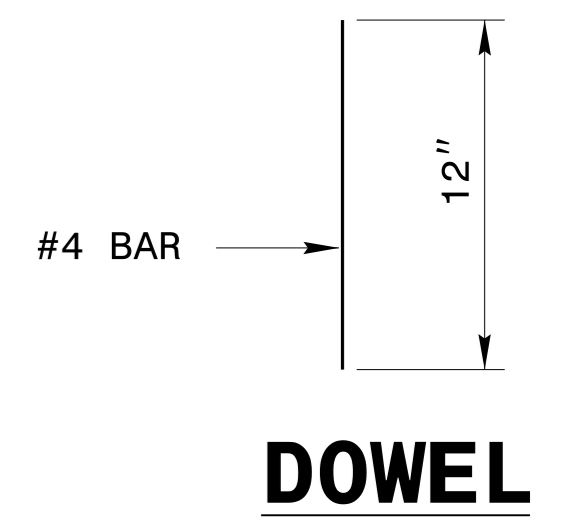


SECTION X-X

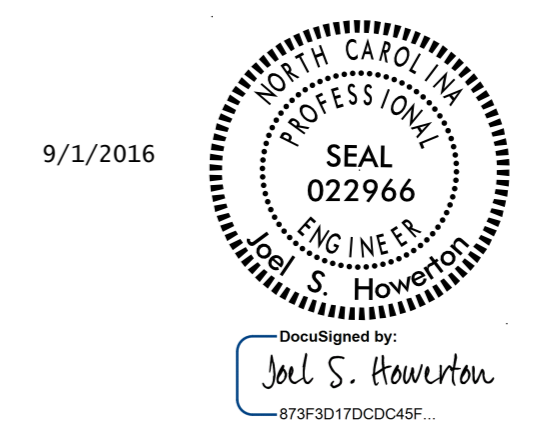
SECTION Y-Y



GRATE PLACEMENT DETAIL



DOWEL



CONTRACT STANDARDS AND DEVELOPMENT UNIT	
Office 919-707-6950	FAX 919-250-4119
DETAIL TO CONVERT EXISTING DI, TO 3-GI	
ORIGINAL BY: E.E. WARD	DATE: 11-97
MODIFIED BY: rnbritt	DATE: 06-01-2016
CHECKED BY: jhowerton	DATE: 06-01-2016
FILE SPEC.: details/nbritt/english/rural/r2915c exist di to 3gi.dgn	

DOCUMENT NOT CONSIDERED FINAL UNLESS ALL SIGNATURES COMPLETED

5/14/99
C:\P\2016\CON\CON\USER\NAME.dwg