

STATE OF NORTH CAROLINA  
DEPT. OF TRANSPORTATION  
DIVISION OF HIGHWAYS  
RALEIGH, N.C.

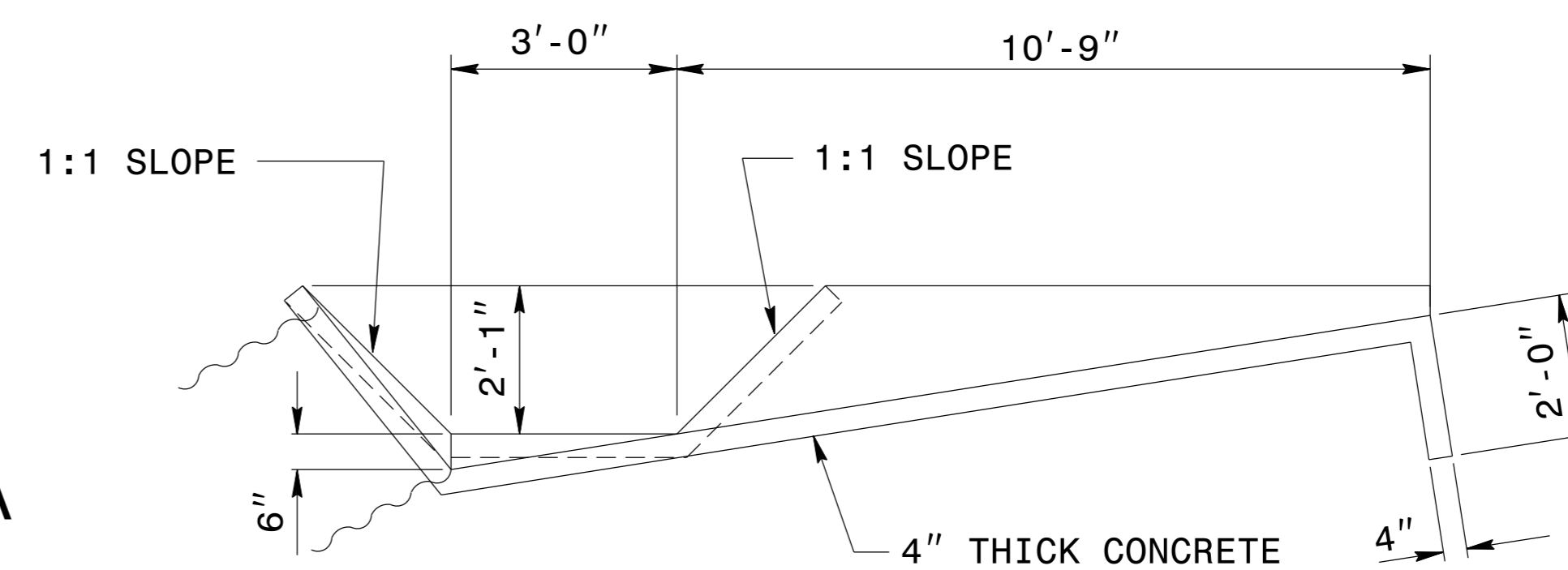
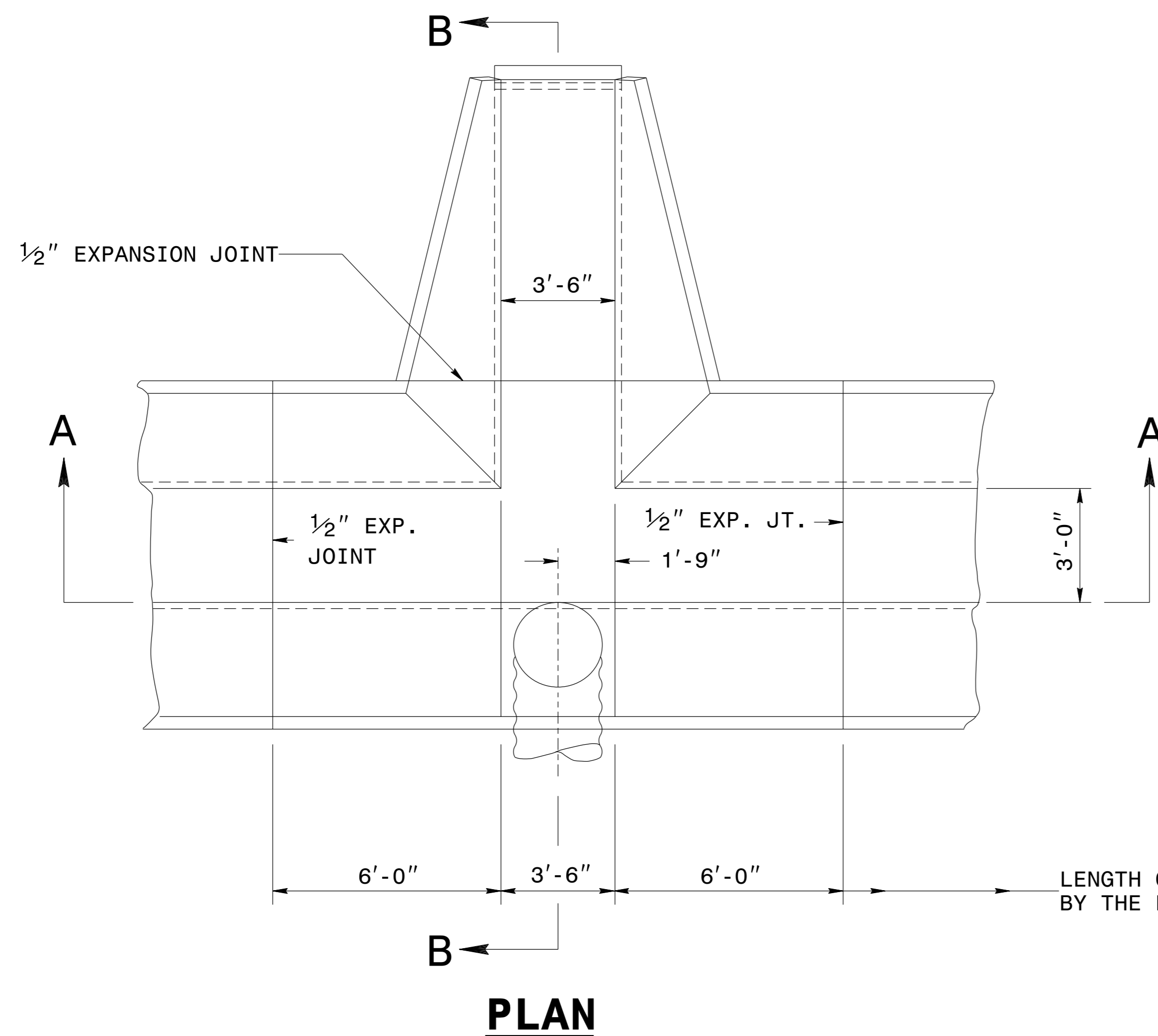
STATE OF NORTH CAROLINA  
DEPT. OF TRANSPORTATION  
DIVISION OF HIGHWAYS  
RALEIGH, N.C.

ENGLISH DETAIL DRAWING FOR  
**GUIDE FOR BERM DRAINAGE OUTLET**  
36" PIPE

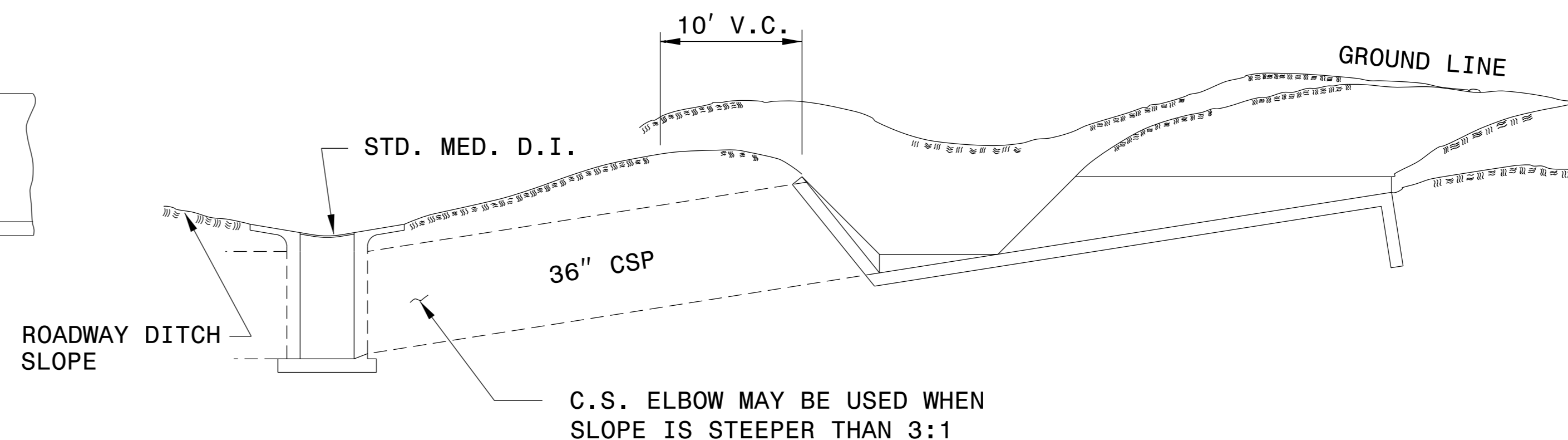
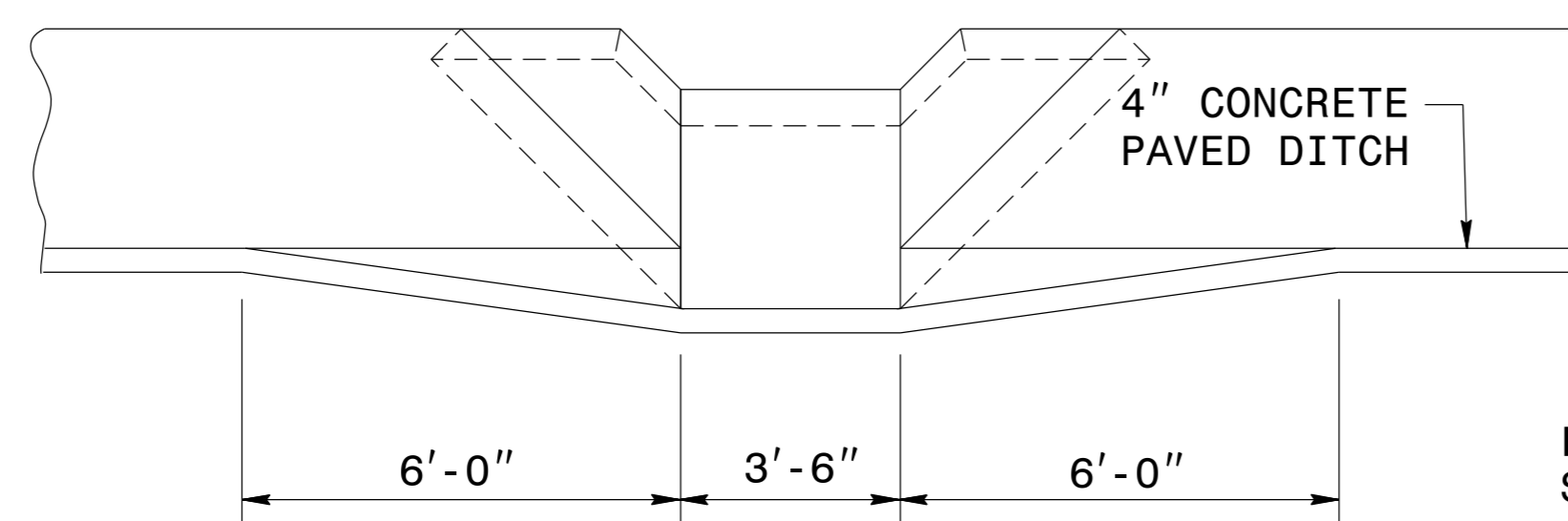
ENGLISH DETAIL DRAWING FOR  
**GUIDE FOR BERM DRAINAGE OUTLET**  
36" PIPE

SHEET 1 OF 1  
**850D11**

SHEET 1 OF 1  
**850D11**



GENERAL NOTES:  
WHERE NECESSARY, ELBOWS MAY BE USED TO SKEW PIPE TO FIT INLETS WHERE THERE IS OFFSET BETWEEN THE INLET END AT BERM AND THE D.I.



9/1/2016



DocuSigned by:  
Joel S. Howerton  
873F3D17DCC45F

DOCUMENT NOT CONSIDERED FINAL  
UNLESS ALL SIGNATURES COMPLETED

CONTRACT STANDARDS  
AND DEVELOPMENT UNIT  
Office 919-707-6950 FAX 919-250-4119

**SEE PLATE FOR TITLE**

ORIGINAL BY: 2002 STANDARDS DATE: 01-15-02  
MODIFIED BY: E.E. WARD DATE: 10-26-04  
CHECKED BY: DATE:  
FILE SPEC.: usr/details/stand/850d01.dgn

850D11.dwg 9/1/2016 10:00 AM