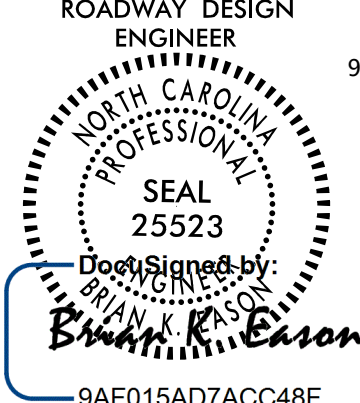


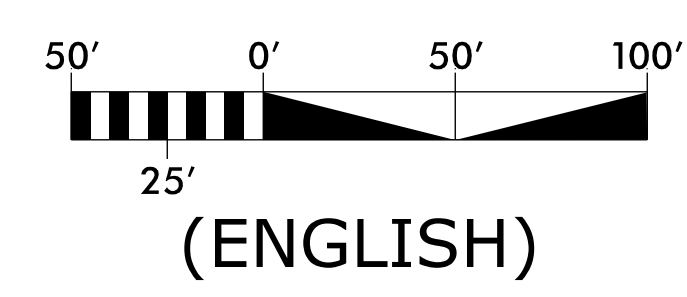
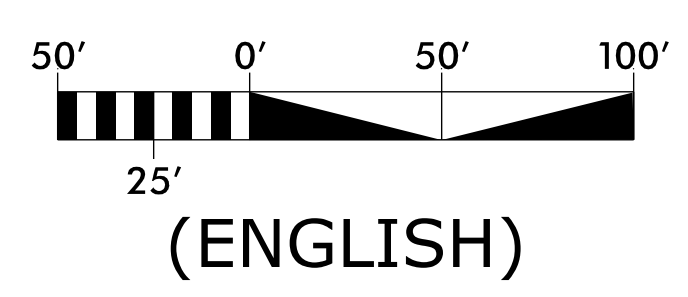
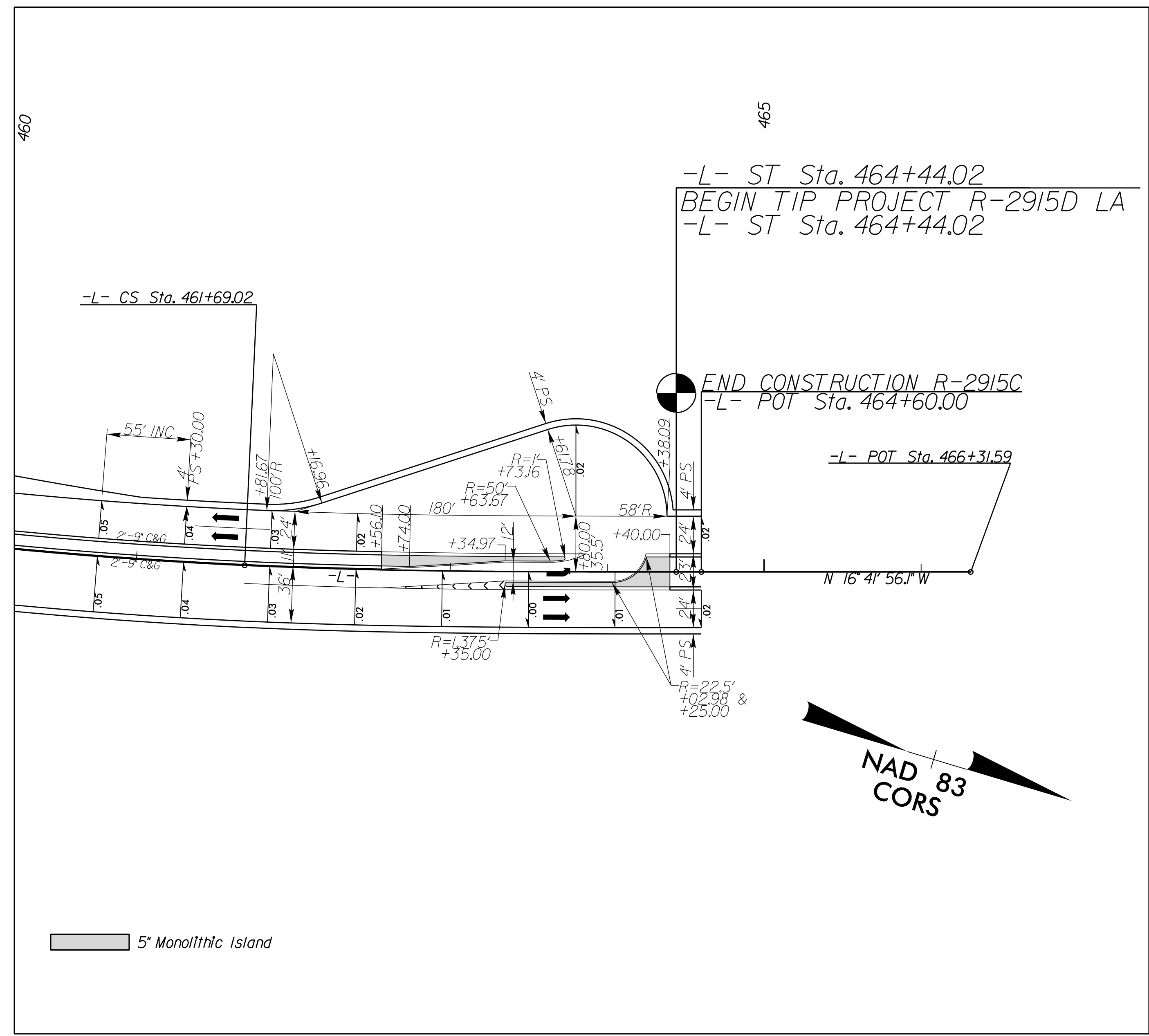
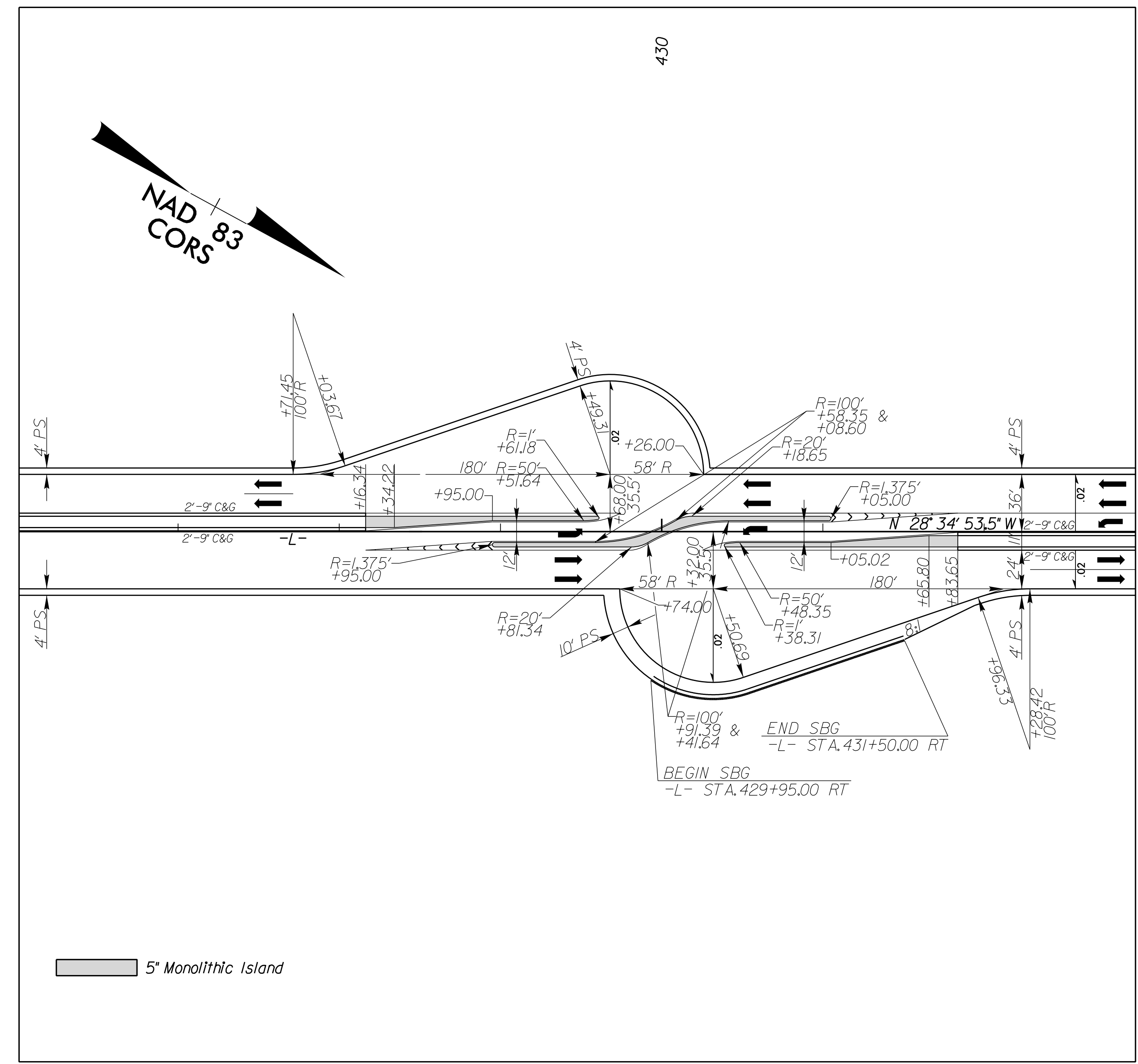
8/17/99

LOCHNER
 H. W. LOCHNER, INC.
 2840 PLAZA PLACE, SUITE 202
 RALEIGH, NC 27612
 (919)571-7111
 NC License Number F-0159

PROJECT REFERENCE NO. R-2915C	SHEET NO. 2B-13
RW SHEET NO.	
ROADWAY DESIGN ENGINEER 9/1/2016	
	
DOCUMENT NOT CONSIDERED FINAL UNLESS ALL SIGNATURES COMPLETED	

DETAIL SHOWING
 INTERSECTION OF -L- (US 221) AT JUG HANDLES

DETAIL SHOWING
 INTERSECTION OF -L- (US 221) AT JUG HANDLE



-L- PIs Sta 455+79.18 Θs = 2° 37' 33.8" Ls = 275.00' LT = 183.35' ST = 91.69'	-L- PI Sta 459+20.50 Δ = 9° 30' 53.1" (LT) D = 1' 54" 35.5" L = 498.19' T = 249.67' R = 3,000.00' SE = .05 Ro = See Plans	-L- PIs Sta 462+60.70 Θs = 2° 37' 33.8" Ls = 275.00' LT = 183.35' ST = 91.69'
--	---	--

SEE SHEET 17 FOR ROADWAY PLAN VIEW

SEE SHEET 20 FOR ROADWAY PLAN VIEW

01-SEP-2016 13:26
 R:\Projects\2915C\rdw\PSH02B-13.dgn
 \$\$\$\$