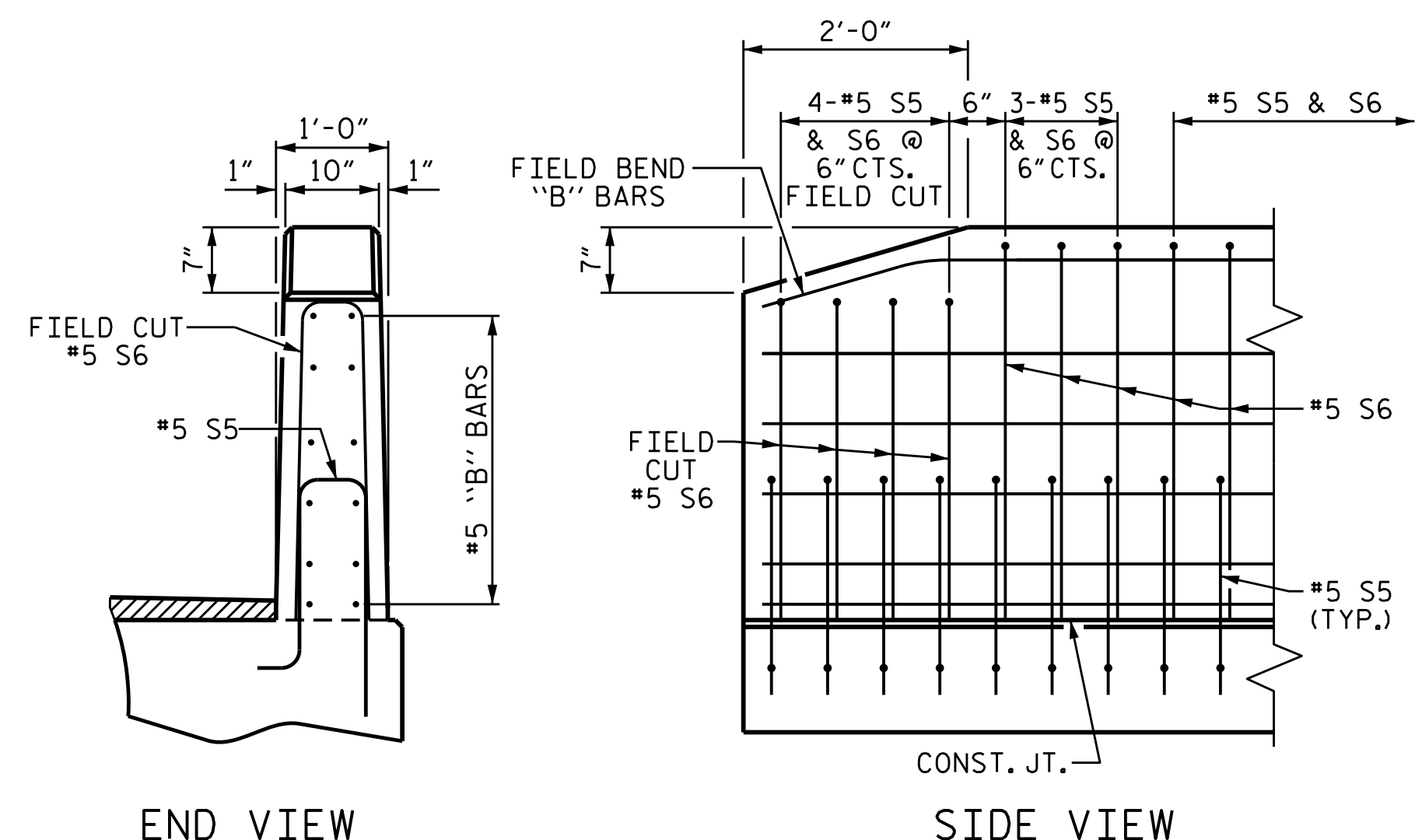
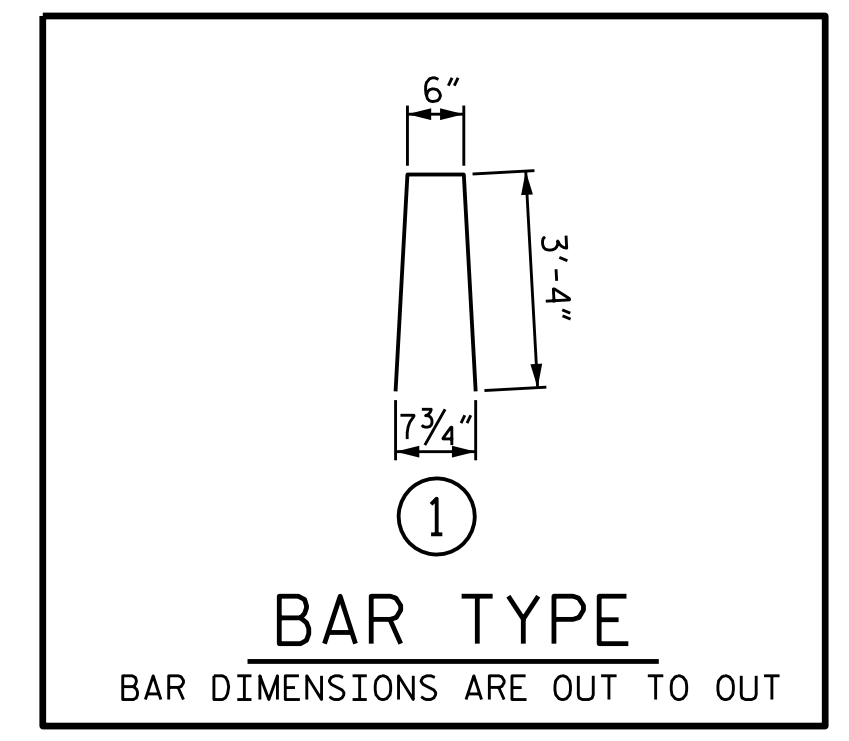


**ELASTOMERIC BEARING DETAILS**  
ELASTOMER IN ALL BEARINGS SHALL BE 60 DUROMETER HARDNESS.



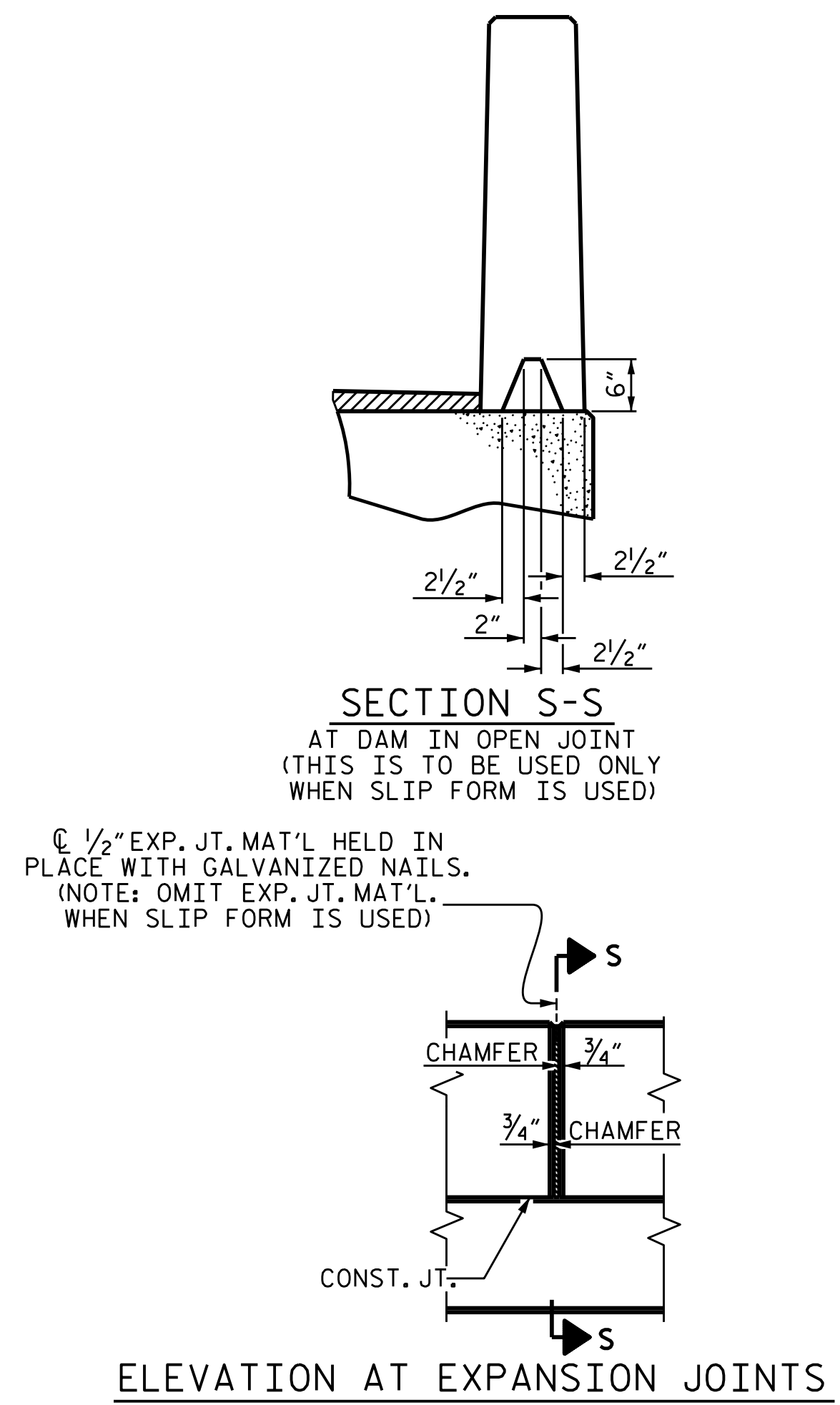
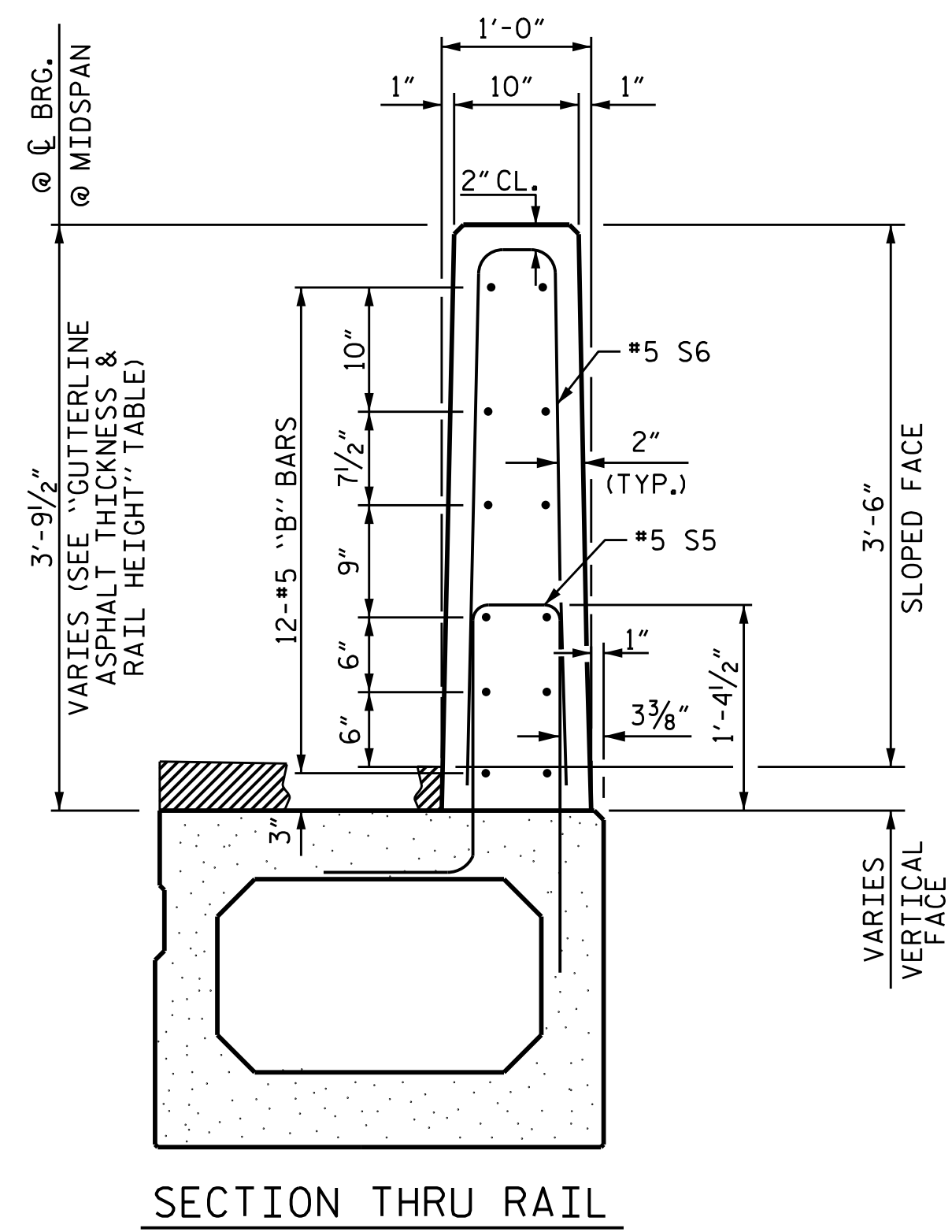
**END OF RAIL DETAILS**

BOX BEAM UNITS REQUIRED			
	NUMBER	LENGTH	TOTAL LENGTH
EXTERIOR B.B.	2	95'-0"	190'-0"
INTERIOR B.B.	9	95'-0"	855'-0"
TOTAL	11		1045'-0"



BILL OF MATERIAL FOR VERTICAL CONCRETE BARRIER RAIL					
BAR	BARS PER PAIR OF EXTERIOR UNITS	SIZE	TYPE	LENGTH	WEIGHT
	95' UNIT				
* B11	96	#5	STR	23'-4"	2336
* S6	264	#5	1	7'-2"	1973
* EPOXY COATED REINFORCING STEEL				LBS.	4309
CLASS AA CONCRETE				CU.YDS.	24.6
TOTAL VERTICAL CONCRETE BARRIER RAIL				LN. FT.	190.0

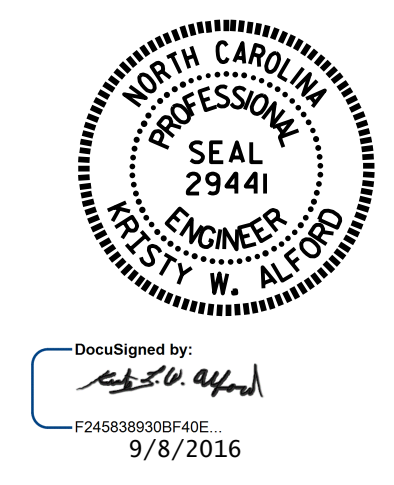
GUTTERLINE ASPHALT THICKNESS & RAIL HEIGHT		
	ASPHALT OVERLAY THICKNESS @ MID-SPAN	RAIL HEIGHT @ MID-SPAN
95' UNITS	2 3/8"	3'-8 3/8"



**ELEVATION AT EXPANSION JOINTS**

**VERTICAL CONCRETE BARRIER RAIL DETAILS**

ASSEMBLED BY : M.M. AHMED	DATE : 3-21-16
CHECKED BY : J.P. ADAMS	DATE : 2/2016
DRAWN BY : DGE IO/II	REV. 4/15
CHECKED BY : TMG II/II	MAA/TMG



DOCUMENT NOT CONSIDERED FINAL UNLESS ALL SIGNATURES COMPLETED

PROJECT NO. B-4945  
VANCE COUNTY  
STATION: 16+89.00 -L-  
SHEET 5 OF 5

STATE OF NORTH CAROLINA DEPARTMENT OF TRANSPORTATION RALEIGH STANDARD 3'-0" X 3'-3" PRESTRESSED CONCRETE BOX BEAM UNIT					
REVISIONS					SHEET NO.
NO.	BY:	DATE:	NO.	BY:	DATE:
1			3		
2			4		
					S-8
					TOTAL SHEETS 15