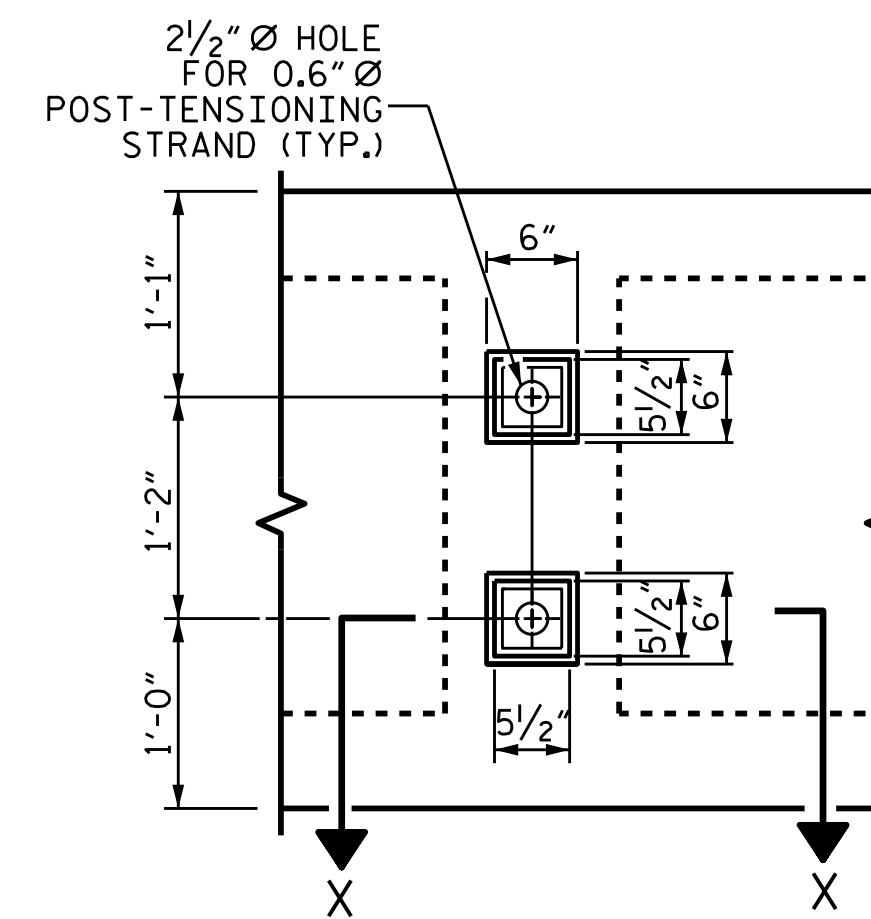
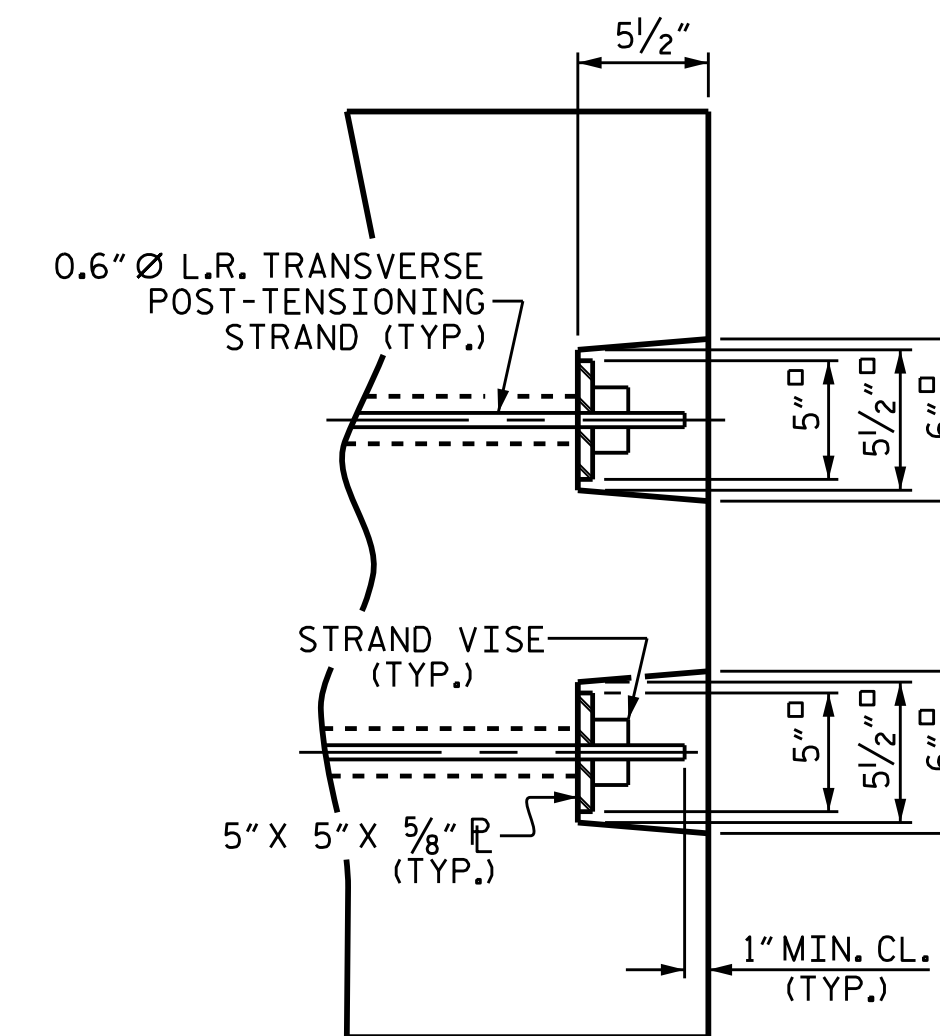


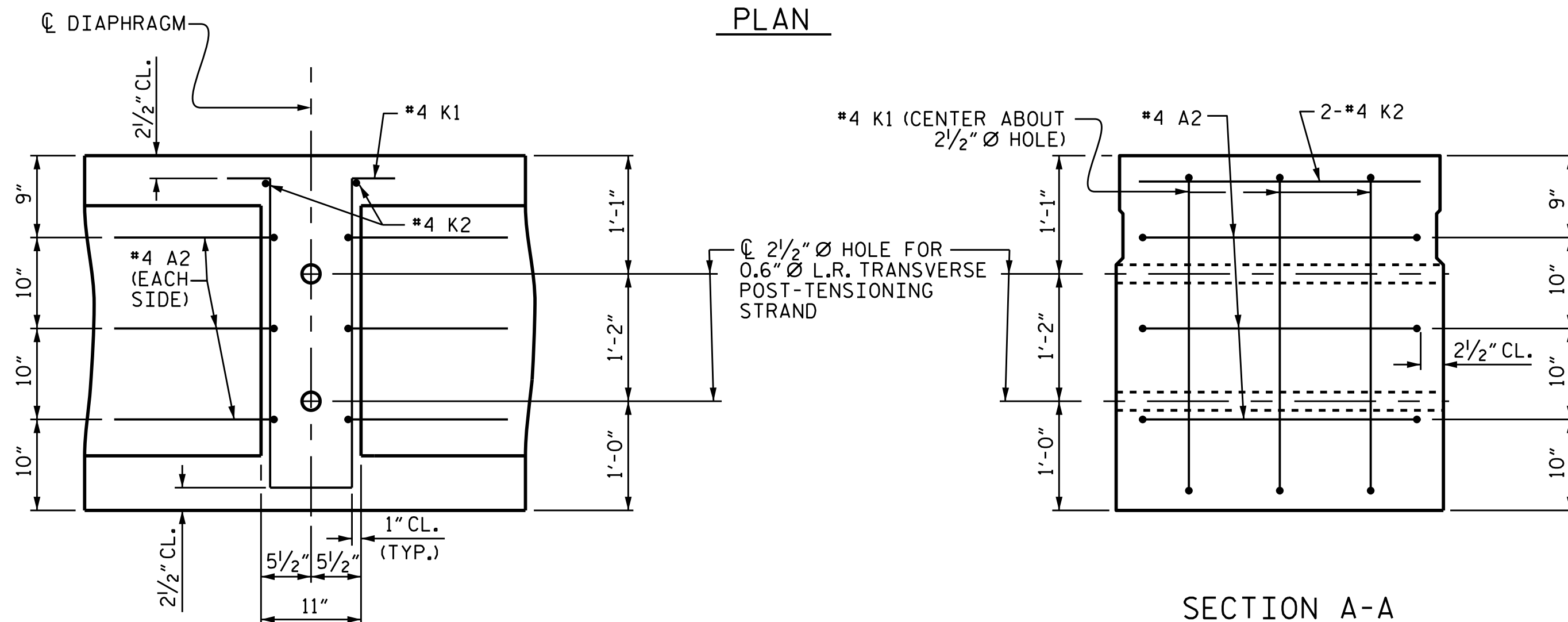
PLAN



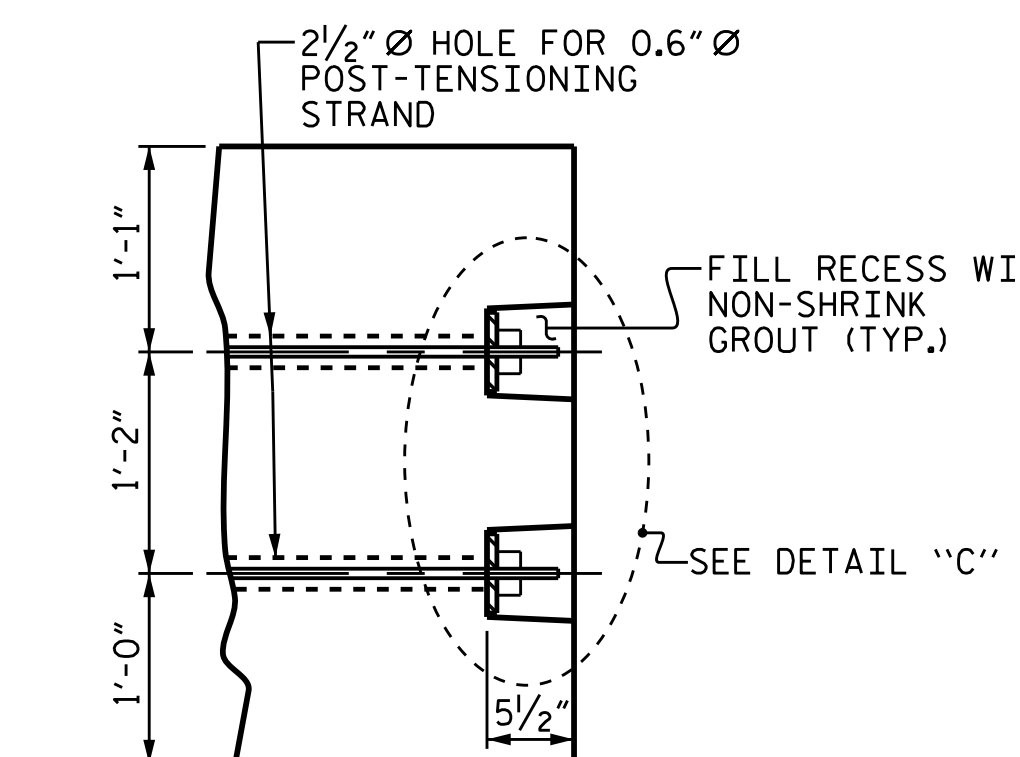
VIEW Y-Y
SHOWING ELEVATION VIEW OF GROUTED RECESS



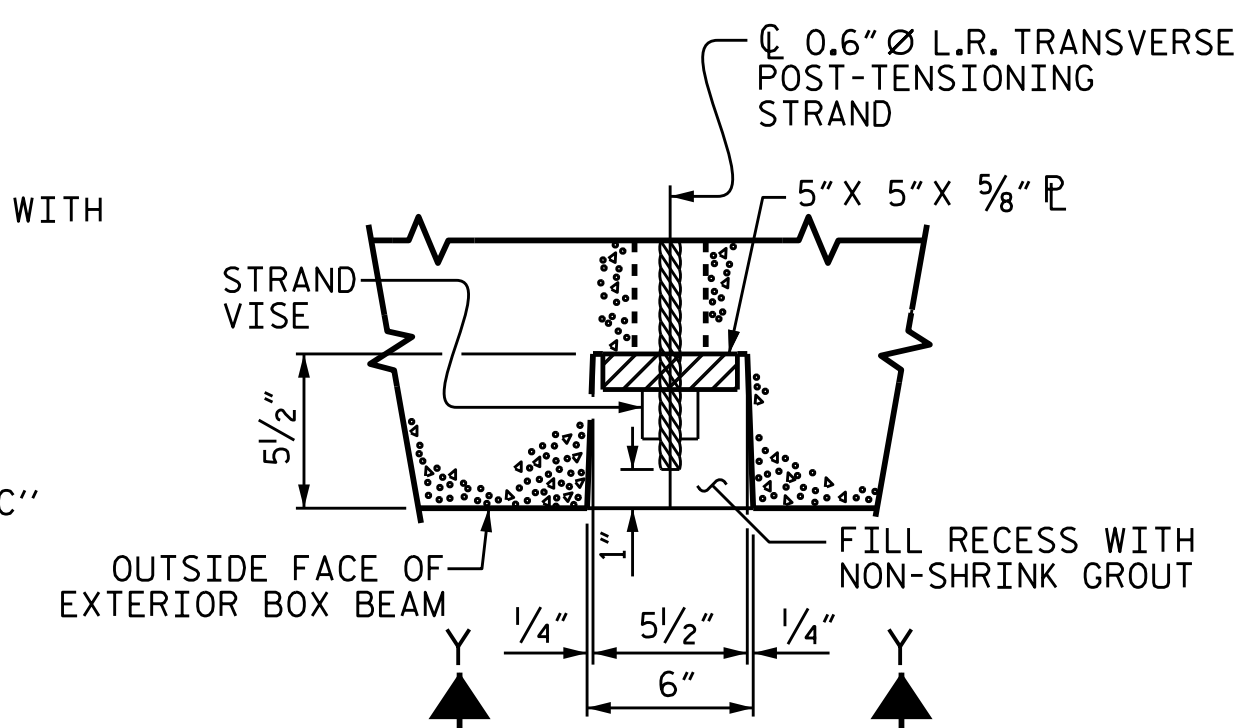
DETAIL "C"



SECTION A-A
VOIDS NOT SHOWN



PART SECTION AT RECESS

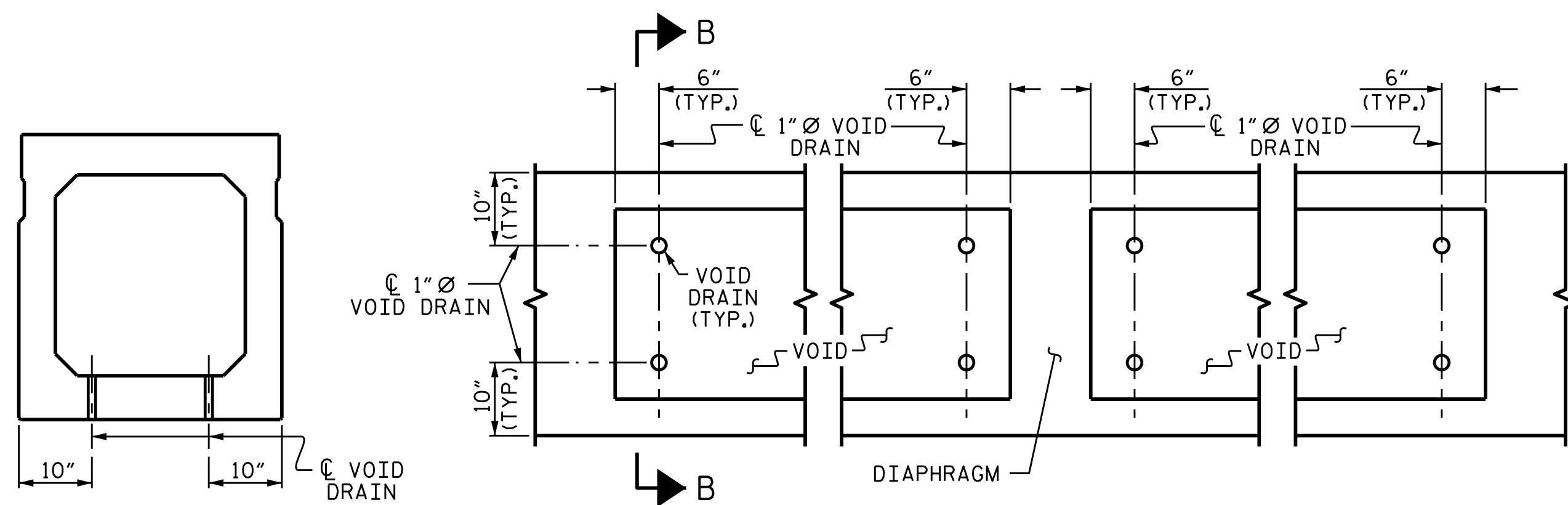


SECTION X-X
SHOWING PLAN VIEW OF GROUTED RECESS

DOUBLE DIAPHRAGM DETAILS

*4 "S" BARS NOT SHOWN. *4 "S" BARS MAY BE SHIFTED SLIGHTLY TO CLEAR 2 1/2" Ø HOLE.

**GROUTED RECESS DETAIL AT
END OF POST-TENSIONED STRANDS
OF EXTERIOR BOX BEAM**



SECTION B-B

PART PLAN

VOID DRAIN DETAILS

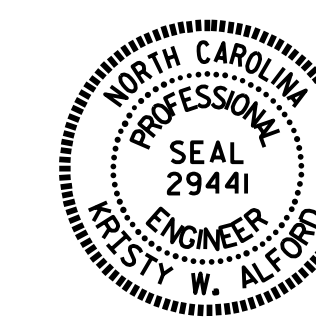
(DIMENSIONS SHOWN ARE TYPICAL FOR EACH VOID)

DEAD LOAD DEFLECTION AND CAMBER	
95' BOX BEAM UNIT	3'-0" x 3'-3"
CAMBER (SLAB ALONE IN PLACE)	0.6" Ø L.R. STRAND
DEFLECTION DUE TO SUPERIMPOSED DEAD LOAD**	2" ↓
FINAL CAMBER	7/8" ↓
	1/8" ↑

** INCLUDES FUTURE WEARING SURFACE

PROJECT NO. B-4945
VANCE COUNTY
 STATION: 16+89.00 -L-

SHEET 4 OF 5



STATE OF NORTH CAROLINA
 DEPARTMENT OF TRANSPORTATION
 RALEIGH
 STANDARD
 3'-0" X 3'-3"
 PRESTRESSED CONCRETE
 BOX BEAM UNIT

ASSEMBLED BY : M.M. AHMED DATE : 3-21-16
 CHECKED BY : J.P. ADAMS DATE : 8/2016
 DRAWN BY : DGE II/II REV. 8/14 MAA/TMG
 CHECKED BY : TMG II/II

DOCUMENT NOT CONSIDERED
 FINAL UNLESS ALL
 SIGNATURES COMPLETED

REVISIONS						SHEET NO.
NO.	BY:	DATE:	NO.	BY:	DATE:	S-7
1			3			TOTAL SHEETS 15
2			4			