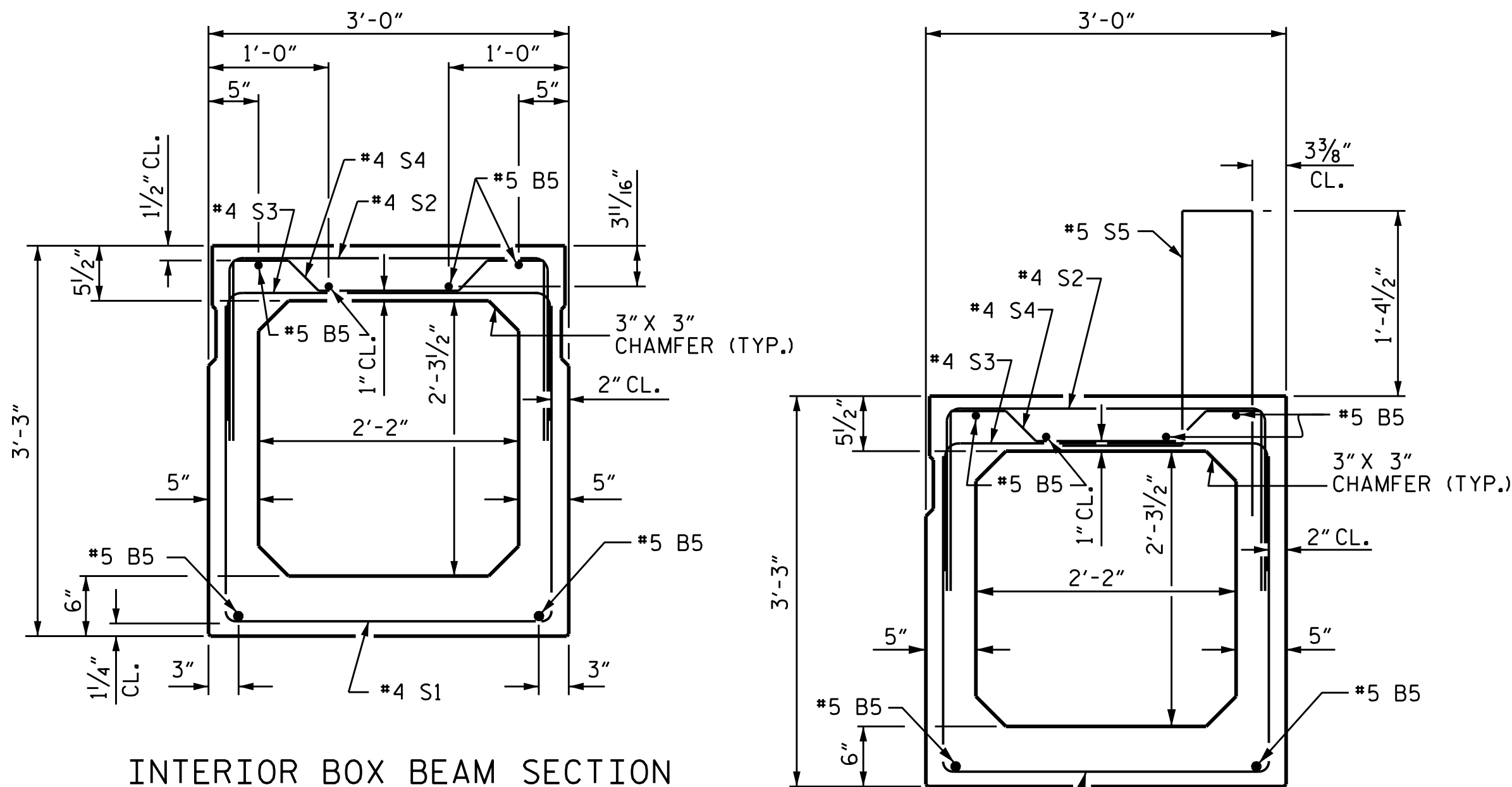


END ELEVATION

SHOWING PLACEMENT OF #5 & #4 "A" BARS AND LOCATION OF DOWEL HOLES. (INTERIOR BOX BEAM SECTION SHOWN-EXTERIOR SECTION SIMILAR EXCEPT SHEAR KEY LOCATION. STRAND LAYOUT NOT SHOWN.)

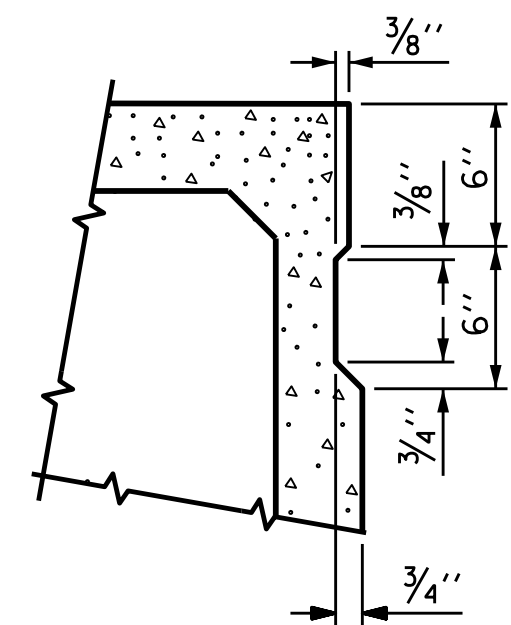


INTERIOR BOX BEAM SECTION

(STRAND LAYOUT NOT SHOWN)

EXTERIOR BOX BEAM SECTION

(STRAND LAYOUT NOT SHOWN)

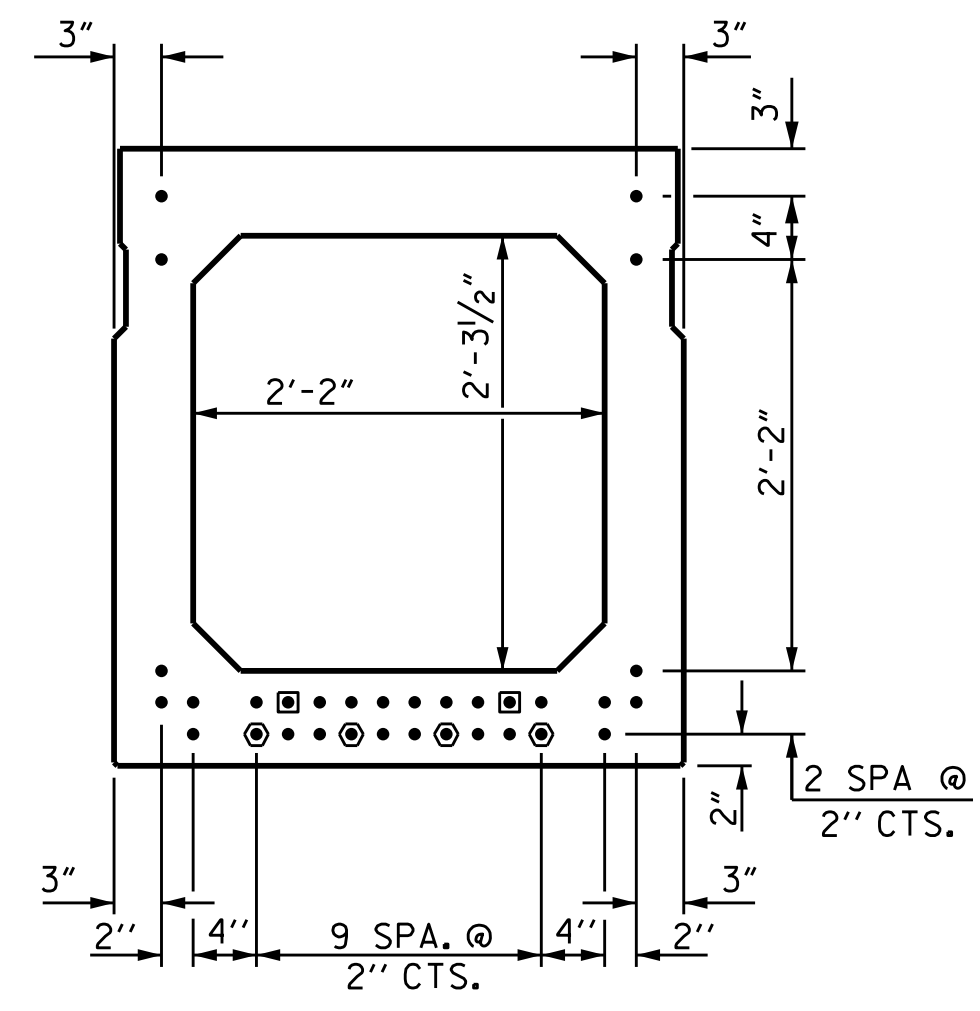


SHEAR KEY DETAIL

NOTE: OMIT SHEAR KEY ON OUTSIDE FACE OF EXTERIOR BOX BEAMS.

GRADE 270 STRANDS	
	0.6" Ø L.R.
AREA (SQUARE INCHES)	0.217
ULTIMATE STRENGTH (LBS. PER STRAND)	58,600
APPLIED PRESTRESS (LBS. PER STRAND)	43,950

0.6" Ø LOW RELAXATION STRAND LAYOUT



TYPICAL STRAND LOCATION

(32 STRANDS REQUIRED)

DEBONDING LEGEND

- FULLY BONDED STRANDS
- ◐ STRANDS DEBONDED FOR 4'-0" FROM END OF GIRDER
- ◑ STRANDS DEBONDED FOR 12'-0" FROM END OF GIRDER

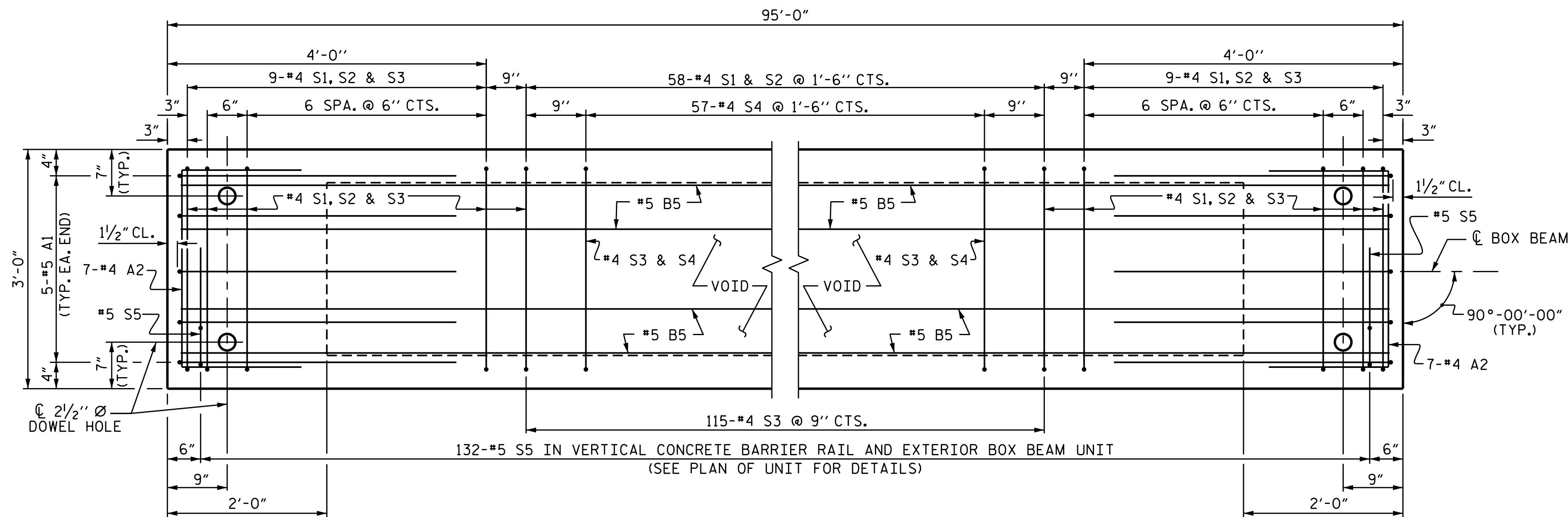
BOND SHALL BE BROKEN ON STRANDS AS SHOWN FOR THE SPECIFIED LENGTH FROM EACH END OF THE BOX BEAM. SEE STANDARD SPECIFICATIONS ARTICLE 1078-7.

BAR TYPES

ALL BAR DIMENSIONS ARE OUT TO OUT

BILL OF MATERIAL FOR ONE BOX BEAM SECTION

BAR	NUMBER	SIZE	TYPE	EXTERIOR UNIT		INTERIOR UNIT	
				LENGTH	WEIGHT	LENGTH	WEIGHT
A1	10	#5	1	7'-2"	75	7'-2"	75
A2	44	#4	2	5'-7"	164	5'-7"	164
B5	12	#5	STR	48'-5"	606	48'-5"	606
K1	15	#4	6	7'-2"	72	7'-2"	72
K2	10	#4	STR	2'-7"	17	2'-7"	17
S1	76	#4	3	8'-6"	432	8'-6"	432
S2	76	#4	3	5'-8"	288	5'-8"	288
S3	133	#4	3	4'-10"	429	4'-10"	429
S4	57	#4	4	5'-10"	222	5'-10"	222
*S5	132	#5	5	5'-10"	802	--	--
REINFORCING STEEL				2305	LBS.	2305	LBS.
*EPOXY COATED REINF. STEEL				802	LBS.		
7500 P.S.I. CONCRETE				18.7	CU. YDS.	18.5	CU. YDS.
0.6" Ø L.R. STRANDS				No.	32	No.	32



PLAN OF BOX BEAM

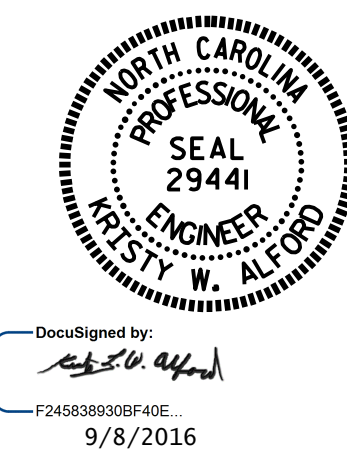
EXTERIOR UNIT SHOWN, INTERIOR UNIT SIMILAR EXCEPT OMIT #5 S5 BARS. FOR LOCATION OF DIAPHRAGMS, SEE "PLAN OF UNIT". FOR THREADED INSERTS, SEE "THREADED INSERT DETAIL". FOR REINFORCING STEEL IN DIAPHRAGMS, SEE "DOUBLE DIAPHRAGM DETAILS".

PROJECT NO. B-4945

VANCE COUNTY

STATION: 16+89.00 -L-

SHEET 3 OF 5



STATE OF NORTH CAROLINA
 DEPARTMENT OF TRANSPORTATION
 RALEIGH
 STANDARD
 3'-0" X 3'-3"
 PRESTRESSED CONCRETE
 BOX BEAM UNIT

ASSEMBLED BY : M.M. AHMED	DATE : 3-21-16
CHECKED BY : J.P. ADAMS	DATE : 8/2016
DRAWN BY : DGE II/II	REV. 9/14
CHECKED BY : TMG II/II	MAA/TMG

DOCUMENT NOT CONSIDERED FINAL UNLESS ALL SIGNATURES COMPLETED

REVISIONS				SHEET NO.	
NO.	BY:	DATE:	NO.	BY:	DATE:
1			3		
2			4		