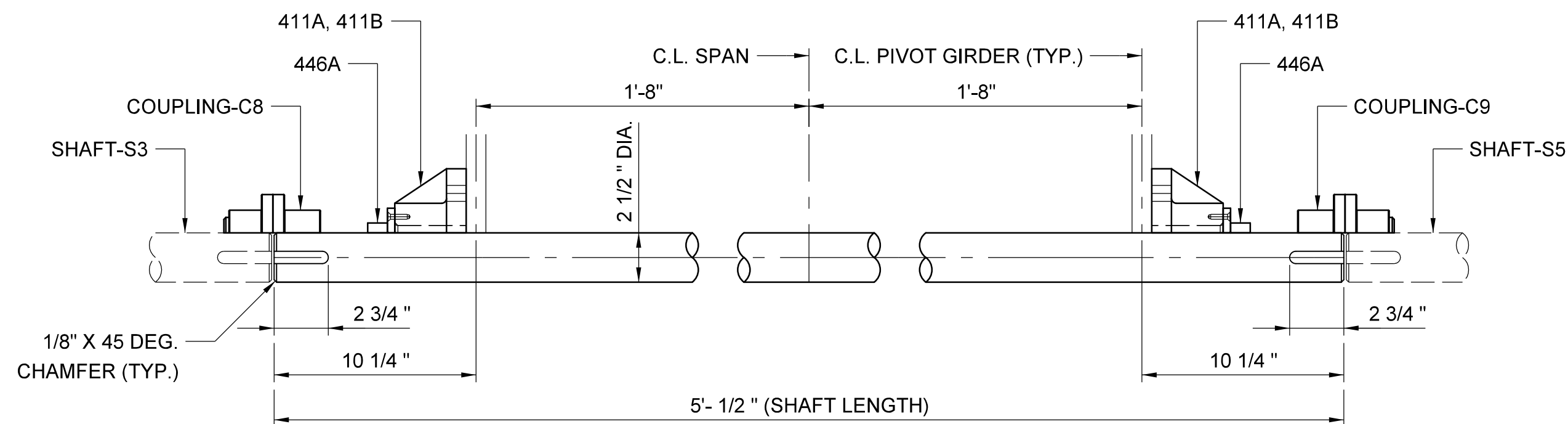


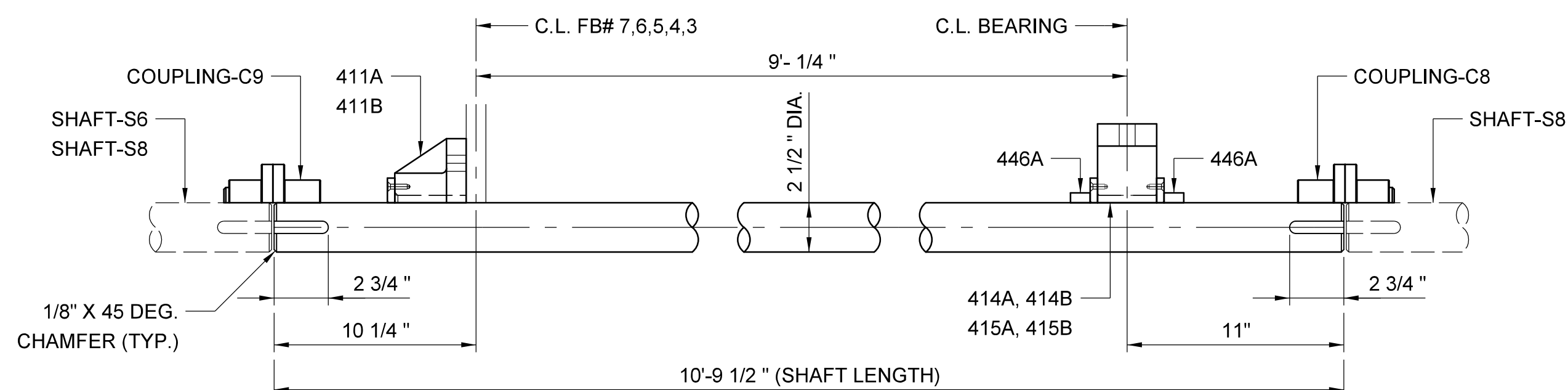
SHAFT-S<sub>2</sub> (FIXED)

SCALE: 2" = 1'-0"



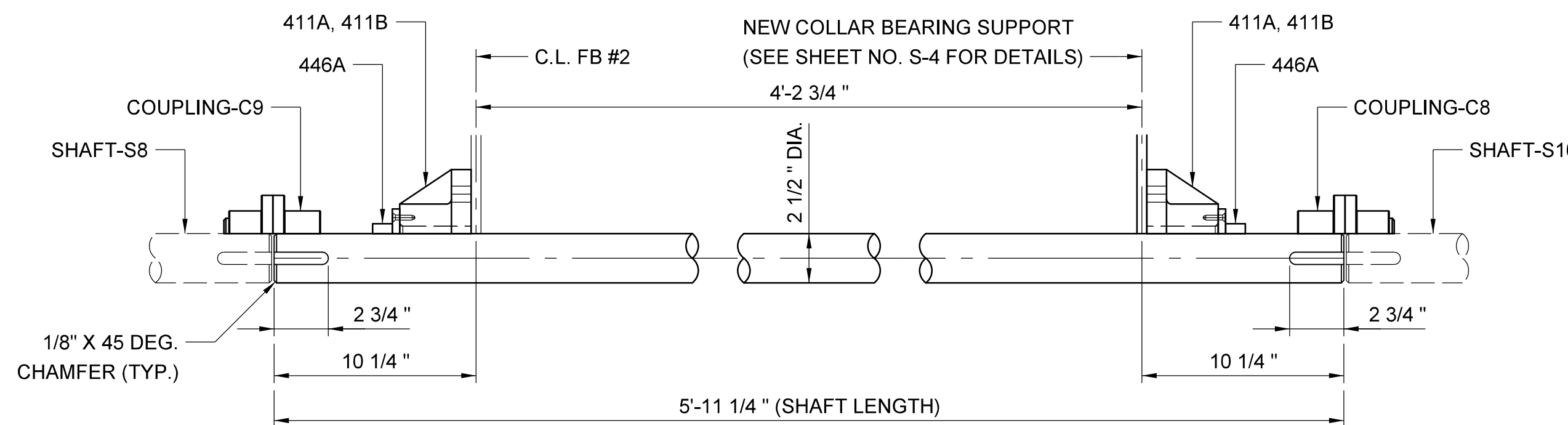
SHAFT-S<sub>4</sub> (FIXED)

SCALE: 2" = 1'-0"



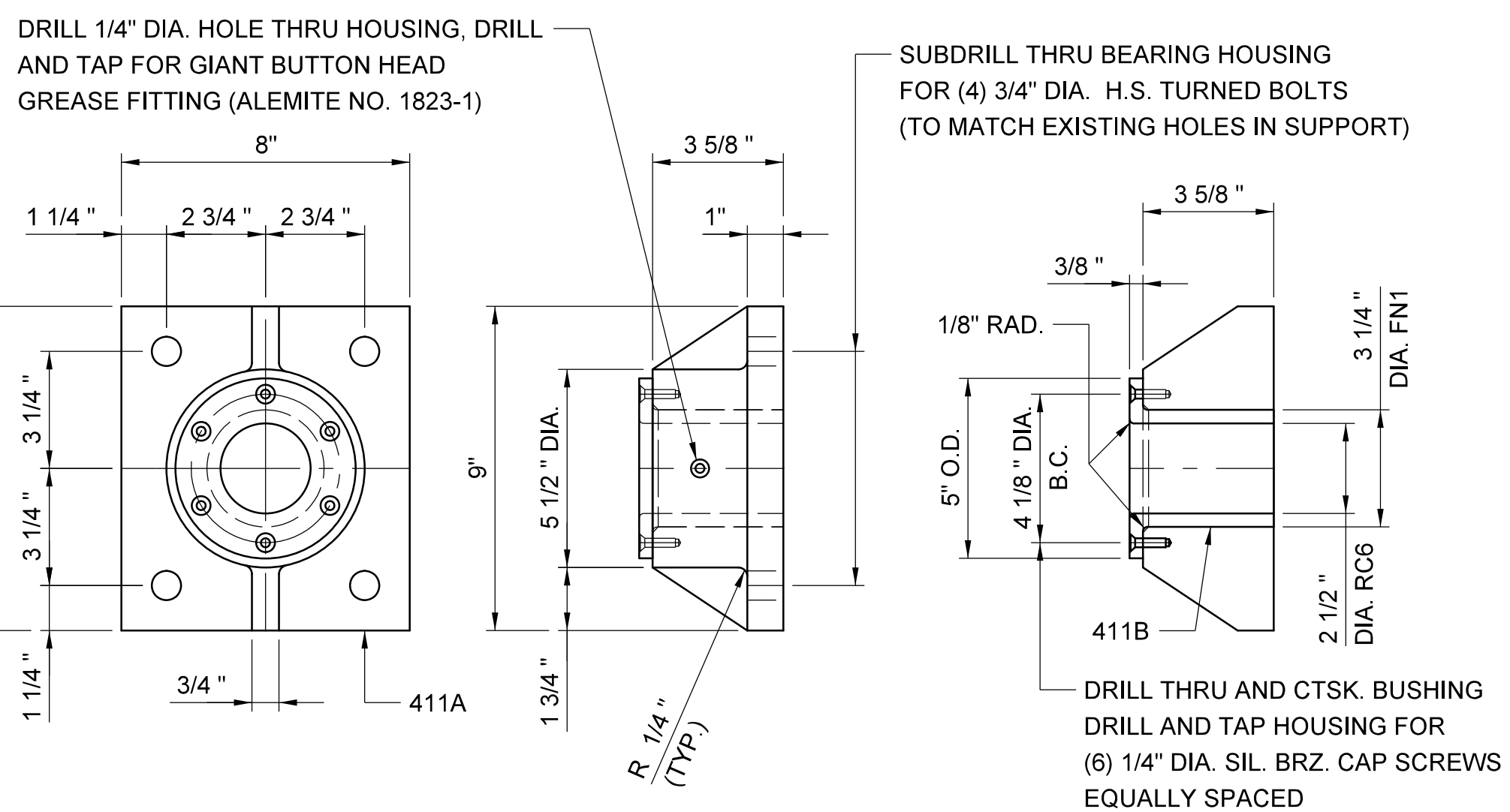
SHAFT-S<sub>7</sub> (FIXED)

SCALE: 2" = 1'-0"



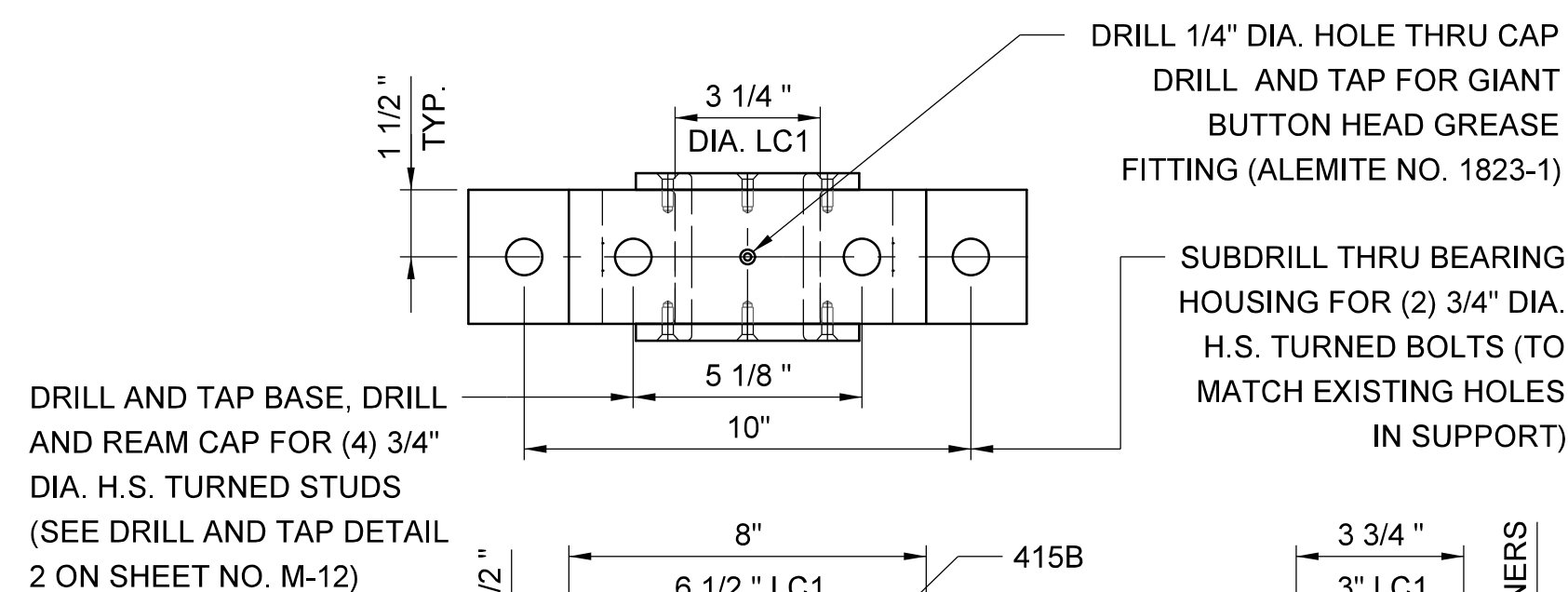
SHAFT-S<sub>9</sub> (FIXED)

SCALE: 2" = 1'-0"



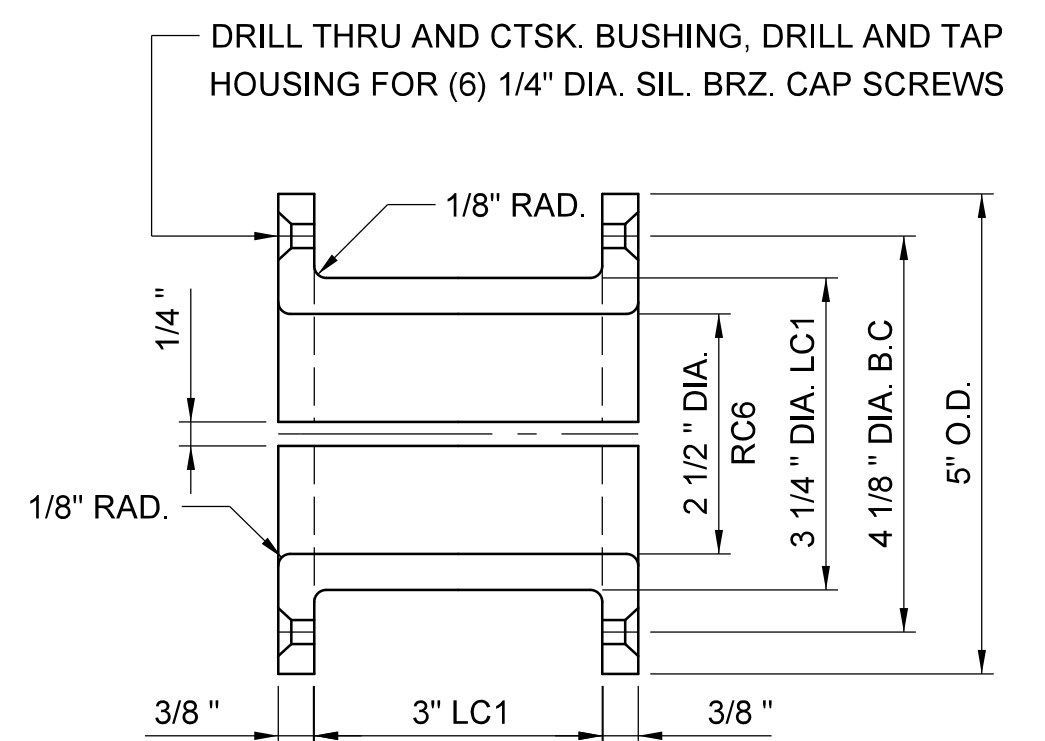
411A / 411B - COLLAR BEARING ASSEMBLY

SCALE: 3" = 1'-0"



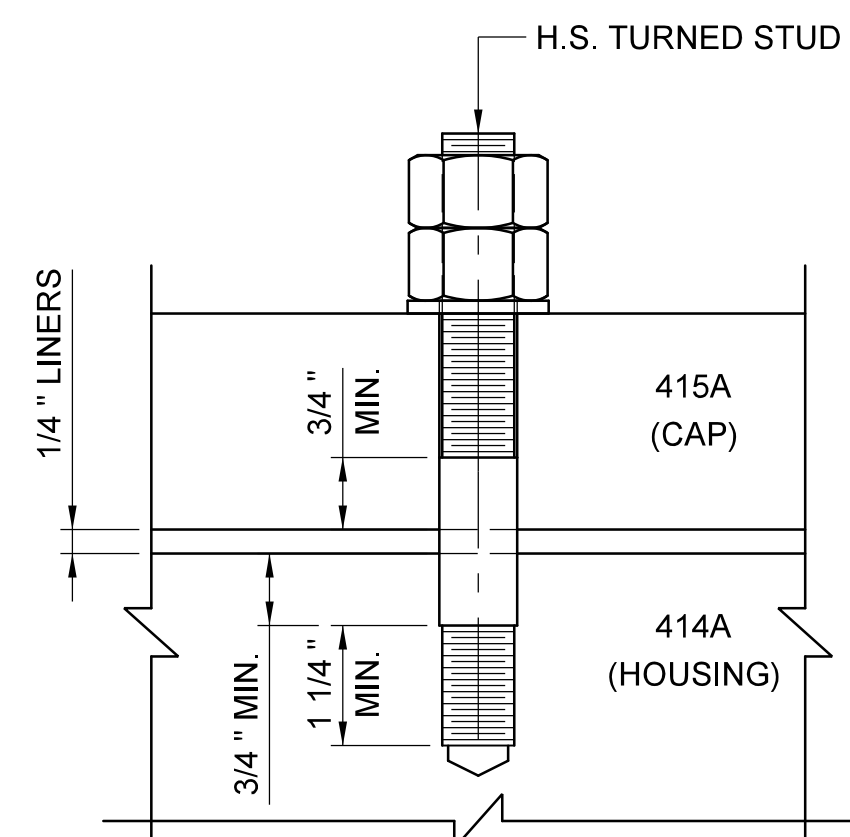
414A / 415A - LONGITUDINAL SHAFTING BEARING ASSEMBLY

SCALE: 3" = 1'-0"



414B / 415B - BUSHINGS FOR 414A / 415A

SCALE: 6" = 1'-0"



DRILL AND TAP DETAIL 2

SCALE: 6" = 1'-0"

LONGITUDINAL SHAFTING REHABILITATION NOTES:

1. FOR A GENERAL DESCRIPTION OF WORK FOR EACH OF THE COMPONENTS SHOWN ON THIS SHEET, PLEASE REFER TO THE END WEDGE MACHINERY TABLES SHOWN ON SHEET NOS. M-13 AND M-14.
2. LONGITUDINAL SHAFTING BEARING BUSHINGS SHALL BE PROVIDED WITH MACHINED DOUBLE OVAL GREASE GROOVES. FOR GROOVE DETAIL SEE SHEET NO. M-5.
3. COLLAR BEARING BUSHINGS SHALL BE PROVIDED WITH MACHINED DOUBLE OVAL GREASE GROOVES. FOR GROOVE DETAIL SEE SHEET NO. M-5.
4. UNLESS OTHERWISE NOTED, ALL KEYWAYS ON EACH SHAFT SHALL BE IN LINE.
5. SHAFT COLLARS 446A ASSEMBLED ON SHAFTS-S2 AND SHAFTS-S7 SHALL BE ALIGNED FOR AN RC8 FIT (AVERAGE CLEARANCE OF 0.005" PER COLLAR) WITH BEARING 414A/415A.
6. SHAFT COLLARS 446A ASSEMBLED ON SHAFT-S4 AND SHAFT-S9 SHALL BE ALIGNED FOR A CLEARANCE OF 0.015" (PER COLLAR) WITH BEARING 411A/411B.

DRAWN BY: JAG/MS DATE: 8/8/2016  
 CHECKED BY: GAF/RH DATE: 8/8/2016  
 DESIGN ENGINEER OF RECORD: JAG/MS DATE: 8/8/2016

DWG NUMBER	TOTAL DWGS	DOCUMENT NOT CONSIDERED FINAL UNLESS ALL SIGNATURES COMPLETED	NO	BY	DATE	NO	BY	DATE	SHEET NO.
79	90		1			2			M-12
									TOTAL SHEETS
									23

PROJECT NO. B-5936  
 TYRRELL COUNTY  
 BRIDGE NO: 7

STATE OF NORTH CAROLINA  
 DEPARTMENT OF TRANSPORTATION  
 RALEIGH

**END WEDGE MACHINERY  
 SHAFTING DETAILS II**

**ALLIGATOR RIVER  
 SWING SPAN**

DocuSigned by:  
 Scott Reynolds  
 BFECS20F8F14B0...

9/14/2016

**Hardesty & Hanover**  
 engineering that moves you

SEAL  
 036065  
 ENGINEER  
 SCOTT A. REYNOLDS

\*\*\*\*\*DTG\*\*\*\*\*  
 \*\*\*\*\*DGN\*\*\*\*\*  
 \*\*\*\*\*USERNAME\*\*\*\*\*