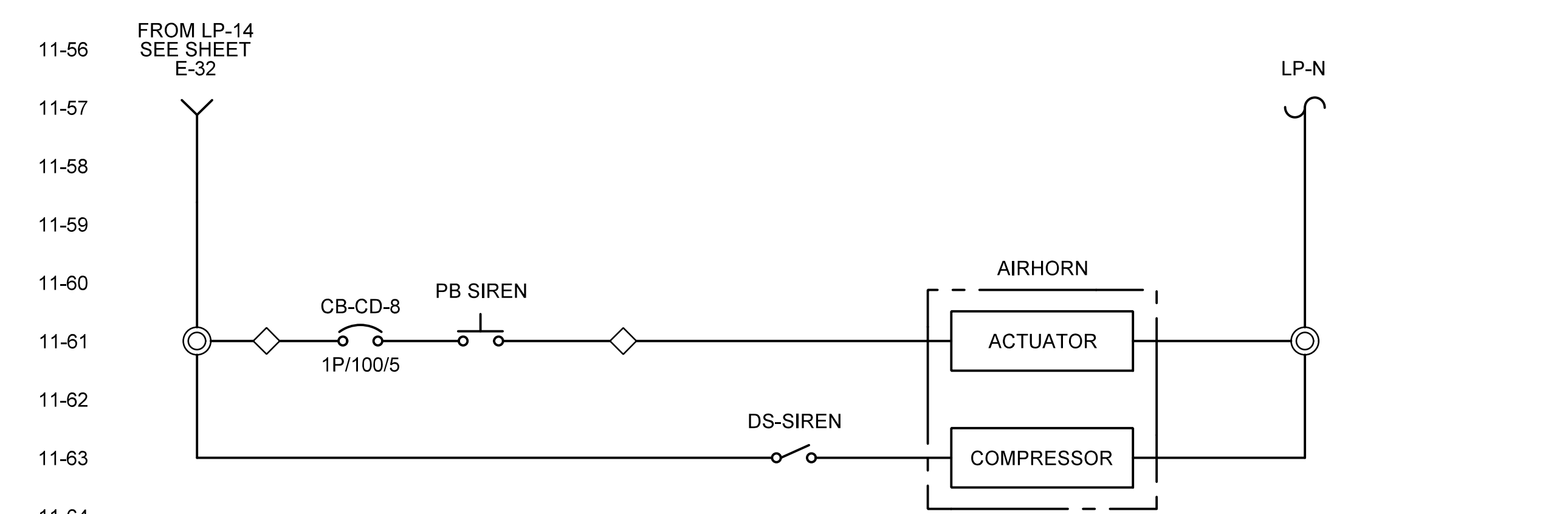
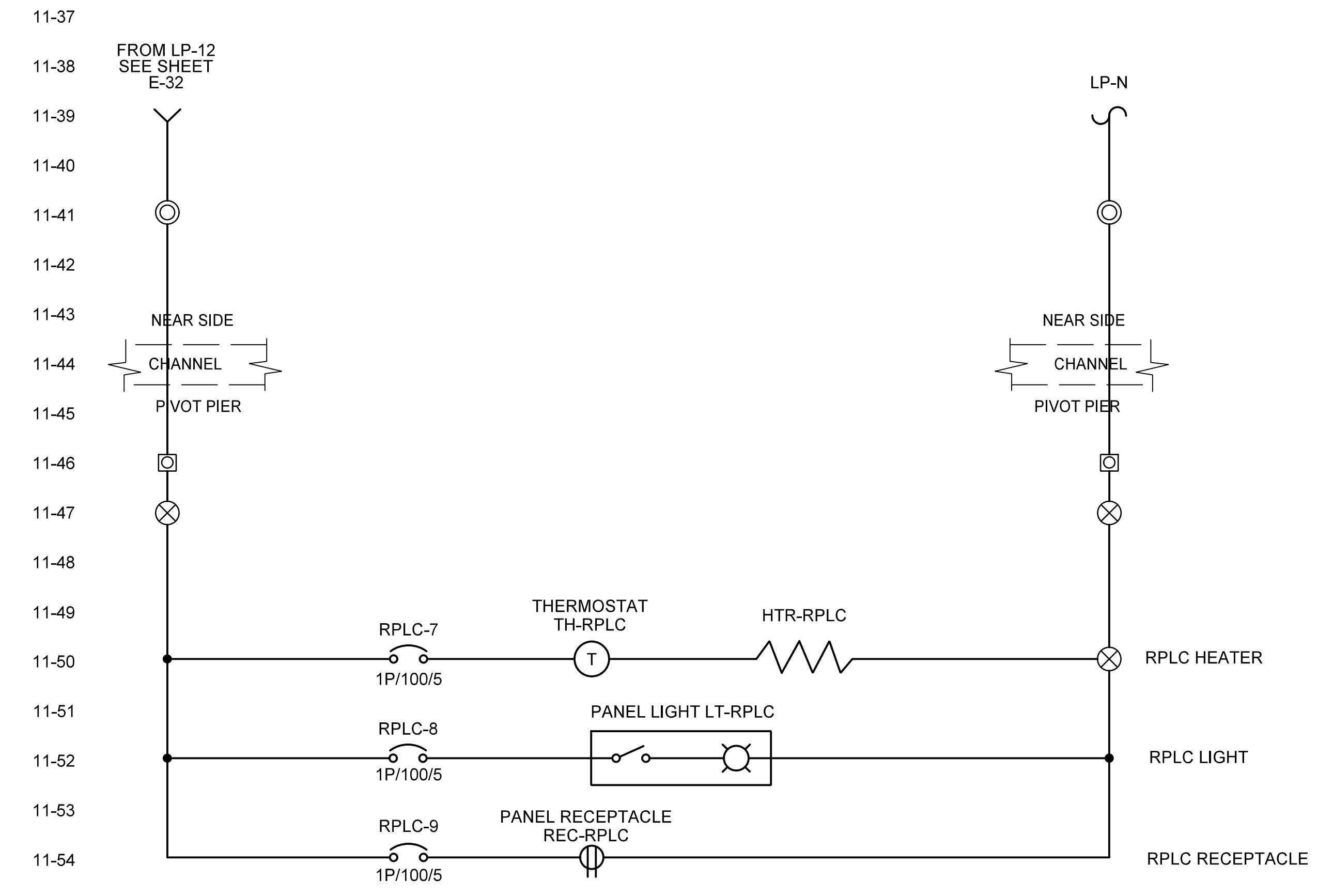


11-0
11-1
11-2
11-3
11-4
11-5
11-6
11-7
11-8
11-9
11-10
11-11
11-12
11-13
11-14
11-15
11-16
11-17
11-18
11-19
11-20
11-21
11-22
11-23
11-24
11-25
11-26
11-27
11-28
11-29
11-30
11-31
11-32
11-33
11-34
11-35
11-36



11-37
11-38
11-39
11-40
11-41
11-42
11-43
11-44
11-45
11-46
11-47
11-48
11-49
11-50
11-51
11-52
11-53
11-54
11-55
11-56
11-57
11-58
11-59
11-60
11-61
11-62
11-63
11-64
11-65
11-66
11-67
11-68
11-69
11-70
11-71
11-72
11-73

PROJECT NO. B-5936
TYRRELL COUNTY
BRIDGE NO: 7

STATE OF NORTH CAROLINA
DEPARTMENT OF TRANSPORTATION
RALEIGH
**CONTROL WIRING:
MPLC, CD, RPLC
CONTROL POWER
ALLIGATOR RIVER
SWING SPAN**

DRAWN BY: _QIV DATE: 8/8/2016
CHECKED BY: _MJT DATE: 8/8/2016
DESIGN ENGINEER OF RECORD: _CHS DATE: 8/8/2016

DWG NUMBER 27	TOTAL DWGS 90	DOCUMENT NOT CONSIDERED FINAL UNLESS ALL SIGNATURES COMPLETED	NO. 1 BY: [] DATE: []	NO. 2 BY: [] DATE: []	NO. 3 BY: [] DATE: []	NO. 4 BY: [] DATE: []	SHEET NO. E-11 TOTAL SHEETS 51
------------------	------------------	---	-------------------------------	-------------------------------	-------------------------------	-------------------------------	--



Hardesty & Hanover
engineering that moves you