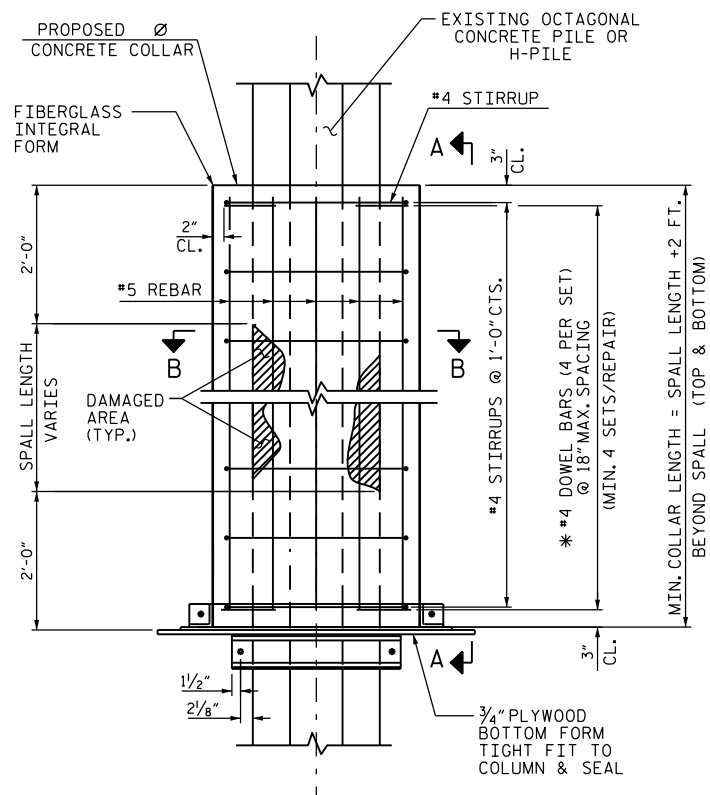
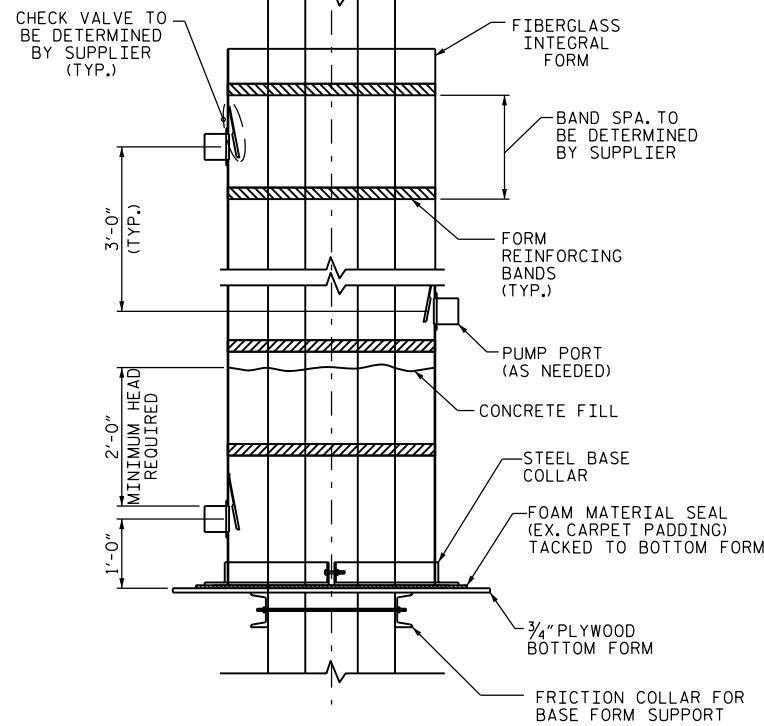


TYPICAL PILE JACKET WITHOUT PUMP PORTS

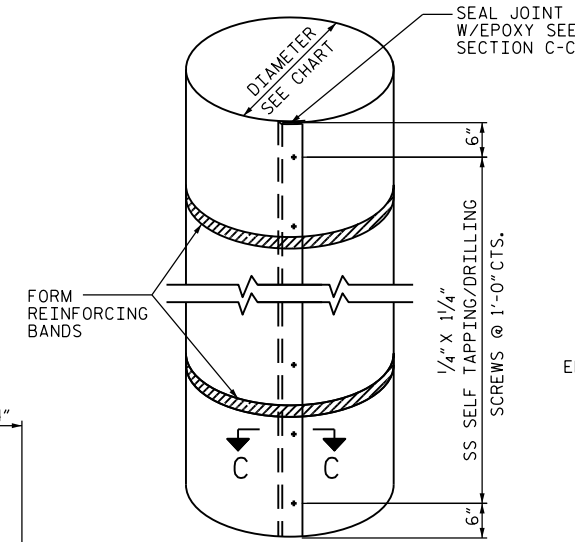
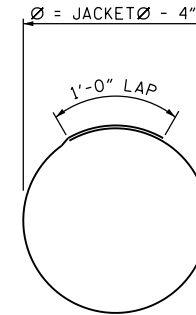


JACKET ELEVATION

* FOR H-PILES USE #6 DOWEL BARS



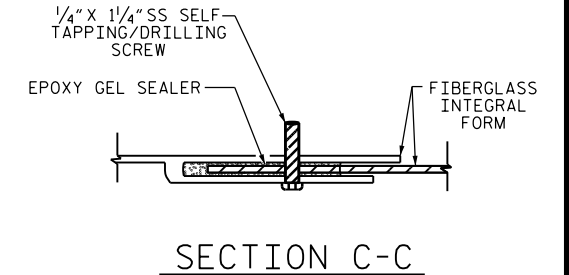
SECTION A-A



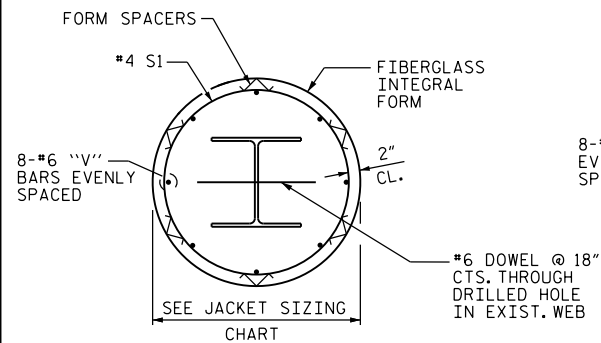
FIBERGLASS INTEGRAL FORM REPAIR SEQUENCE

- 1) COMPLETELY REMOVE ALL LOOSE DELAMINATED AND WEAK CONCRETE, OIL, GREASE, LAITANCE AND OTHER CONTAMINANTS. PREPARE CONCRETE USING ACCEPTABLE MECHANICAL MEANS AND CONCRETE CLEANERS AND DEGREASERS AS NECESSARY TO OBTAIN CLEAN, SOUND AND ROUGH SURFACES. COARSE AGGREGATE SHALL BE EXPOSED. CONCRETE PILE SURFACES SHOULD BE SOUND AND FREE OF CONTAMINATION. WHERE MARINE GROWTH OR OTHER CONTAMINANTS EXIST, INCLUDING VISIBLE SIGNS OF CORROSION, A HIGH PRESSURE WATER BLAST SHOULD BE UTILIZED TO ENSURE A CLEAN, SOUND, CONTAMINANT-FREE SURFACE FOR OPTIMUM BOND.
- 2) CLEAN REINFORCING STEEL & COLUMNS OR PILE, OF ALL RUST AND FOREIGN MATERIAL.
- 3) DETERMINE FIBERGLASS INTEGRAL FORM LENGTH. MINIMUM LENGTH IS 2' ABOVE AND BELOW CLEAN, SOUND, CONTAMINANT-FREE SURFACE.
- 4) FOR CONCRETE PILES DRILL 5/8" HOLES AND PLACE #4 DOWELS W/ EPOXY GROUT. FOR H-PILES DRILL HOLES AND PLACE #6 DOWELS.
- 5) BUILD THE REBAR CAGE BY PLACING THE #4 STIRRUPS AND VERTICAL REINFORCING STEEL IN ACCORDANCE WITH THE PROJECT DRAWING.
- 6) INSTALL FORM SPACERS TO INSURE ADEQUATE CONCRETE COVER AT ALL PARTS OF THE SLEEVE.
- 7) INSTALL THE LEAVE-IN PLACE FIBERGLASS FORM (ALSO CALLED JACKET OR COLLAR). THE DIAMETER OF THE JACKET SHOULD BE LARGE ENOUGH TO IN-CIRCLE THE PILE WHILE PROVIDING A MINIMUM OF 5" TOTAL CLEARANCE. 2" OF CLEARANCE BETWEEN THE PILE AND THE REINFORCING STEEL AND 2" OF CLEARANCE BETWEEN THE REINFORCING STEEL AND THE FORM.. (SEE JACKET SIZING CHART)
- 8) INSERT CONCRETE PUMP HOSE THRU TOP OF JACKET AND EXTEND TO JUST ABOVE THE BOTTOM AND PUMP AT A FLOW RATE TO THE DESIRED FILL ELEVATION. IF SITE CONDITIONS PROHIBIT INSERTING PUMP HOSE THRU TOP OF JACKET THEN INSTALL PUMP PORTS AND PLACE CONCRETE AS SHOWN IN THE DETAILS.
- 9) PLACE CONCRETE FILL. INSTALL PUMP PORT(S) IN JACKET FOR UNDERWATER APPLICATIONS. PORTS SHOULD HAVE A CHECK VALVE TO KEEP BACK FLOW OF CONCRETE ONCE PUMP NOZZLE IS REMOVED. FOR CONCRETE PLACEMENTS GREATER THAN 5' USE MULTIPLE PORTS SPACED 3' VERTICALLY AND ALTERNATING 180° FROM PREVIOUS PORT. A MINIMUM OF 2' OF CONCRETE HEAD, IS NEEDED ABOVE PORT PRIOR TO CHANGING PORTS.
- 10) REMOVE FORM WORK WHEN CONCRETE STRENGTH ACHIEVES 3,000 PSI.

PILE / COLUMN SIZE	RECOMMENDED JACKET SIZE	
	ROUND	SQUARE
12" SQUARE	28" Ø	24" X 24"
14" SQUARE	30" Ø	26" X 26"
16" SQUARE	34" Ø	28" X 28"
20" SQUARE	38" Ø	32" X 32"
24" SQUARE	44" Ø	36" X 36"
30" SQUARE	N/A	42" X 42"
ROUND	PILE Ø + 10"	N/A
OCTAGONAL	PILE Ø + 10"	N/A

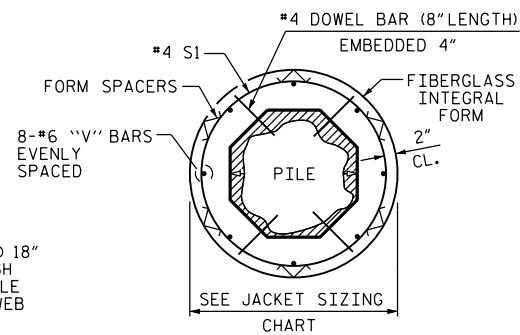


SECTION C-C



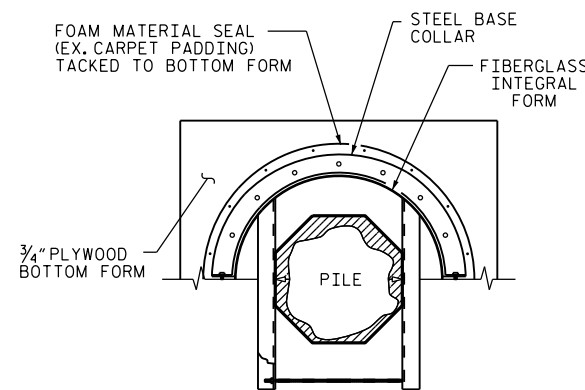
SECTION B-B

H-PILE REPAIR



SECTION B-B

OCTAGONAL PILE REPAIR



PLATFORM DETAIL

SEE JACKET SIZING CHART

DocuSigned by:
Robbie Weisz
CEA153463B6D43D...

8/11/2016



PROJECT NO. B-5936
TYRRELL COUNTY
BRIDGE NO. 7

SHEET 2 OF 2

REVISIONS						SHEET NO.
NO.	BY:	DATE:	NO.	BY:	DATE:	S-391
1			3			TOTAL SHEETS
2			4			394

DOCUMENT NOT CONSIDERED FINAL UNLESS ALL SIGNATURES COMPLETED

DRAWN BY : S. T. SANDOR DATE : 06/2016
CHECKED BY : R. N. WEISZ DATE : 06/2016