

PROJECT REFERENCE NO.	SHEET NO.
B-5546	EC-04/CONST.04
RW SHEET NO.	
ROADWAY DESIGN ENGINEER	HYDRAULICS ENGINEER

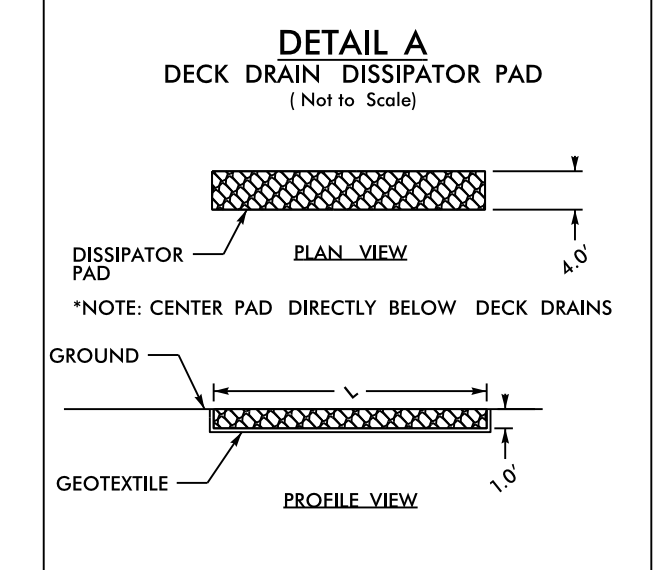
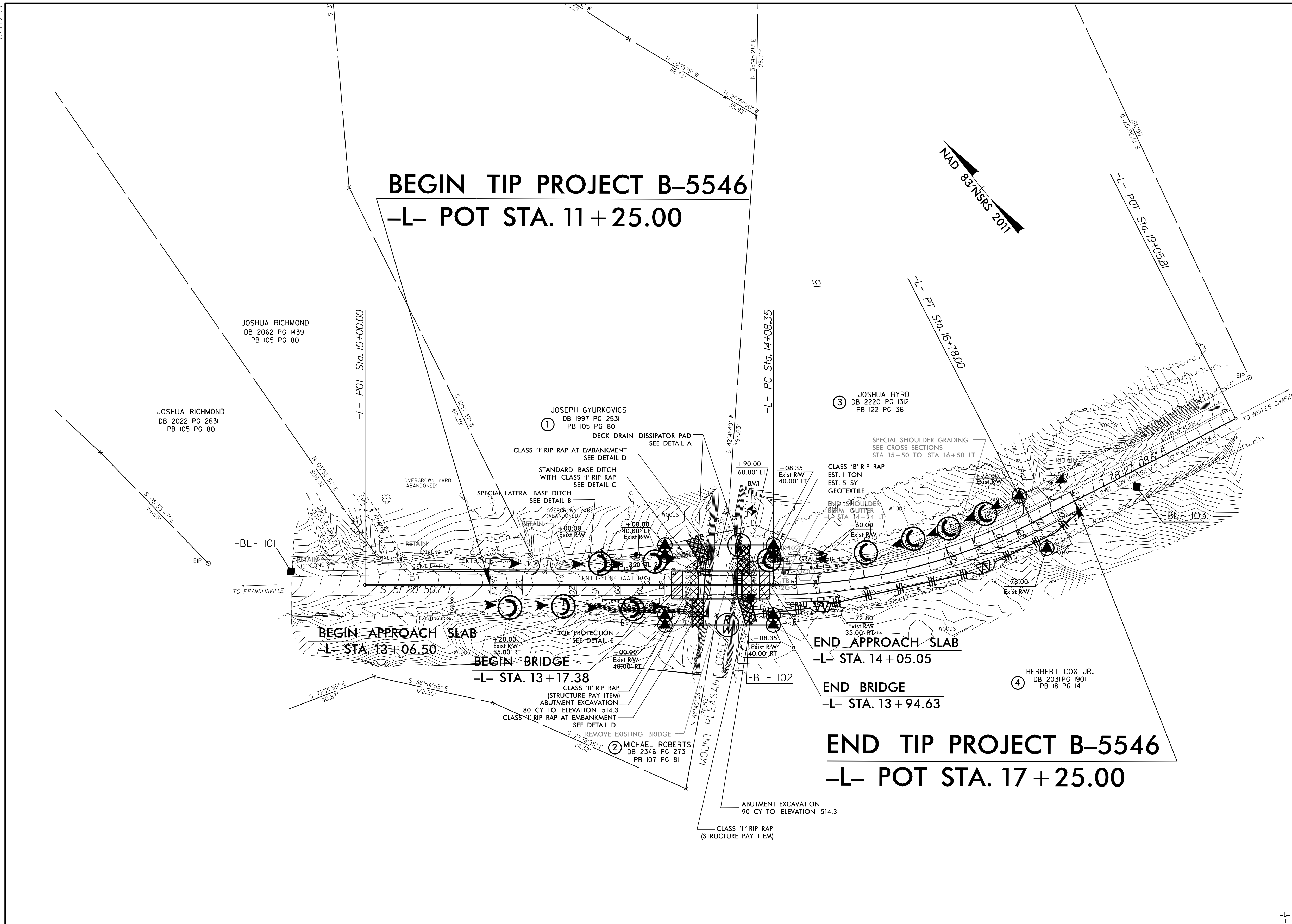
CLEARING AND GRUBBING
EROSION CONTROL FOR
CONSTRUCTION SHEET 04

BEGIN TIP PROJECT B-5546

-L- POT STA. 11 + 25.00

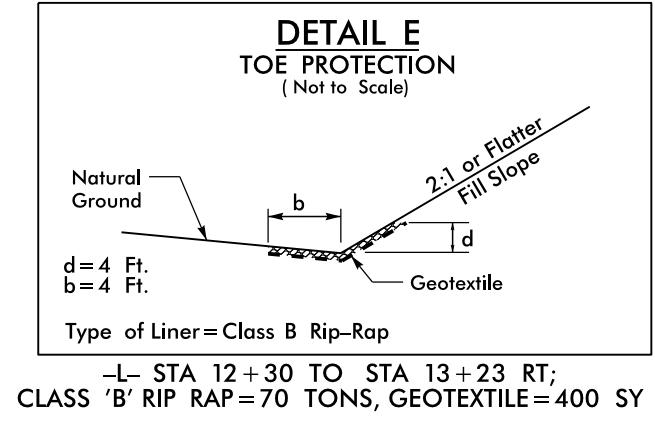
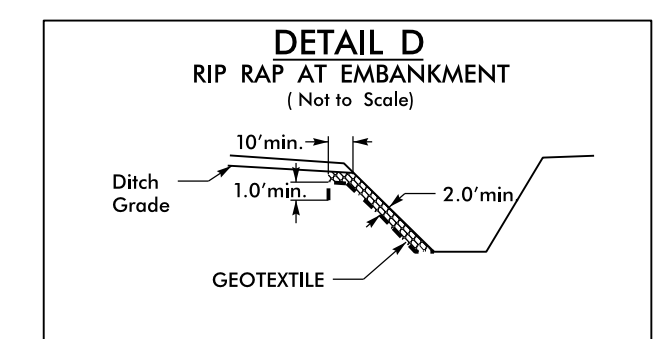
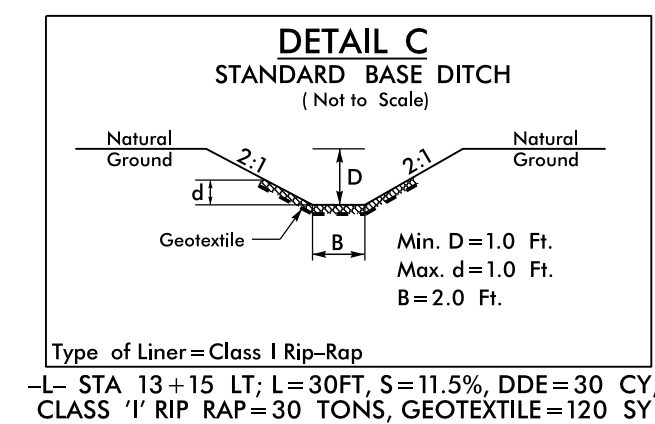
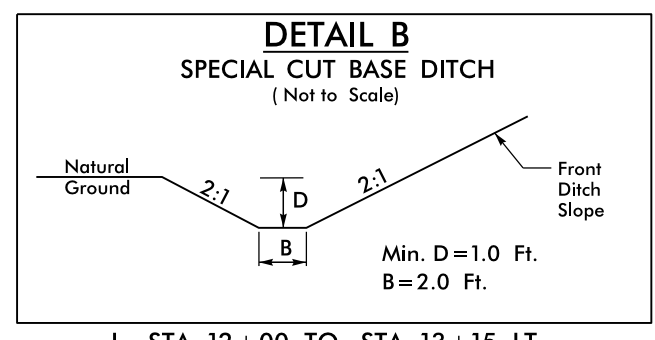
END TIP PROJECT B-5546

-L- POT STA. 17 + 25.00



-L- STA 13 + 23.5 LT; L=17FT,
CLASS 'B' RIP RAP=4 TONS, GEOTEXTILE=80 SY

-L- STA 13 + 76.5 LT; L=15FT,
CLASS 'B' RIP RAP=4 TONS, GEOTEXTILE=70 SY



NOTE:
PLACE TEMPORARY ROCK SEDIMENT DAMS TYPE - B
AND TEMPORARY ROCK SILT CHECKS TYPE - A AT
DRAINAGE OUTLETS.

NOTE:
UTILIZE TEMPORARY SEDIMENT BASIN OR SPECIAL STILLING
BASIN(S) AS STILLING BASIN WHERE APPLICABLE.

FILE
SEE SHEETS S-23 THRU S-38 FOR STRUCTURE PLANS

8/17/99
 30 JUN 2016 11:42
 R:\Projects\2016\11452\1\Design\B-5546_EC.dsn NMS.dgn
 AT: BRENDA