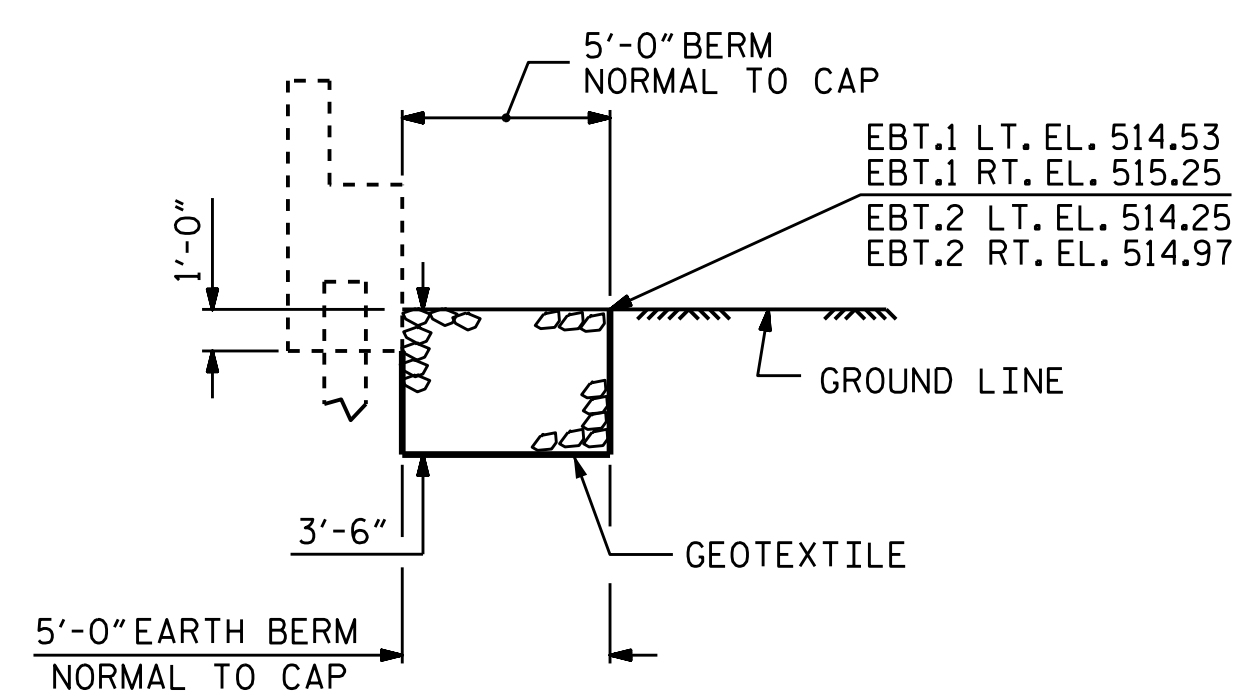
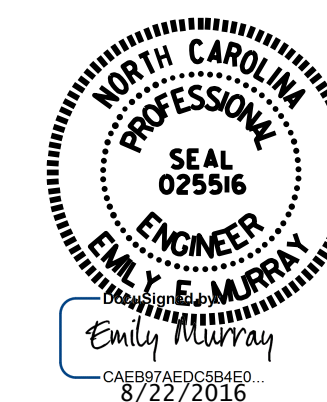


ESTIMATED QUANTITIES		
BRIDGE @ STA. 13+56.00-L-	RIP RAP CLASS II	GEOTEXTILE FOR DRAINAGE
	TONS	SQUARE YARDS
END BENT 1	30	45
END BENT 2	30	45



CL SECTION
BERM RIP RAPPED

PROJECT NO. B-5546
RANDOLPH COUNTY
STATION: 13+56.00-L-



STATE OF NORTH CAROLINA
DEPARTMENT OF TRANSPORTATION
RALEIGH
STANDARD
= RIP RAP DETAILS =

ASSEMBLED BY : D.A. DAVENPORT DATE : 10/08/14
CHECKED BY : J.K. BOWLES DATE : 4/25/16
DRAWN BY : REK 1/84
CHECKED BY : RDU 1/84

REV. 5/1/06R TLA/GM
REV. 10/1/11 MAA/GM
REV. 12/21/11 MAA/GM

DOCUMENT NOT CONSIDERED
FINAL UNLESS ALL
SIGNATURES COMPLETED

REVISIONS						SHEET NO.
NO.	BY:	DATE:	NO.	BY:	DATE:	S-37
1			3			TOTAL SHEETS
2			4			38