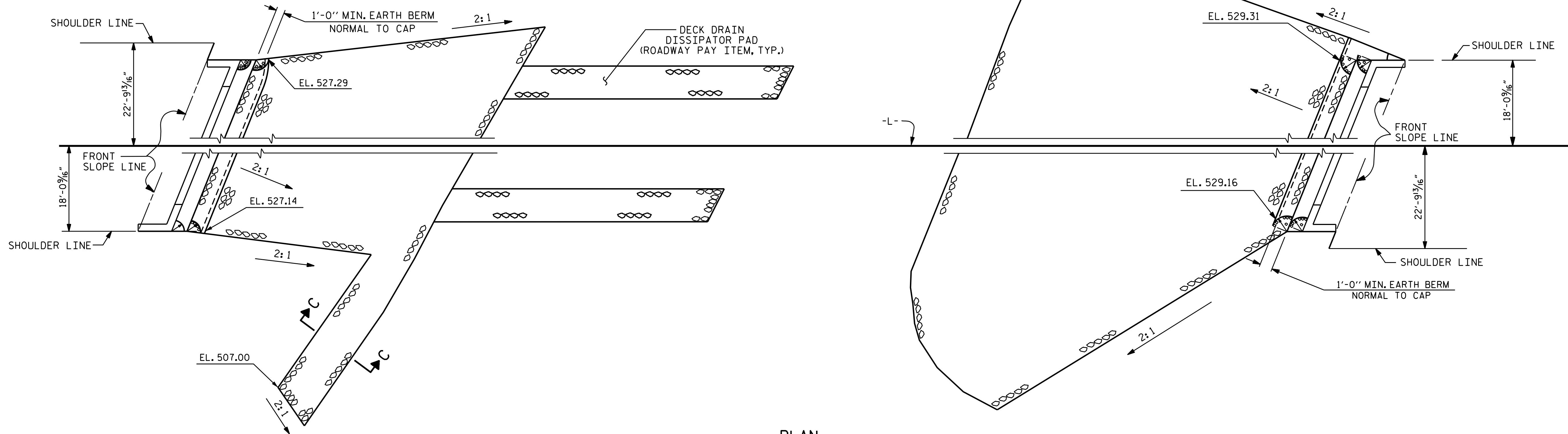
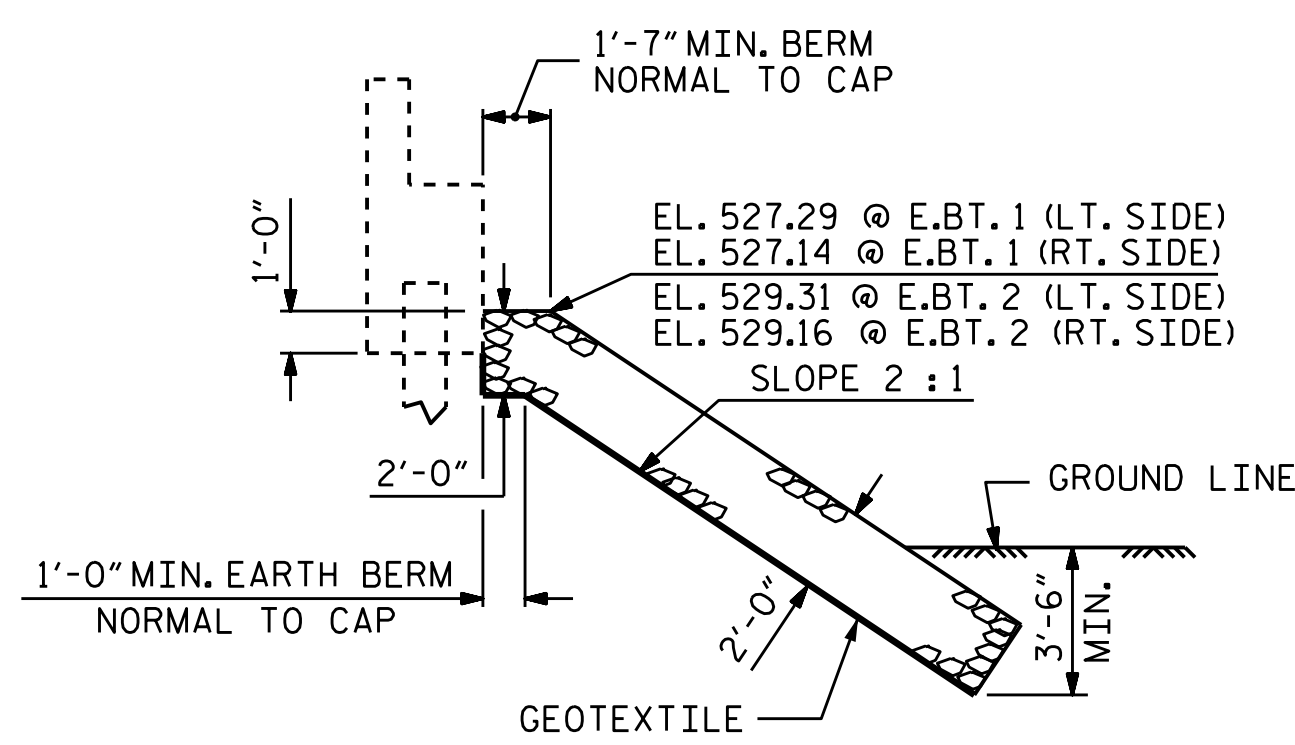


ESTIMATED QUANTITIES		
BRIDGE @ STA. 23+68.00 -L-	RIP RAP CLASS II (2'-0" THICK)	GEOTEXTILE FOR DRAINAGE
	TONS	SQUARE YARDS
END BENT 1	296	329
END BENT 2	685	760

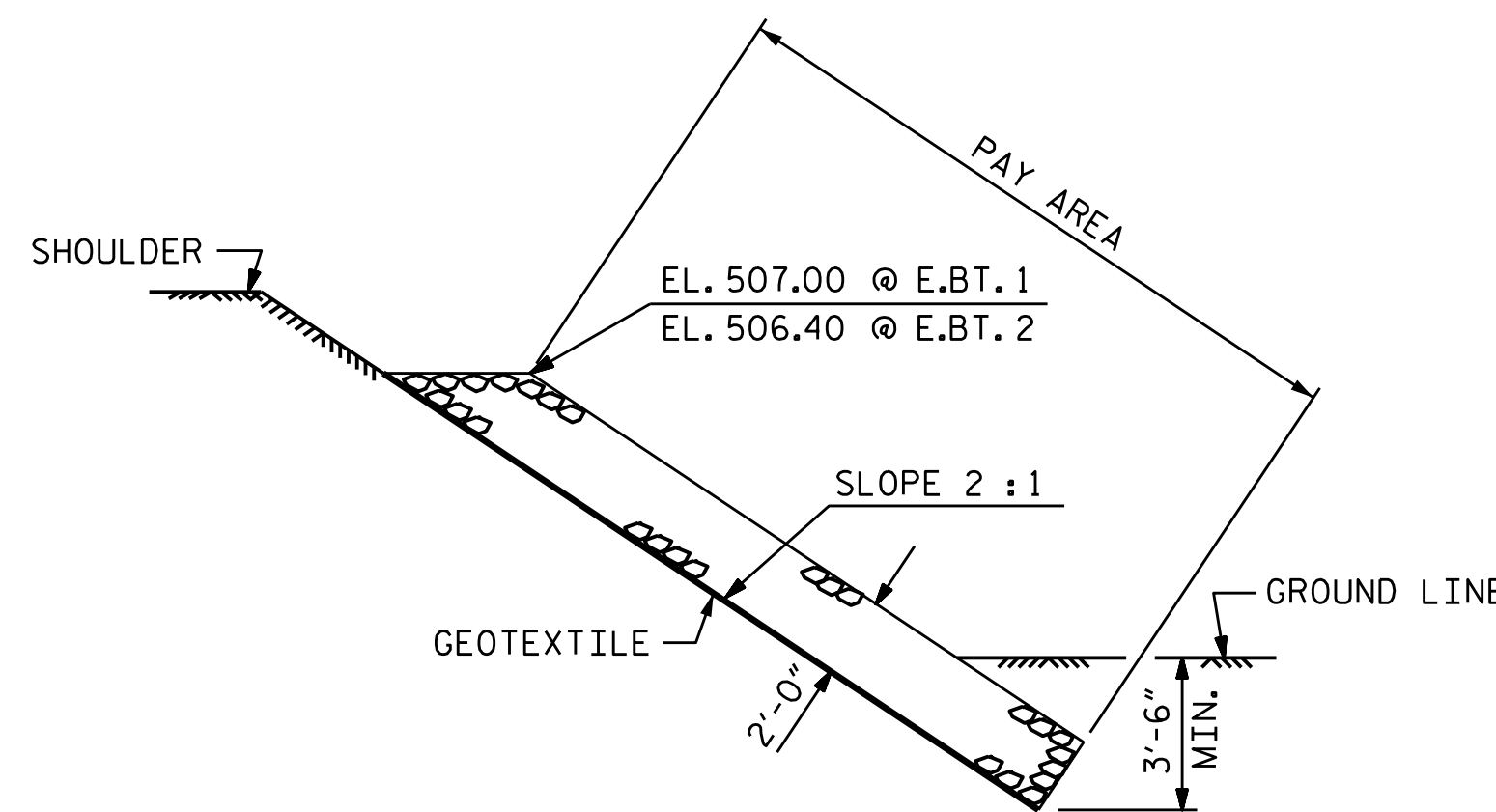


PLAN



SECTION C-C

BERM RIP RAPPED



SECTION C-C

PROJECT NO. B-5360
RANDOLPH COUNTY
 STATION: 23+68.00 -L-



DocuSigned by:
 Gregory Dickey
 884E4B8CCE5B4B6...
 8/22/2016

STATE OF NORTH CAROLINA
 DEPARTMENT OF TRANSPORTATION
 RALEIGH
 STANDARD
 = RIP RAP DETAILS =

ASSEMBLED BY : A. K. PATEL DATE : 1/14/16
 CHECKED BY : W. F. PARKER DATE : 3/16
 DRAWN BY : REK 1/84
 CHECKED BY : RDU 1/84

REV. 5/1/06R TLA/GM
 REV. 10/1/11 MAA/GM
 REV. 12/21/11 MAA/GM

22-AUG-2016 08:08
 X:\Structures\Plans\FINAL_PLANS\B-5360_SD.dgn
 gdickey

DOCUMENT NOT CONSIDERED
 FINAL UNLESS ALL
 SIGNATURES COMPLETED

REVISIONS						SHEET NO.
NO.	BY:	DATE:	NO.	BY:	DATE:	S-21
1			3			TOTAL SHEETS
2			4			38