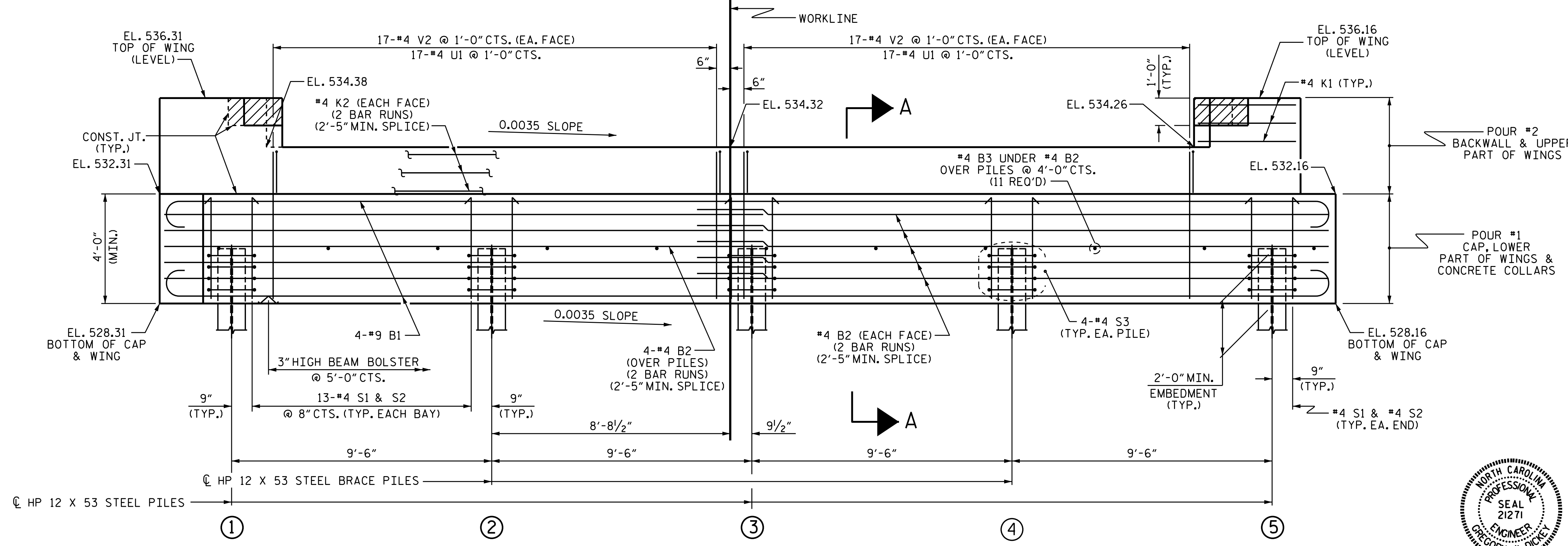


PLAN

TOP OF PILE ELEVATIONS	
PILES 1 THRU 5	530.31

NOTES

STIRRUPS IN CAP MAY BE SHIFTED AS NECESSARY TO CLEAR DOWELS.  
 THE CONCRETE IN THE SHADED AREA OF THE WING SHALL BE POURED AFTER THE VERTICAL CONCRETE BARRIER RAIL IS CAST IF SLIP FORMING IS USED.  
 FOR PILE SPLICE DETAILS, SEE SHEET 4 OF 4.  
 FOR WING DETAILS, SEE SHEET 3 OF 4.



ELEVATION

WINGS NOT SHOWN FOR CLARITY.  
 FOR SECTION A-A, SEE SHEET 4 OF 4.  
 CONCRETE COLLARS FOR STEEL PILES NOT SHOWN IN PLAN AND ELEVATION VIEWS FOR CLARITY.  
 SEE "CORROSION PROTECTION FOR STEEL PILES DETAIL", SHEET 4 OF 4.

PROJECT NO. B-5360  
RANDOLPH COUNTY  
 STATION: 23+68.00 -L-

SHEET 2 OF 4



STATE OF NORTH CAROLINA  
 DEPARTMENT OF TRANSPORTATION  
 RALEIGH

SUBSTRUCTURE  
 END BENT No. 2

ASSEMBLED BY : A. K. PATEL	DATE : 11/24/15
CHECKED BY : W. F. PARKER	DATE : 3/16
DRAWN BY : WJH 12/11	REV. 4/15
CHECKED BY : AAC 12/11	MAA/TMG

REVISIONS						SHEET NO. S-14
NO.	BY:	DATE:	NO.	BY:	DATE:	
1			3			TOTAL SHEETS 38
2			4			

DOCUMENT NOT CONSIDERED FINAL UNLESS ALL SIGNATURES COMPLETED