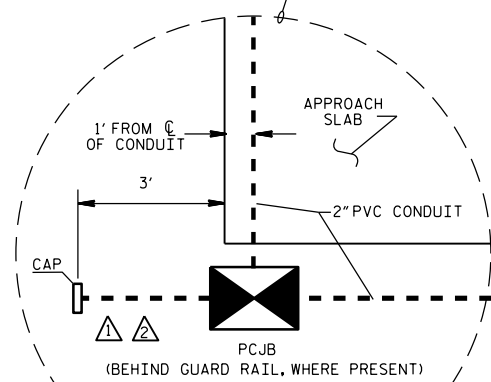
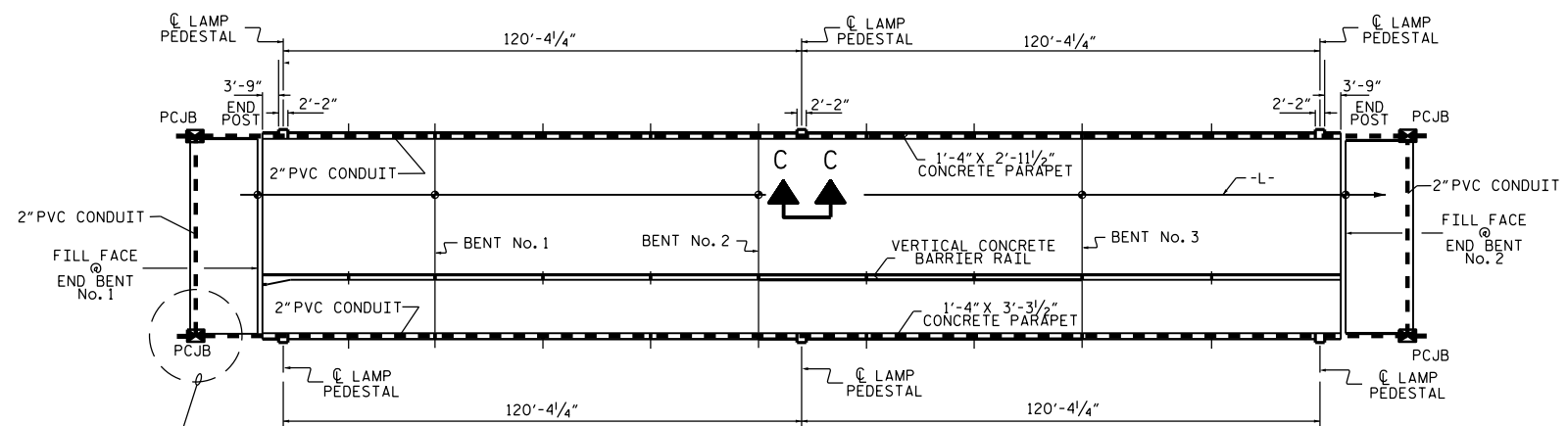
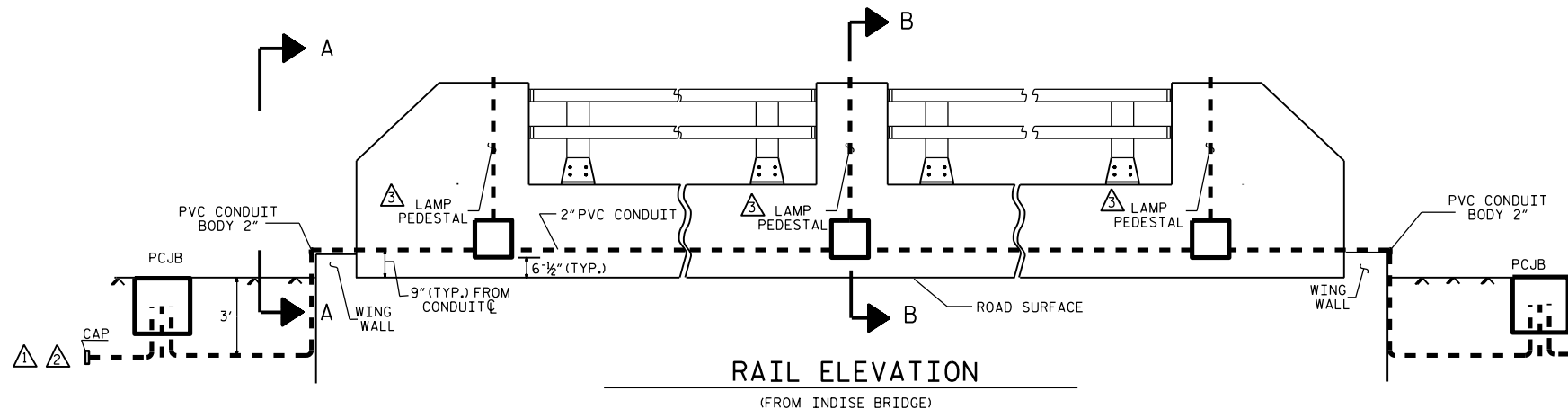
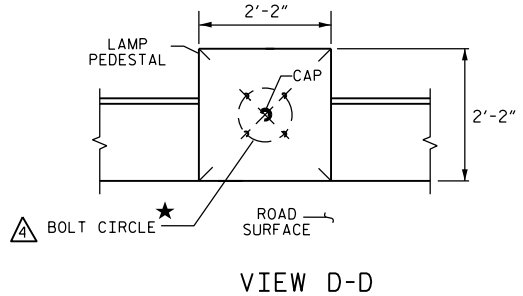
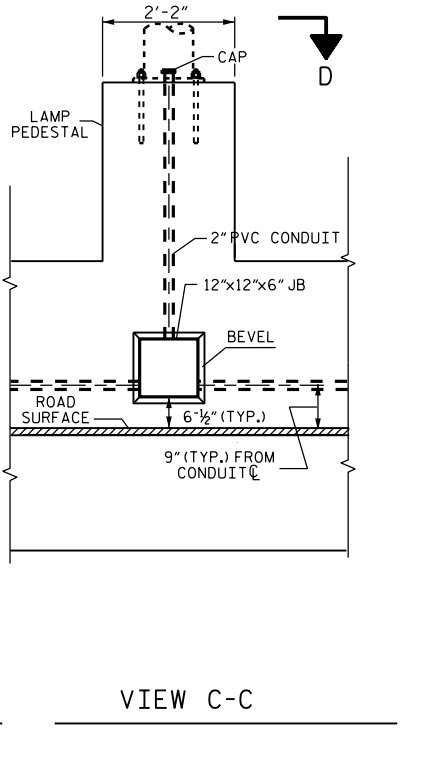
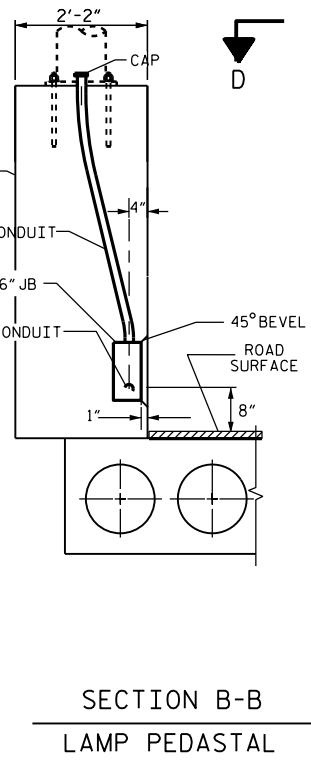
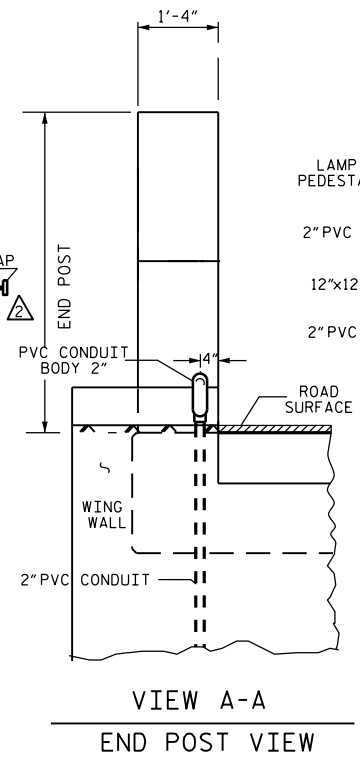


USE FOR ELECTRICAL CONDUIT SYSTEM ONLY



- NOTES**
- △ COORDINATE POWER SERVICE WITH THE CITY.
 - △ COORDINATE CONNECTION OF CONDUIT WITH CITY.
 - △ SEE STRUCTURE PLANS FOR LOCATION OF LAMP PEDESTALS.
 - △ ANCHOR BOLTS WILL BE PROVIDED AND INSTALLED BY OTHERS AT A LATER DATE.

ESTIMATED BILL OF MATERIALS		
UNIT	ITEM	QNTY
EA	PCJB: 12"x11"x18" POLYMER CONCRETE JUNCTION BOX	4
EA	BRJB : 12"x12"x6" CAST IRON FLUSH MOUNT JUNCTION BOX	6
EA	2" PVC CONDUIT	730'
EA	2" PVC 90 BELL ELBOW	16
EA	PVC CONDUIT BODY 2"	4
FT	PULL LINE	900



★ AS PER POLE MANUFACTURER'S SPECIFICATION, POLE TO BE PROVIDED BY OTHERS.

PROJECT NO. B-5125
MACON COUNTY
 STATION: 13+25.89 -L-

SHEET ECS-1 OF 1



STATE OF NORTH CAROLINA
 DEPARTMENT OF TRANSPORTATION
 RALEIGH

ELECTRICAL CONDUIT SYSTEM FOR LIGHTING

REVISIONS					SHEET NO.	
NO.	BY:	DATE:	NO.	BY:	DATE:	TOTAL SHEETS
1			3			43
2			4			

DOCUMENT NOT CONSIDERED FINAL UNLESS ALL SIGNATURES COMPLETED

DRAWN BY : SKS DATE :
 CHECKED BY : PKC DATE : 5/20/16
 DESIGN ENGINEER OF RECORD: DATE :