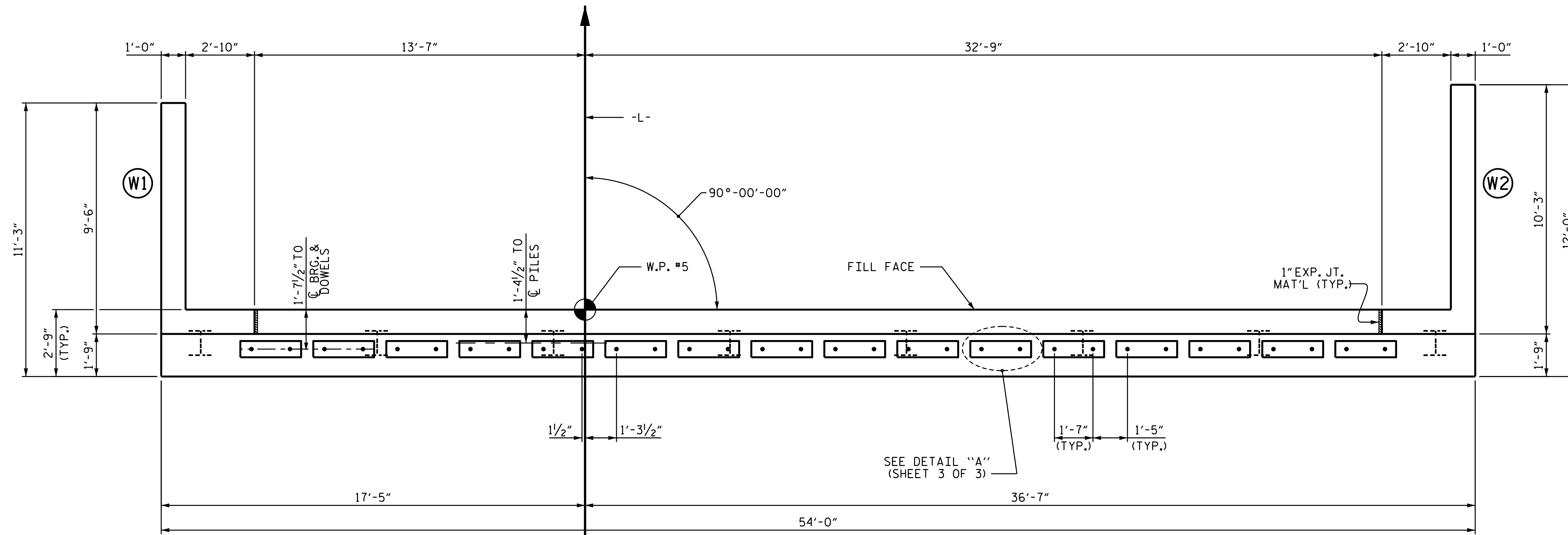
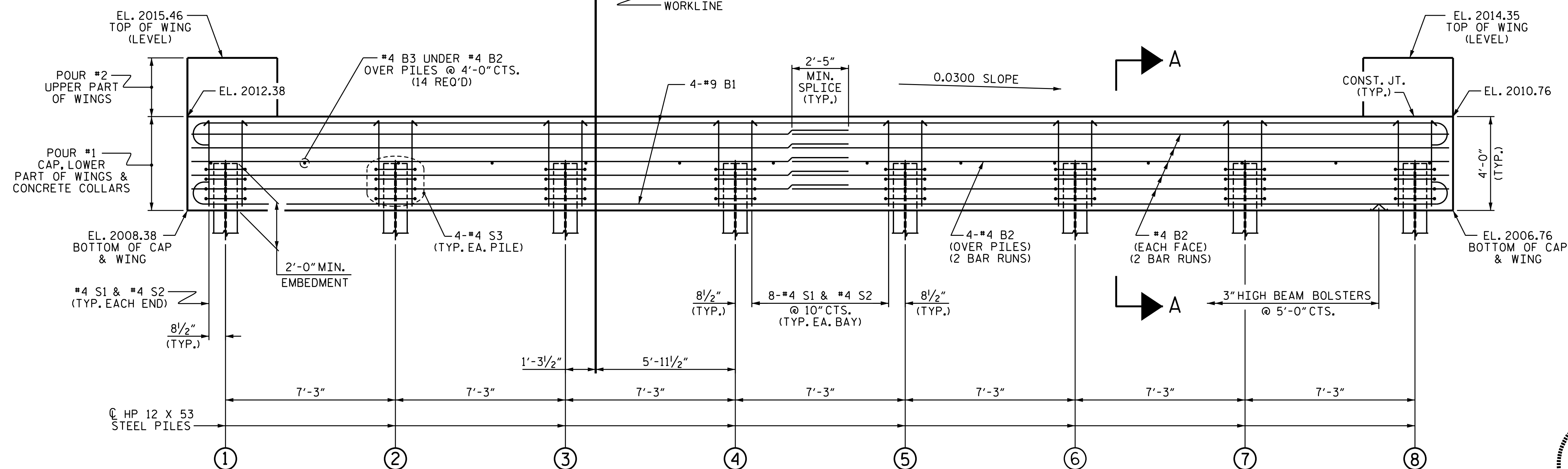


NOTES

STIRRUPS IN CAP MAY BE SHIFTED AS NECESSARY TO CLEAR DOWELS.
 FOR PILE SPLICE DETAILS, SEE SHEET 3 OF 3.
 FOR WING DETAILS, SEE SHEET 2 OF 3.



PLAN



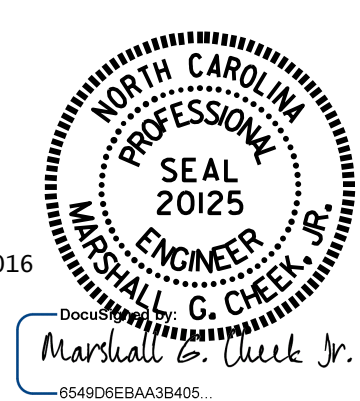
ELEVATION

WINGS NOT SHOWN FOR CLARITY.
 FOR SECTION A-A, SEE SHEET 3 OF 3.
 CONCRETE COLLARS FOR STEEL PILES NOT SHOWN IN PLAN AND ELEVATION VIEWS FOR CLARITY.
 SEE "CORROSION PROTECTION FOR STEEL PILES DETAIL", SHEET 3 OF 3.

TOP OF PILE ELEVATIONS	
①	2010.35
②	2010.13
③	2009.92
④	2009.70
⑤	2009.48
⑥	2009.26
⑦	2009.05
⑧	2008.83

PROJECT NO. B-5125
 MACON COUNTY
 STATION: 13+25.89 -L-

SHEET 1 OF 3



STATE OF NORTH CAROLINA
 DEPARTMENT OF TRANSPORTATION
 RALEIGH

**SUBSTRUCTURE
 END BENT No. 2**

DRAWN BY : B.N. GRADY DATE : 4-16
 CHECKED BY : H. T. BARBOUR DATE : 4-18-16
 DESIGN ENGINEER OF RECORD: W.J. HARRIS DATE : 5-16

DOCUMENT NOT CONSIDERED
 FINAL UNLESS ALL
 SIGNATURES COMPLETED

REVISIONS						SHEET NO.
NO.	BY:	DATE:	NO.	BY:	DATE:	S-34
1			3			TOTAL SHEETS
2			4			43