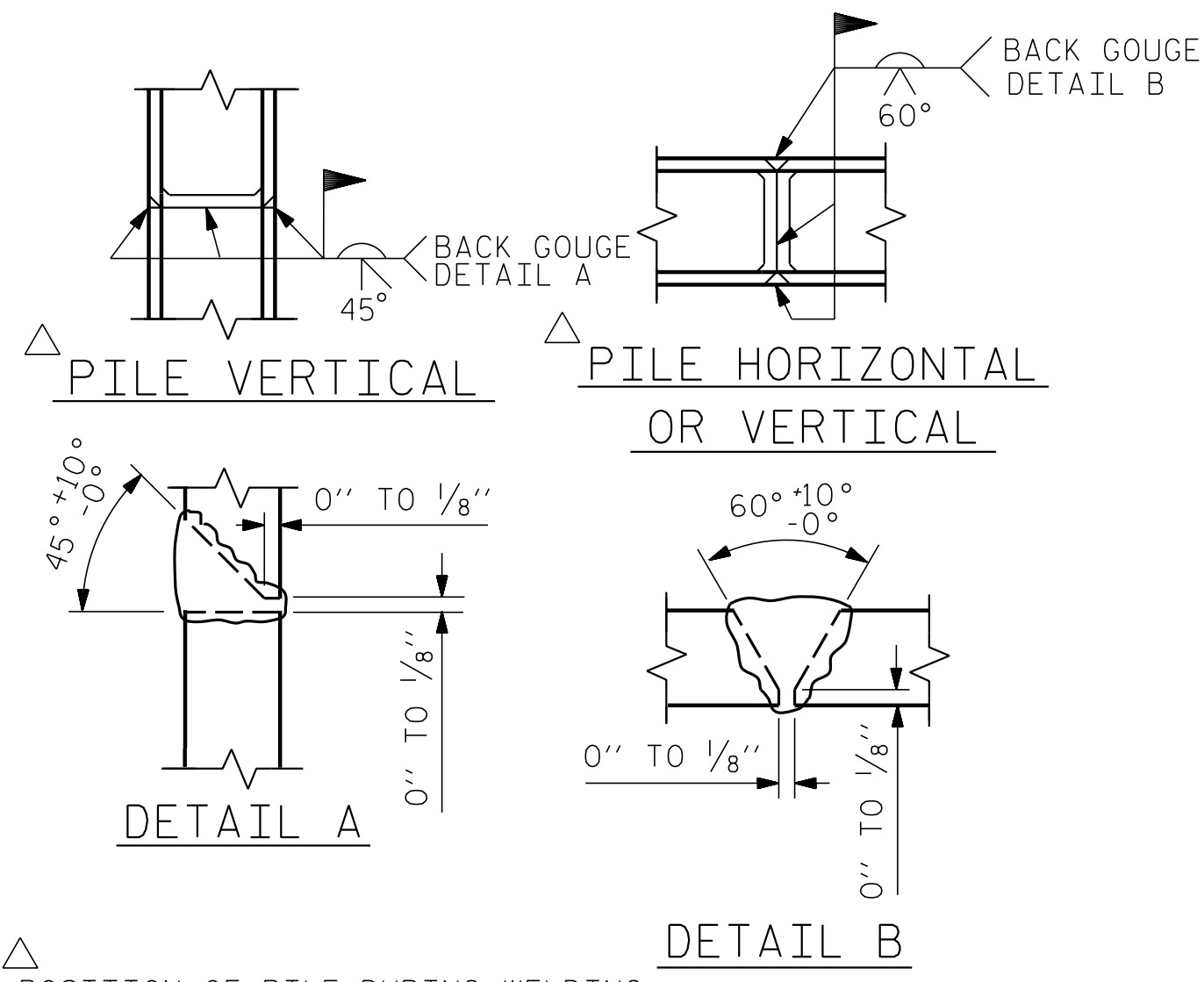


BAGGED STONE AND PIPE SHALL BE PLACED IMMEDIATELY AFTER COMPLETION OF END BENT EXCAVATION. PIPE MAY BE EITHER CONCRETE, CORRUGATED STEEL, CORRUGATED ALUMINUM ALLOY, OR CORRUGATED PLASTIC. PERFORATED PIPE WILL NOT BE ALLOWED.

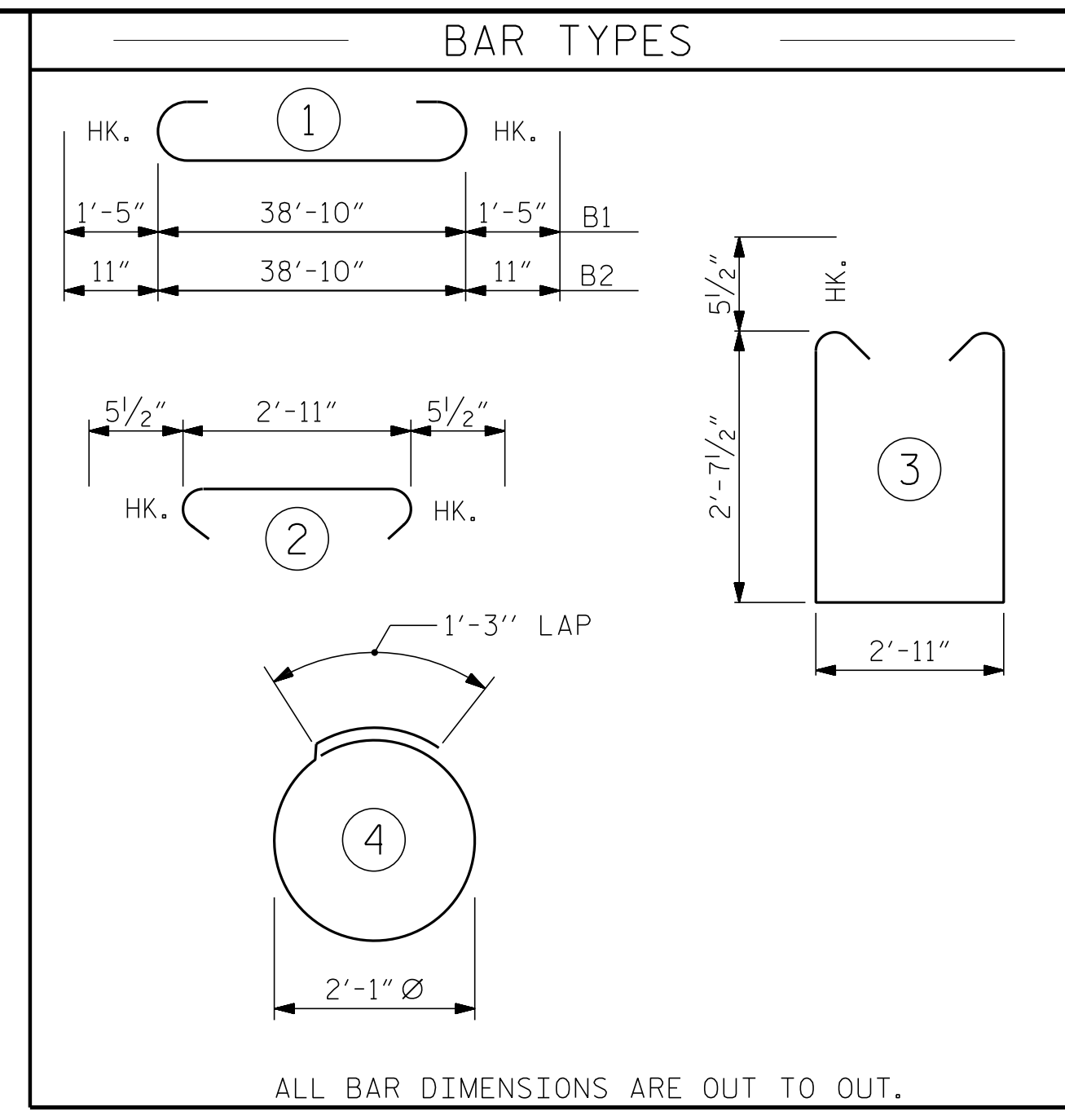
BAGGED STONE SHALL REMAIN IN PLACE UNTIL THE ENGINEER DIRECTS THAT IT BE REMOVED. THE CONTRACTOR SHALL REMOVE AND DISPOSE OF SILT ACCUMULATIONS AT BAGGED STONE WHEN SO DIRECTED BY THE ENGINEER. BAGS SHALL BE REMOVED AND REPLACED WHENEVER THE ENGINEER DETERMINES THAT THEY HAVE DETERIORATED AND LOST THEIR EFFECTIVENESS.

NO SEPARATE PAYMENT WILL BE MADE FOR THIS WORK AND THE ENTIRE COST OF THIS WORK SHALL BE INCLUDED IN THE UNIT CONTRACT PRICE BID FOR THE SEVERAL PAY ITEMS.

TEMPORARY DRAINAGE AT END BENT

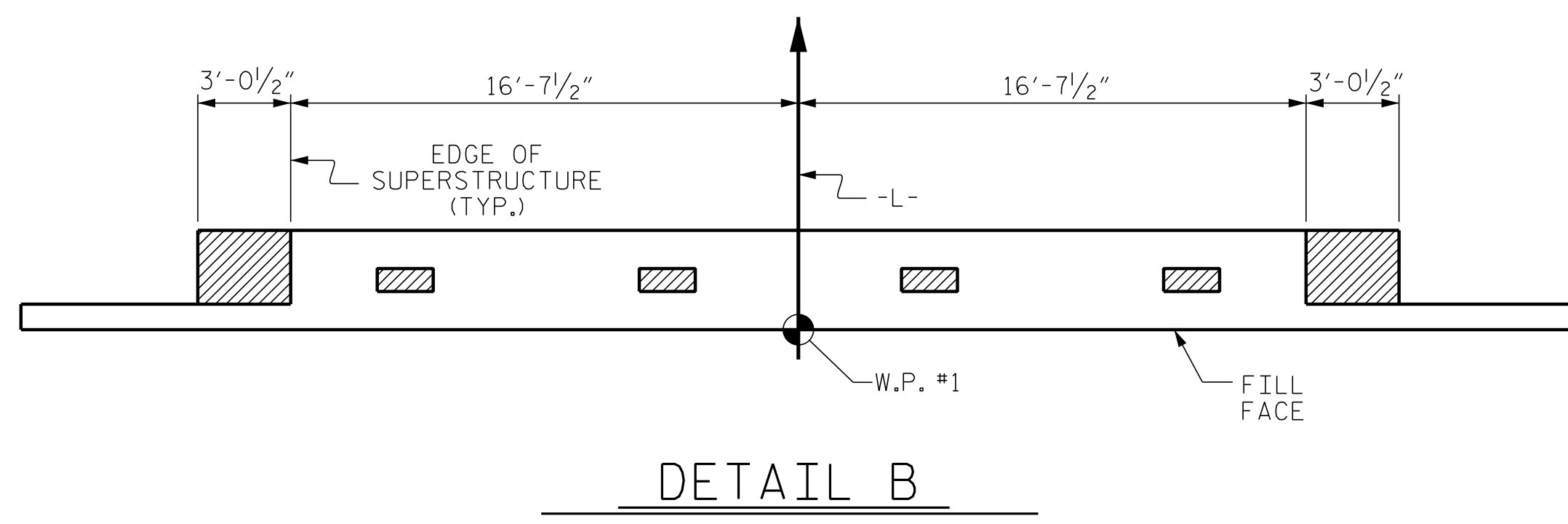


PILE SPLICE DETAILS

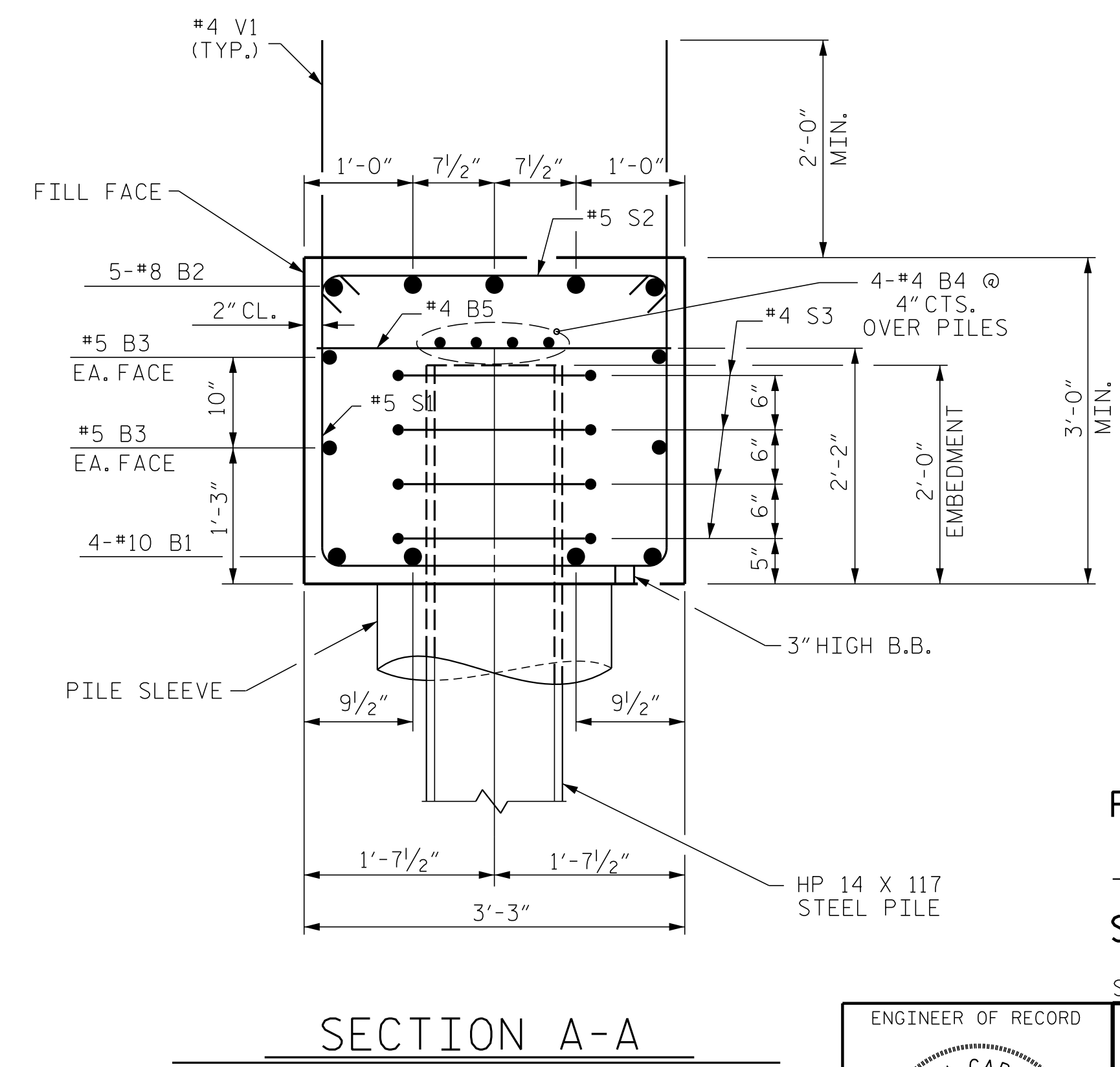


BILL OF MATERIAL					
END BENT No. 1					
BAR	NO.	SIZE	TYPE	LENGTH	WEIGHT
B1	4	#10	1	41'-8"	717
B2	5	#8	1	40'-8"	543
B3	4	#5	STR	39'-0"	163
B4	8	#4	STR	20'-9"	111
B5	10	#4	STR	2'-11"	19
H1	48	#5	STR	9'-5"	471
S1	37	#5	3	9'-1"	351
S2	37	#5	2	3'-10"	148
S3	32	#4	4	7'-10"	167
V1	52	#4	STR	4'-9"	165
V2	52	#5	STR	8'-5"	456
REINFORCING STEEL					3,311 LBS.

CLASS A CONCRETE BREAKDOWN	
POUR #1 CAP & LOWER PART OF WINGS	15.6 C.Y.
POUR #2 UPPER PART OF WINGS	3.5 C.Y.
TOTAL CLASS A CONCRETE	19.1 C.Y.
HP 14 X 117 STEEL PILES	
NO: 8	LIN. FT. = 696
PILE REDRIVE	8 EA.



SHADING DEFINES AREAS NOT TO BE RAKED, SEE NOTE SHEET 1 OF 3



PROJECT NO. R-5769

JOHNSTON COUNTY

STATION: 33+26.33 -L-

SHEET 3 OF 3

ENGINEER OF RECORD

JOHN T. DUFFE III

026891

8/16/2016

ETHERILL ENGINEERING

1223 Jones Franklin Rd. Raleigh, N.C. 27606

Bus: 919 851 8077 Fax: 919 851 8107 LICENSE NO. F-0377

REVISIONS					
NO.	BY:	DATE:	NO.	BY:	DATE:
1			3		
2			4		

SHEET NO. S-18

TOTAL SHEETS 23

DRAWN BY: D. HODGE DATE: 5/16

CHECKED BY: J. DILWORTH DATE: 6/16

DOCUMENT NOT CONSIDERED FINAL UNLESS ALL SIGNATURES COMPLETED

P:\2016\AR-5769\Structures\DGMR5769_SD_STR_L_EBT.dgn
 8/16/2016 9:58:29 AM