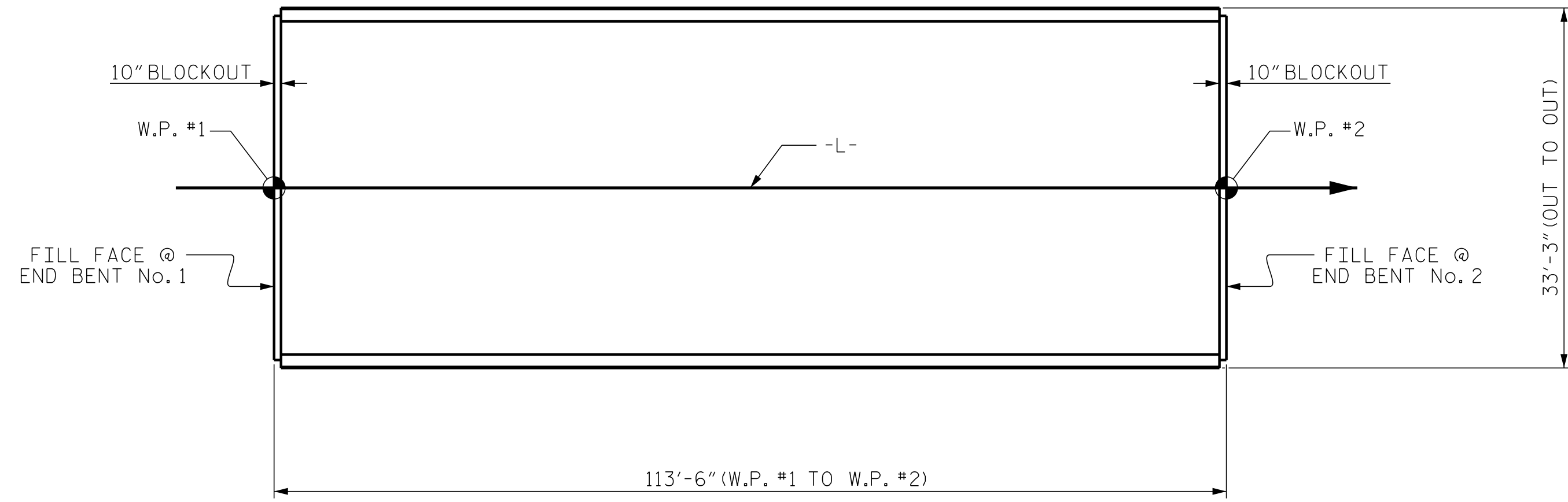
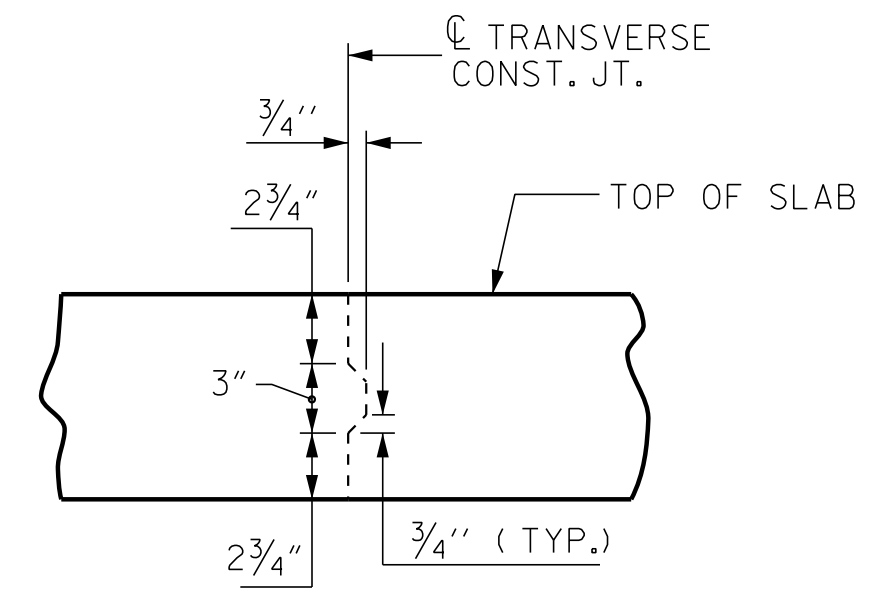


**POURING SEQUENCE**



**LAYOUT FOR COMPUTING AREA  
REINFORCED CONCRETE DECK SLAB  
(SQ. FT. = 3,774)**

BAR SIZE	SUPERSTRUCTURE EXCEPT APPROACH SLABS, PARAPET, AND BARRIER RAIL		APPROACH SLABS		PARAPET AND BARRIER RAIL
	EPOXY COATED	UNCOATED	EPOXY COATED	UNCOATED	
#4	2'-0"	1'-9"	2'-0"	1'-9"	2'-9"
#5	2'-6"	2'-2"	2'-6"	2'-2"	3'-5"
#6	3'-0"	2'-7"	3'-10"	2'-7"	4'-4"
#7	5'-3"	3'-6"			
#8	6'-10"	4'-7"			



**TRANSVERSE CONSTRUCTION JOINT DETAIL**

NOTE: REINFORCING STEEL IN SLAB NOT SHOWN. LONGITUDINAL REINFORCING STEEL SHALL BE CONTINUOUS THRU JOINT

**BAR TYPES**

ALL BAR DIMENSIONS ARE OUT TO OUT

**—SUPERSTRUCTURE BILL OF MATERIAL—**

	CLASS AA CONCRETE (CU. YDS.)	REINFORCING STEEL (LBS.)	* EPOXY COATED REINFORCING STEEL (LBS.)
POUR #1	102.6		
POUR #2	44.8		
<b>TOTALS**</b>	147.4	12,245	13,022

\*\*QUANTITIES FOR BARRIER RAIL ARE NOT INCLUDED

**GROOVING BRIDGE FLOORS**

APPROACH SLABS	774 SQ.FT.
BRIDGE DECK	3,011 SQ.FT.
<b>TOTAL</b>	<b>3,785 SQ.FT.</b>

**BILL OF MATERIAL**

BAR	NO.	SIZE	TYPE	LENGTH	WEIGHT
* A1	206	#5	STR	32'-11"	7072
A2	206	#5	STR	32'-11"	7072
* B1	8	#4	STR	29'-5"	157
* B2	86	#7	STR	22'-6"	3955
* B3	66	#4	STR	24'-10"	1095
B4	74	#5	STR	56'-10"	4387
K1	20	#4	STR	16'-5"	219
K2	6	#4	STR	6'-7"	26
K3	12	#4	STR	7'-7"	61
K4	6	#4	STR	7'-1"	28
K5	6	#4	STR	6'-1"	24
K6	8	#4	STR	2'-7"	14
K7	8	#4	STR	3'-1"	16
K8	4	#4	STR	2'-4"	6
* S1	50	#4	1	11'-11"	398
* S2	50	#4	1	10'-4"	345
U1	50	#4	2	10'-11"	365
U2	4	#4	2	10'-1"	27
REINFORCING STEEL				LBS.	12,245
* EPOXY COATED REINFORCING STEEL				LBS.	13,022

\* THESE BARS ARE EPOXY COATED.

PROJECT NO. R-5769  
JOHNSTON COUNTY  
 STATION: 33+26.33 -L-

ENGINEER OF RECORD

1223 Jones Franklin Rd.  
 Raleigh, N.C. 27606  
 Bus: 919 851 8077  
 Fax: 919 851 8107  
 LICENSE NO. F-0377

STATE OF NORTH CAROLINA  
 DEPARTMENT OF TRANSPORTATION  
 RALEIGH

**SUPERSTRUCTURE  
 BILL OF MATERIAL**

REVISIONS				SHEET NO.	
NO.	BY:	DATE:	NO.	BY:	DATE:
1			3		
2			4		

TOTAL SHEETS: 23

DRAWN BY: D. HODGE DATE: 3/16  
 CHECKED BY: G.M. GILLAND DATE: 3/16

P:\2016\AR-5769\Structures\DCM\AR5769\_SD\_STR\_L\_BM.dgn  
 8/16/2016 10:12:35 AM