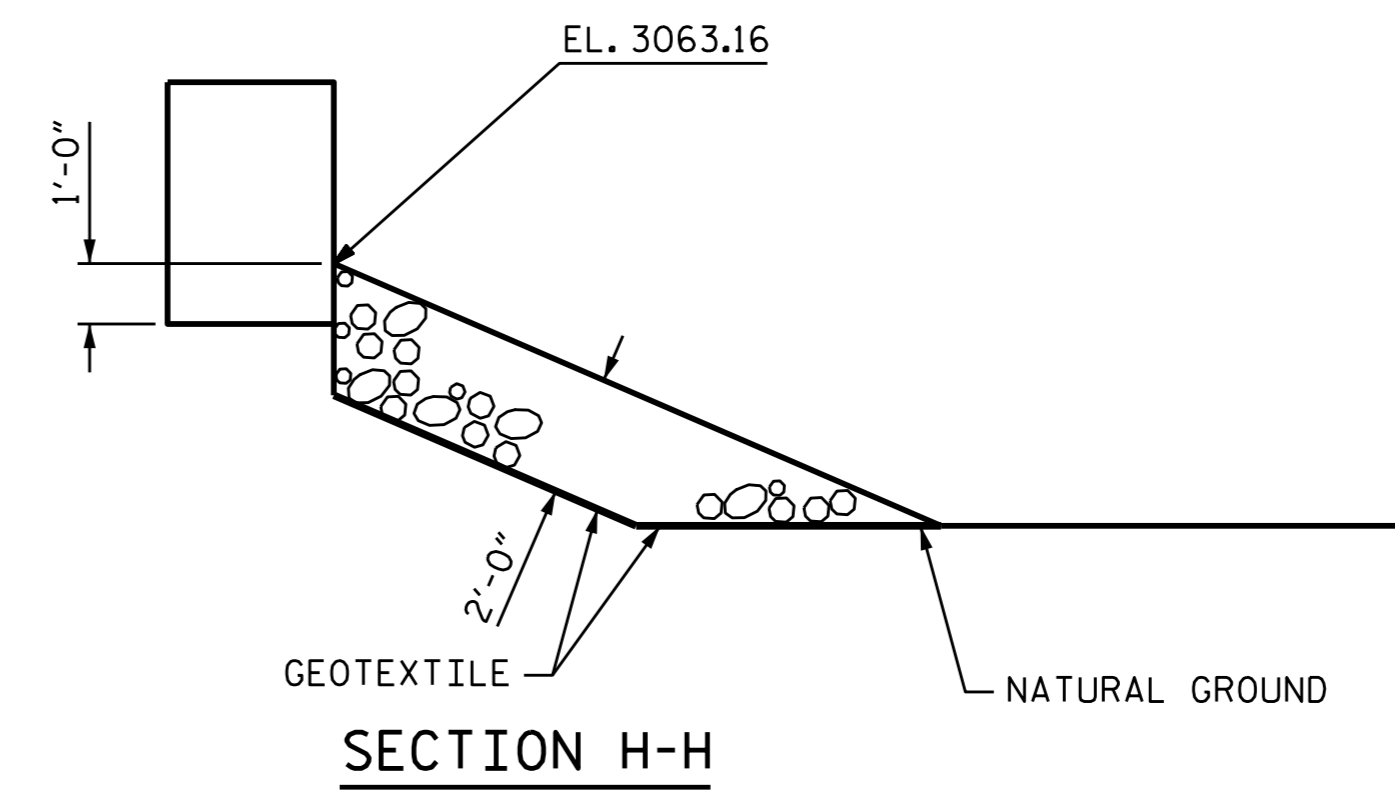


PLAN @ END BENT No. 1

ESTIMATED QUANTITIES		
BRIDGE @ STA. 12+31.30 -L-	RIP RAP CLASS II (2'-0" THICK)	GEOTEXTILE FOR DRAINAGE
	TONS	SQUARE YARDS
END BENT 1	11.0	12.0



PROJECT NO. B-5380  
AVERY COUNTY  
STATION: 12+31.30 -L-



DocuSigned by:  
Wael Arafat  
478C83A32B408  
8/23/2016

STATE OF NORTH CAROLINA  
DEPARTMENT OF TRANSPORTATION  
RALEIGH

RIP RAP

DRAWN BY : H. T. BARBOUR DATE : 5-20-15  
CHECKED BY : V. X. NGUYEN DATE : 7-16

DOCUMENT NOT CONSIDERED  
FINAL UNLESS ALL  
SIGNATURES COMPLETED

REVISIONS						SHEET NO.
NO.	BY:	DATE:	NO.	BY:	DATE:	TOTAL SHEETS
1			3			S-13
2			4			16