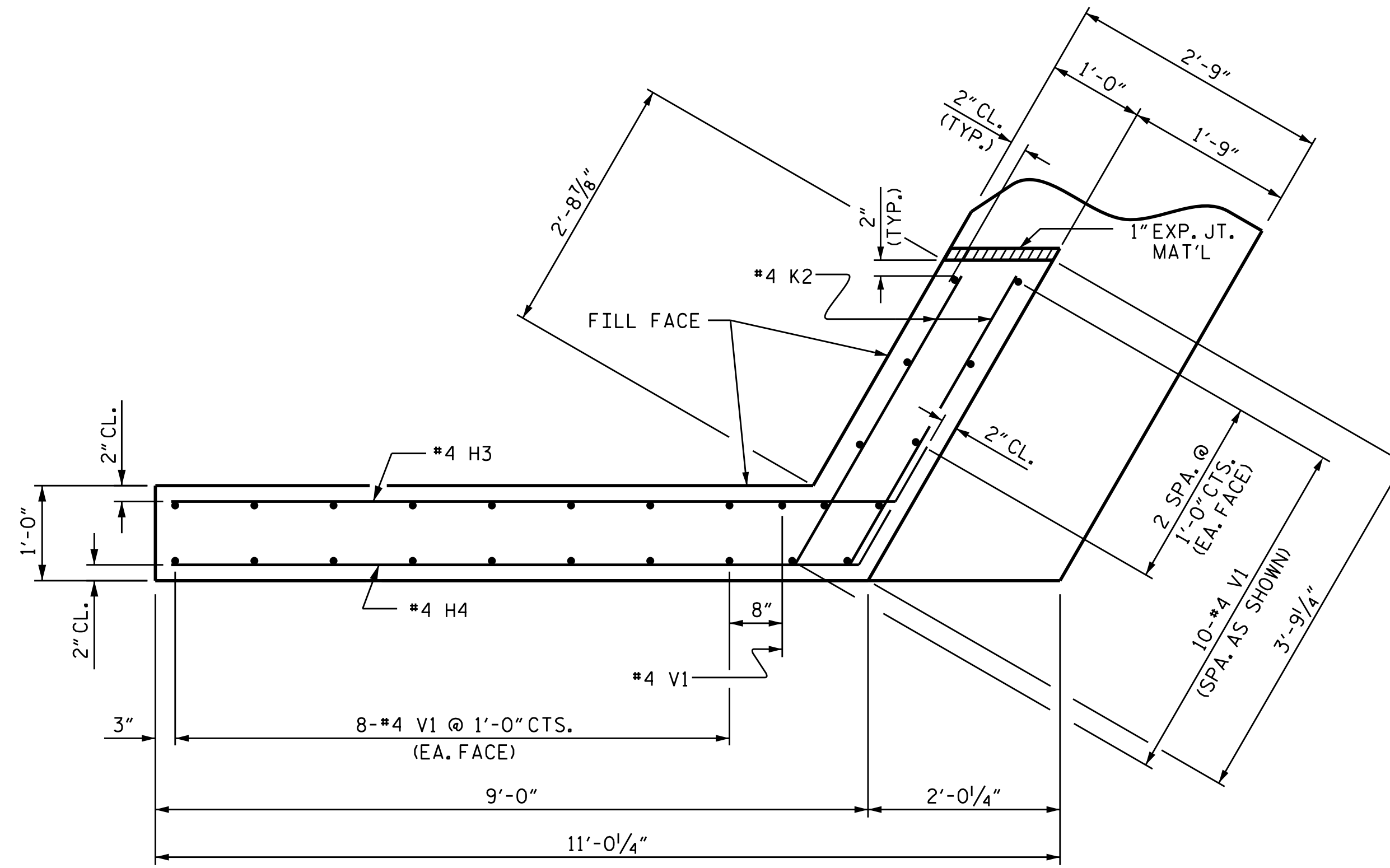
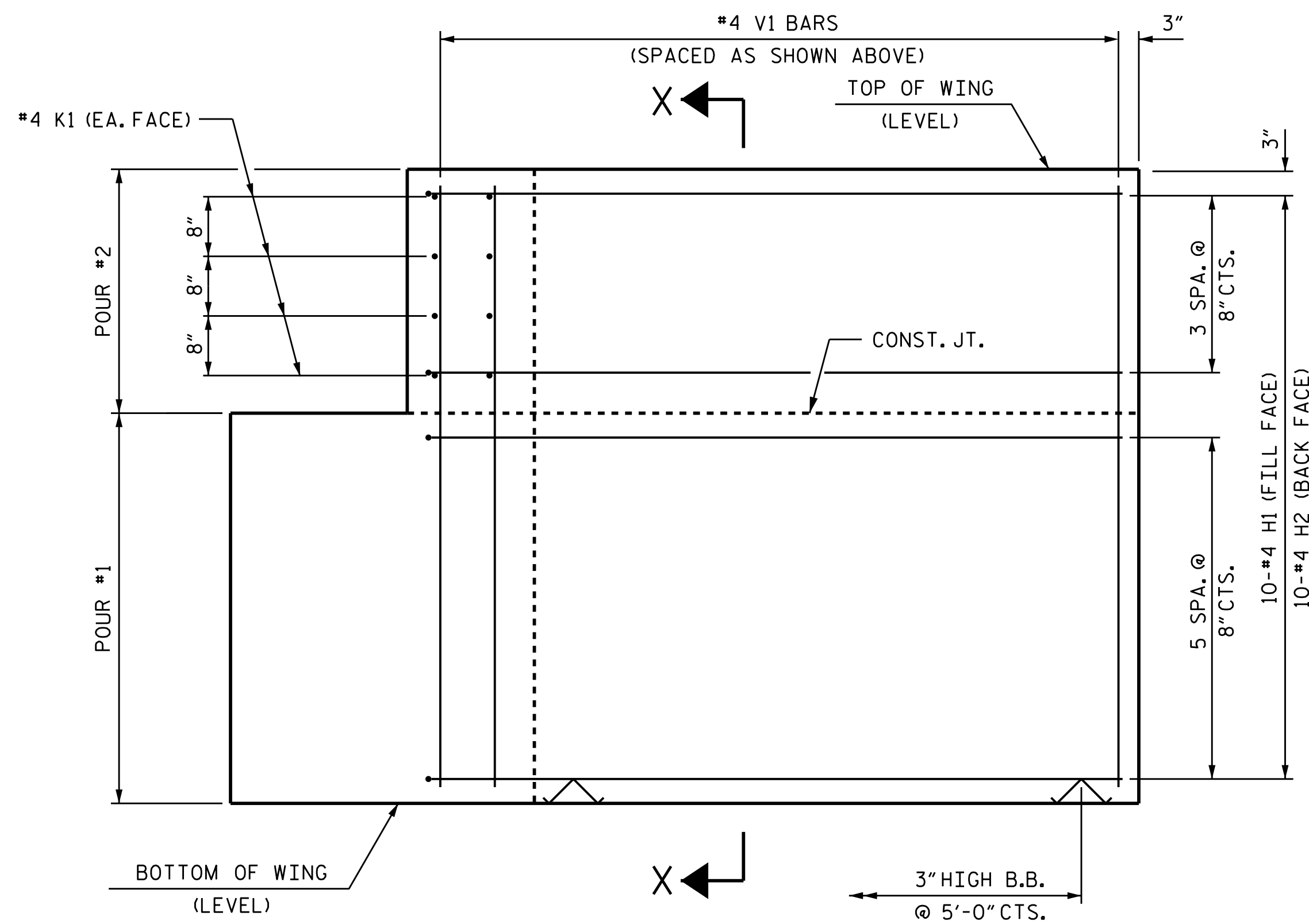


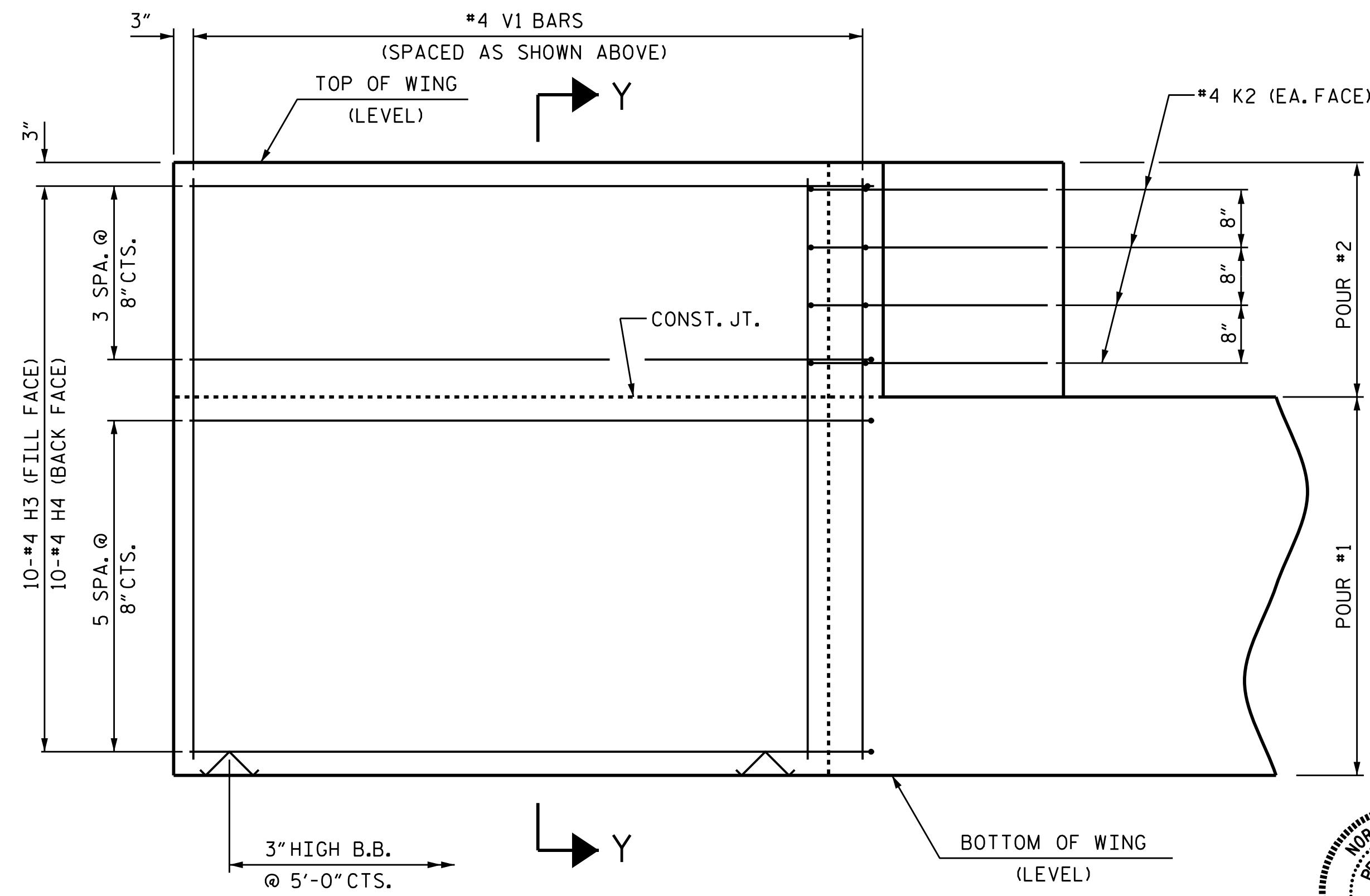
PLAN OF WING (W1)



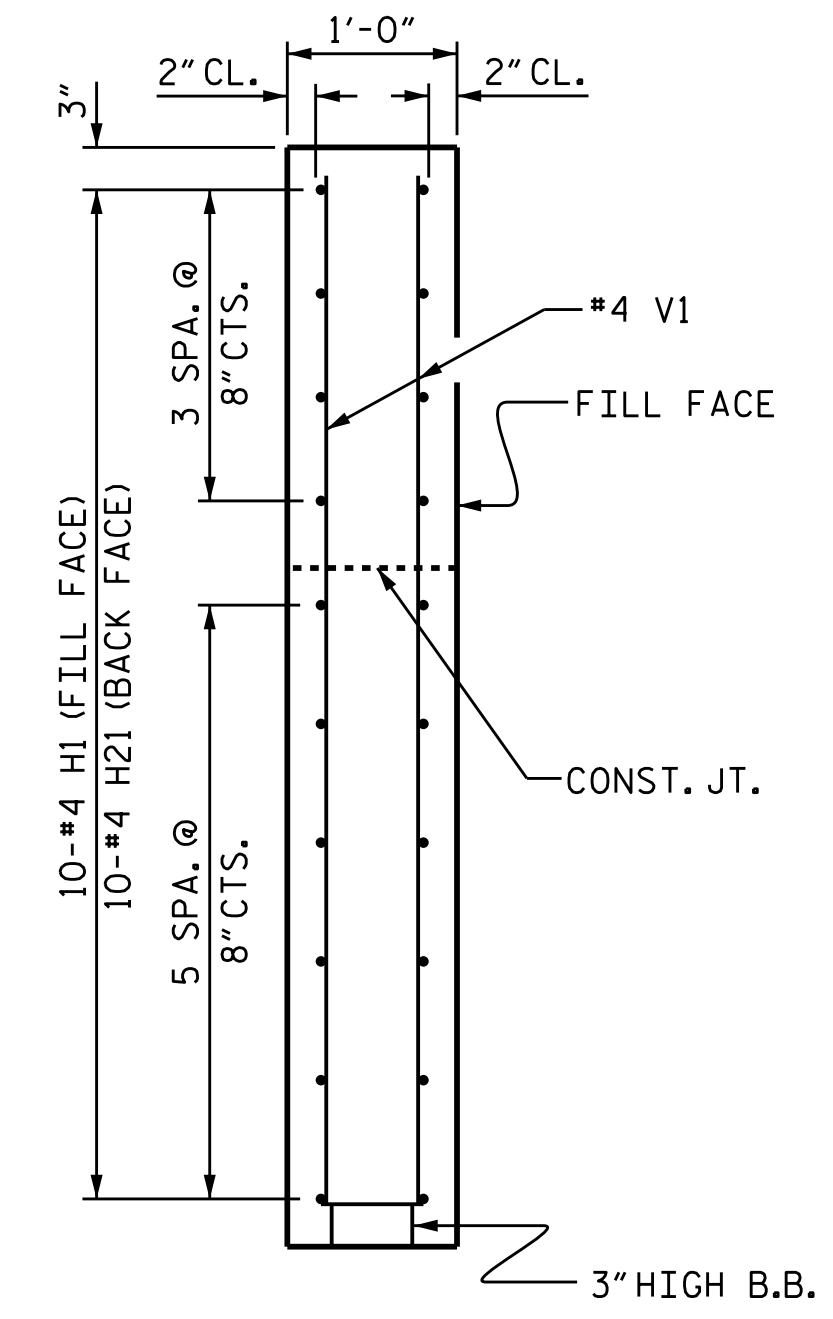
PLAN OF WING (W2)



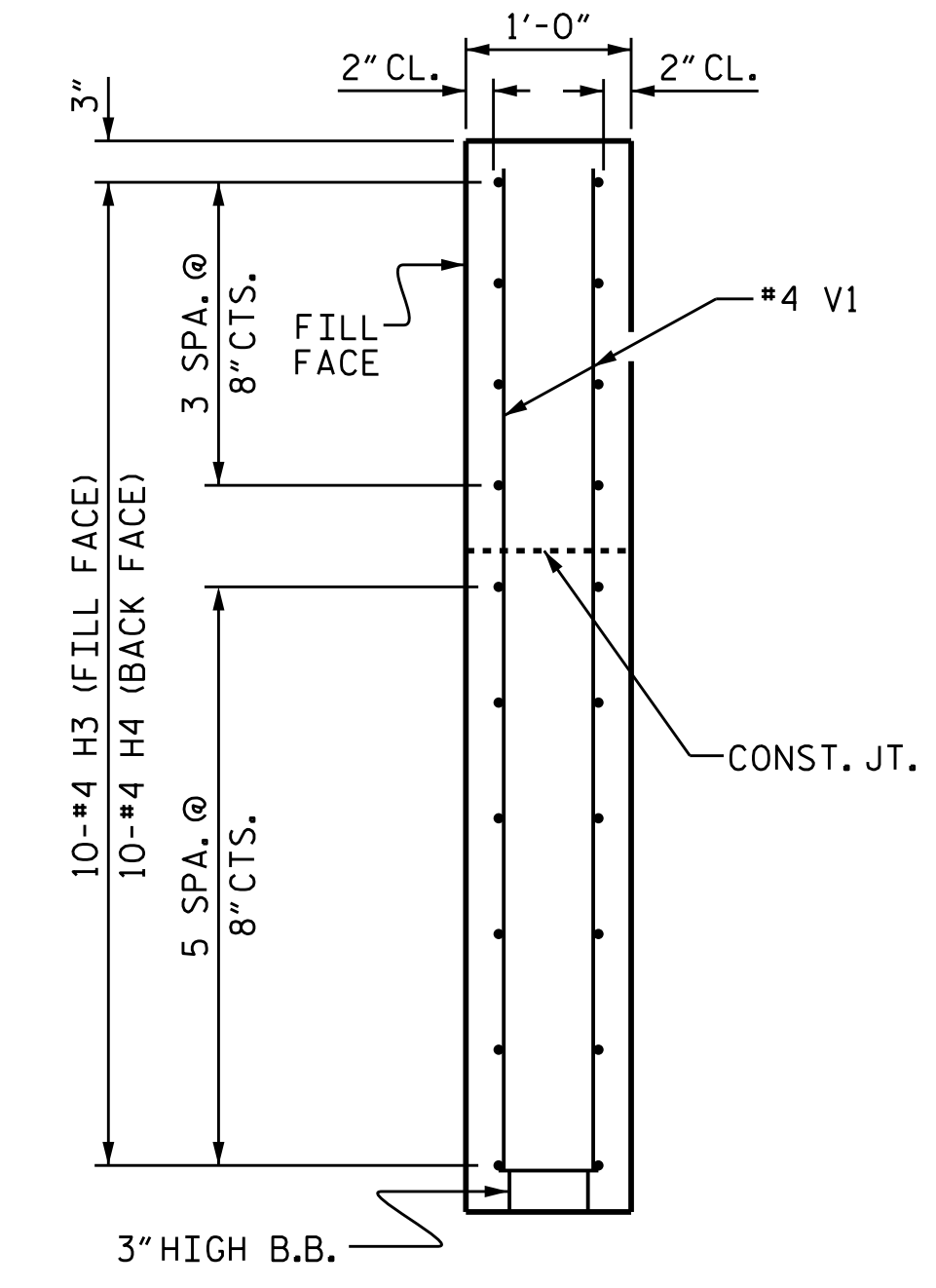
ELEVATION OF WING (W1)



ELEVATION OF WING (W2)



SECTION X-X

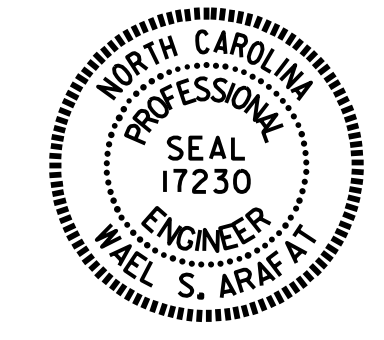


SECTION Y-Y

WING DETAILS

DRAWN BY: H. T. BARBOUR DATE: 5-4-16
 CHECKED BY: V. X. NGUYEN DATE: 5-16
 DESIGN ENGINEER OF RECORD: A. M. LEE DATE: 7-16

DOCUMENT NOT CONSIDERED
 FINAL UNLESS ALL
 SIGNATURES COMPLETED



PROJECT NO. B-5380
 AVERY COUNTY
 STATION: 12+31.30 -L-
 SHEET 3 OF 4

REVISIONS						SHEET NO.	
NO.	BY:	DATE:	NO.	BY:	DATE:	S-11	
1			3			TOTAL SHEETS	
2			4			16	

STATE OF NORTH CAROLINA
 DEPARTMENT OF TRANSPORTATION
 RALEIGH
 SUBSTRUCTURE
 END BENT
 WING DETAILS