

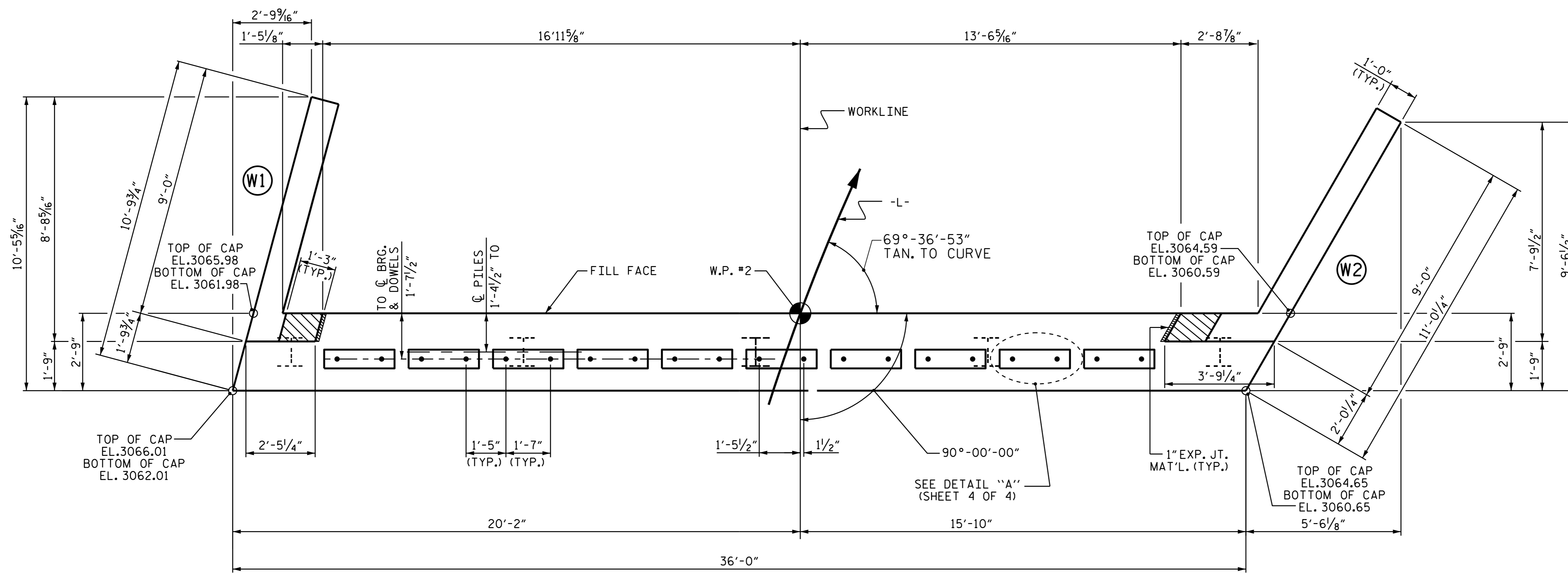
**NOTES**

STIRRUPS IN CAP MAY BE SHIFTED AS NECESSARY TO CLEAR DOWELS.

THE CONCRETE IN THE SHADED AREA OF THE WING SHALL BE POURED AFTER THE VERTICAL CONCRETE BARRIER RAIL IS CAST IF SLIP FORMING IS USED.

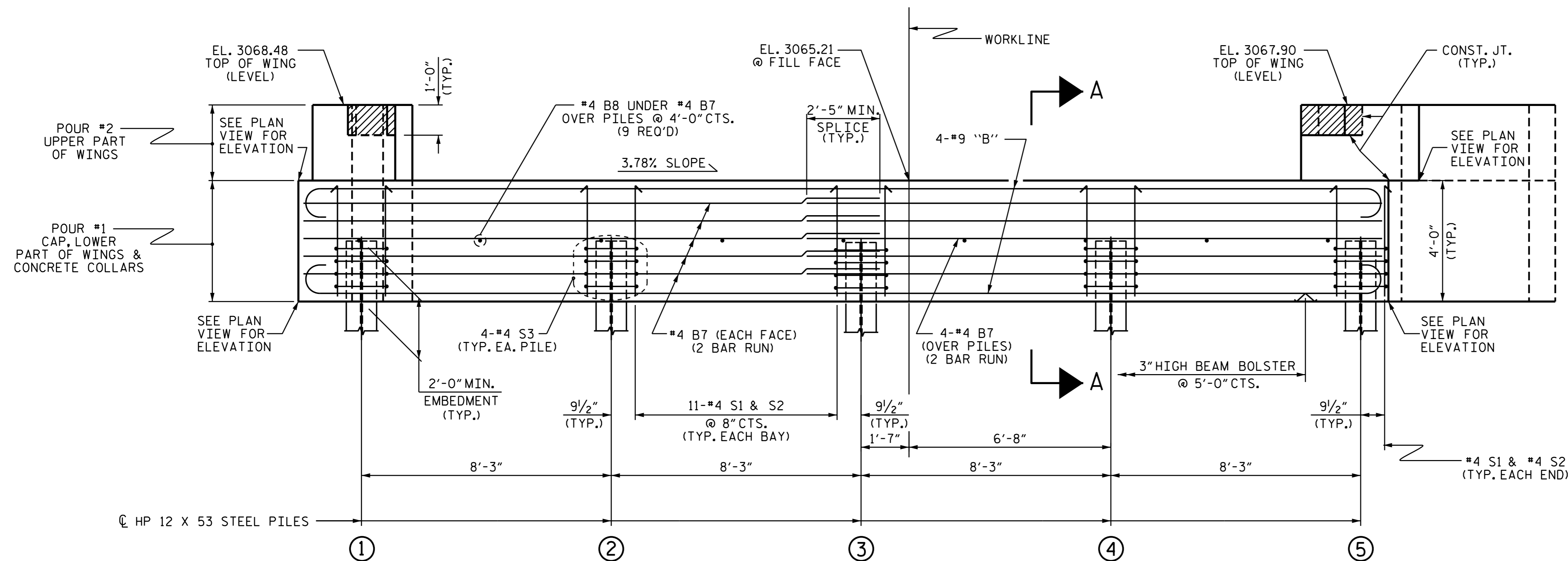
FOR PILE SPLICE DETAILS, SEE SHEET 4 OF 4.

FOR WING DETAILS, SEE SHEET 3 OF 4.



**PLAN**

TOP OF PILE ELEVATIONS	
①	EL. 3063.93
②	EL. 3063.62
③	EL. 3063.31
④	EL. 3062.99
⑤	EL. 3062.68



**ELEVATION**

FOR SECTION A-A, SEE SHEET 4 OF 4.  
 CONCRETE COLLARS FOR STEEL PILES NOT SHOWN IN PLAN AND ELEVATION VIEWS FOR CLARITY.  
 SEE "CORROSION PROTECTION FOR STEEL PILES DETAIL", SHEET 4 OF 4.

PROJECT NO. B-5380  
AVERY COUNTY  
 STATION: 12+31.30 -L-

SHEET 2 OF 4

STATE OF NORTH CAROLINA  
 DEPARTMENT OF TRANSPORTATION  
 RALEIGH

SUBSTRUCTURE  
 END BENT No. 2



DocuSigned by:  
 Wael Arafa  
 4198C1A32AB408  
 8/23/2016

DRAWN BY: H. T. BARBOUR DATE: 5-4-16  
 CHECKED BY: V. X. NGUYEN DATE: 5-16  
 DESIGN ENGINEER OF RECORD: A. M. LEE DATE: 7-16

DOCUMENT NOT CONSIDERED  
 FINAL UNLESS ALL  
 SIGNATURES COMPLETED

REVISIONS						SHEET NO. 5-10
NO.	BY:	DATE:	NO.	BY:	DATE:	
1			3			TOTAL SHEETS 16
2			4			