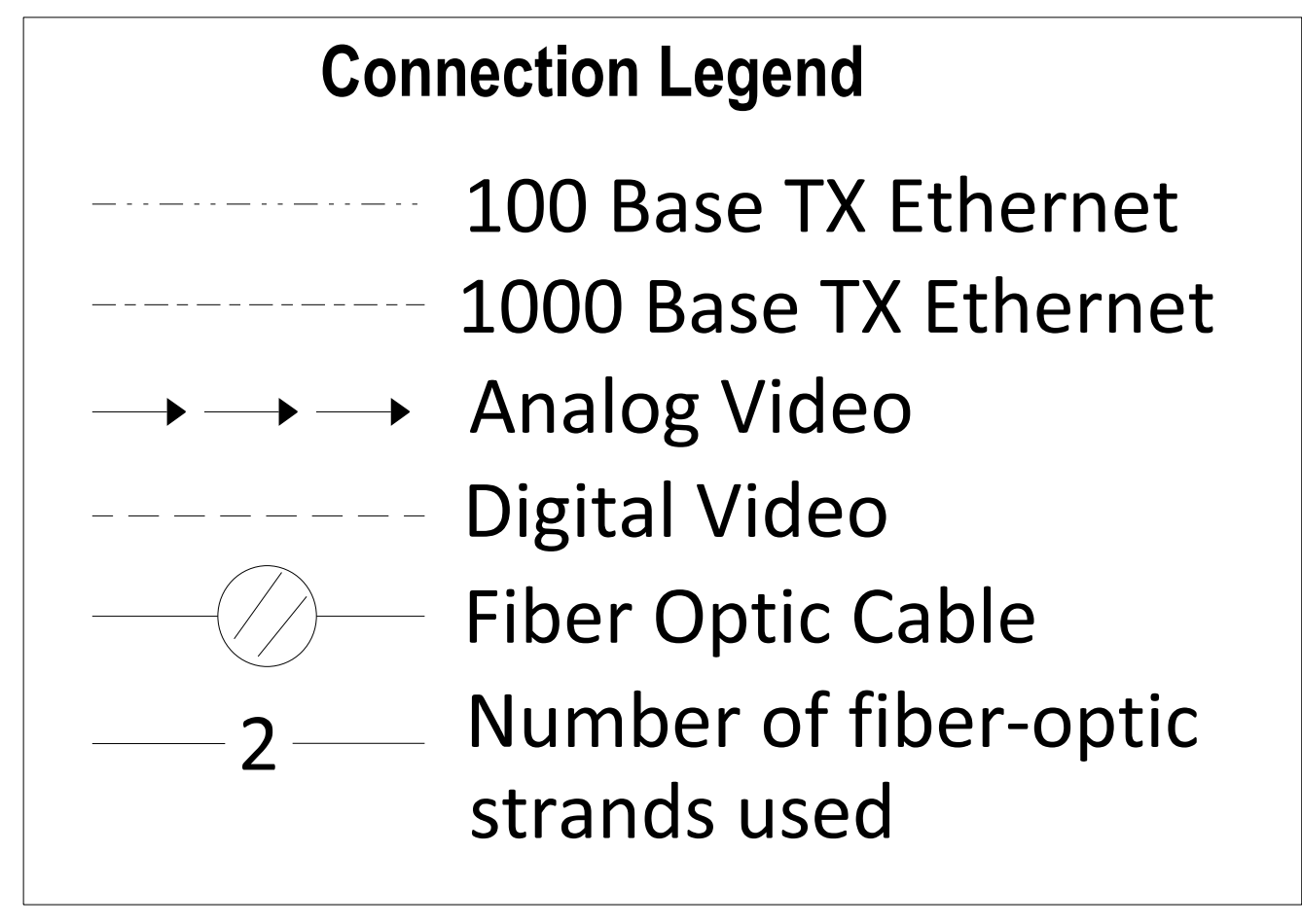


- \*1) Contractor Furnished, Installed, and Maintained
- \*2) Contractor Furnished and Installed, NCDOT Maintained
- \*3) State Maintained
- \*4) Contractor Owned and Maintained Equipment



27-JUN-2016 15:55  
 I:\Product\For\ITS\NCDOT\00042047 I-540 Ramp Meter Design\Mobility and Safety TD\ITS Task 3 and 4 - ITS Plans\ITS-06 Signal Equipment-Block Diagram.dgn  
 WLE2054 AT DUS300019

**ATKINS** 5200 77 CENTER DRIVE, SUITE 500  
 CHARLOTTE, NORTH CAROLINA 28217  
 (704) 522-7275 NCBEES #F-0326

**DOCUMENT NOT CONSIDERED FINAL  
 UNLESS ALL SIGNATURES COMPLETED**

	<b>I-540 Ramp Metering                  Signal Equipment                  Block Diagram (1 of 2)</b>		
	Division 5 Wake County Raleigh		
PLAN DATE: June 2016	REVIEWED BY: H A Badgett		
PREPARED BY: P M Blaiklock	REVIEWED BY: J T Brooks		
REVISIONS		INIT.	DATE
N.T.S.			
		DocuSigned by: 	6/27/2016
		DATE	

CADD Filename: ITS-06 Signal Equipment