

- 1 SIGNAL CABLE
- 2 LOOP LEAD-IN CABLE
- 3 INSTALL #3 AWG CONDUCTOR POWER CABLES
- 3A INSTALL #10 CONDUCTOR POWER CABLES
- 3B INSTALL SERVICE CONDUCTORS
- 4 INSTALL SMFO CABLE
- 5 INSTALL ETHERNET CABLE
- 5A INSTALL COMPOSITE VIDEO CABLE
- 6 INSTALL FIBER-OPTIC DROP CABLE
- 7 INSTALL TRACER WIRE
- 8 INSTALL UNPAVED TRENCHED CONDUIT
- 9 INSTALL PVC CONDUIT
- 10 INSTALL RIGID, GALVANIZED STEEL CONDUIT
- 11 INSTALL RIGID, GALVANIZED STEEL RISER WITH WEATHERHEAD
- 12 INSTALL RIGID, GALVANIZED STEEL RISER WITH HEAT SHRINK TUBING
- 13 INSTALL OUTER-DUCT POLYETHYLENE CONDUIT
- 14 INSTALL HIGH DENSITY POLYETHYLENE (HDPE) CONDUIT
- 15 DIRECTIONAL DRILL CONDUIT
- 16 BORE AND JACK CONDUIT
- 17 INSTALL CABLE(S) IN EXISTING CONDUIT
- 18 INSTALL CABLE(S) IN NEW CONDUIT
- 19 INSTALL CABLE(S) IN EXISTING RISER
- 20 INSTALL CABLE(S) IN NEW RISER
- 21 INSTALL CABLE(S) IN EXISTING CONDUIT STUBOUTS
- 22 INSTALL NEW CONDUIT INTO EX CABINET BASE (USE EX CONDUIT STUB-OUTS WHEN AVAILABLE)
- 23 INSTALL NEW RISER INTO CABINET BASE (USE EX CONDUIT STUBOUTS WHEN AVAILABLE)
- 24 INSTALL NEW CONDUIT INTO POLE MOUNTED CABINET
- 25 INSTALL NEW RISER INTO EXISTING POLE MOUNTED CABINET
- 26 MODIFY EXISTING SPLICE
- 27 INSTALL ETHERNET EDGE SWITCH
- 28 INSTALL INTERCONNECT CENTER, PATCH PANEL, JUMPERS, AND FUSION SPLICE CABLE IN CABINET
- 29 INSTALL UNDERGROUND SPLICE ENCLOSURE
- 30 INSTALL AERIAL SPLICE ENCLOSURE
- 31 INSTALL POLE MOUNTED SPLICE CABINET
- 32 NOT USED
- 33 REMOVE EXISTING SPLICE CABINET

- 34 INSTALL CABINET FOUNDATION
- 35 INSTALL MICROWAVE VEHICLE DETECTOR ASSEMBLY
- 36 INSTALL CCTV CAMERA ASSEMBLY
- 37 INSTALL CCTV WOOD POLE
- 38 INSTALL SPECIAL-SIZED JUNCTION BOX
- 39 INSTALL JUNCTION BOX
- 40 INSTALL OVERSIZED JUNCTION BOX
- 41 REMOVE EXISTING JUNCTION BOX
- 42 INSTALL WOOD POLE
- 43 REMOVE EXISTING WOOD POLE
- 44 INSTALL AERIAL GUY ASSEMBLY
- 45 INSTALL STANDARD GUY ASSEMBLY
- 46 INSTALL SIDEWALK GUY ASSEMBLY
- 47 INSTALL MESSENGER CABLE
- 48 REMOVE EXISTING COMMUNICATIONS CABLE AND MESSENGER CABLE
- 49 REMOVE EXISTING COMMUNICATIONS CABLE
- 50 INSTALL DIGITAL HARDWARE VIDEO ENCODER
- 51 INSTALL CABLE STORAGE RACKS (SNOW SHOES) AND STORE 100 FEET OF CABLE
- 52 INSTALL DELINEATOR MARKER
- 53 STORE 50 FEET OF COMMUNICATIONS CABLE (EACH CABLE)
- 54 LASH CABLE(S) TO EXISTING SIGNAL/COMMUNICATIONS CABLE
- 55 LASH CABLE(S) TO EXISTING MESSENGER CABLE
- 56 LASH CABLE(S) TO NEW MESSENGER CABLE
- 57 MODIFY EXISTING ELECTRICAL SERVICE
- 58 INSTALL NEW ELECTRICAL SERVICE
- 59 INSTALL NEW SERVICE DISCONNECT ON 6"X6" TREATED WOOD POST
- 60 POLE GROUND ASSEMBLY AND BOND MESSENGER TO POLE GROUND
- 61 INSTALL AIR CONDITIONED HUB CABINET
- 62 INSTALL POLE MOUNTED CCTV CABINET
- 63 INSTALL RAMP METER CABINET AND CONTROLLER
- 64 INSTALL WIRELESS MODEM
- 65 INSTALL COMMUNICATIONS CABINET
- 66 REPLACE FIBER-OPTIC CONNECTOR PANELS
- 67 INSTALL CABINET BASE EXTENDER
- 68 STORE 100 FEET OF COMMUNICATIONS CABLE (EACH CABLE)
- 69 INSTALL NEW ELECTRICAL SERVICE DISCONNECT ON CCTV POLE

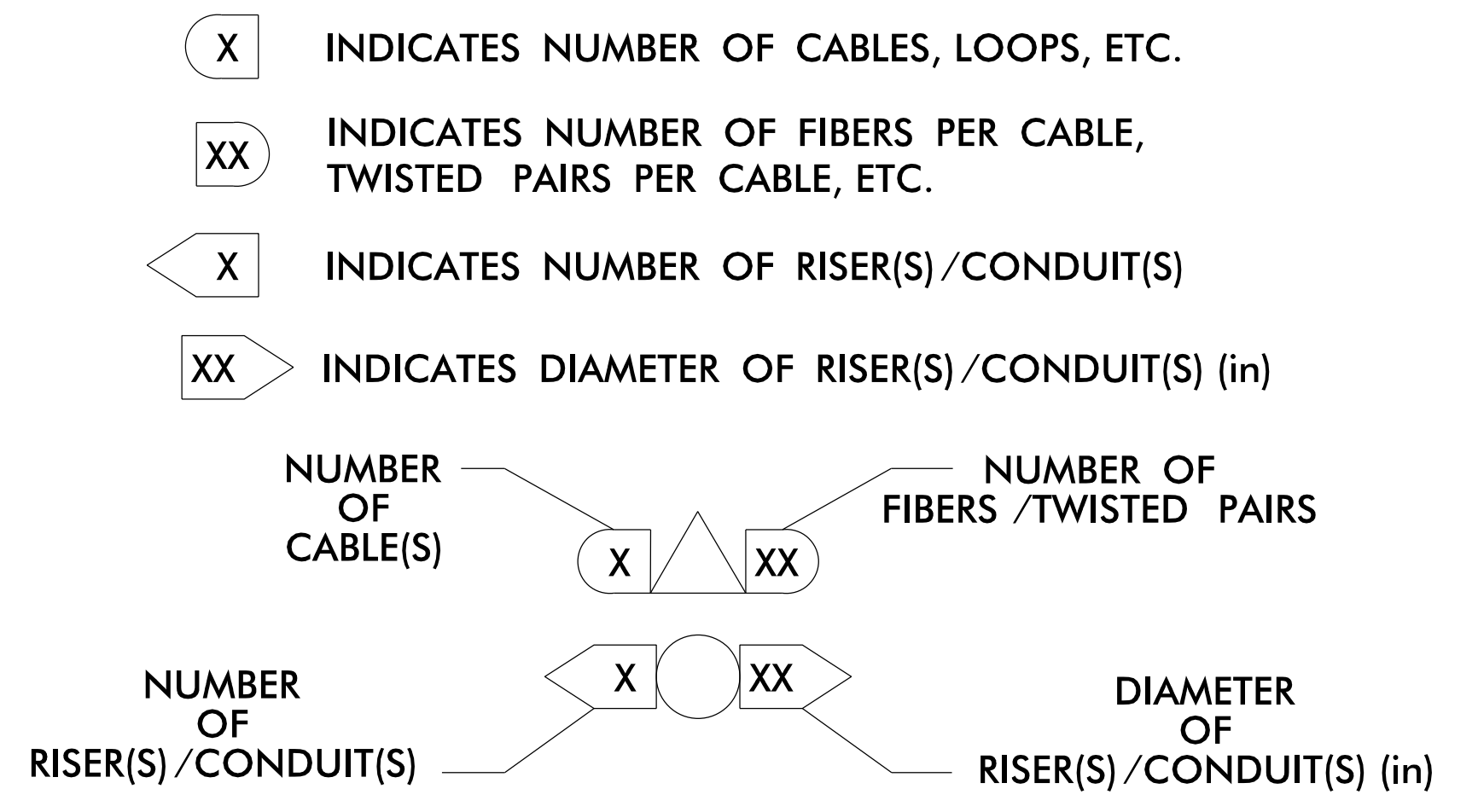
- 70 NOT USED
- 71 INSTALL POWER OVER ETHERNET INJECTOR
- 72 REMOVE EXISTING CCTV ASSEMBLY AND CABINET
- 73 BOND RISER TO POLE GROUND

NOTES:

1. SEAL ALL CONDUIT ENDS WITH DUCT AND CONDUIT SEALER, AT ALL JUNCTION BOX/CABINET ENTRANCES.

* CABLES SHALL BE PER THE MANUFACTURER'S RECOMMENDATIONS.

CONSTRUCTION NOTE SYMBOLOGY KEY



27-JUN-2016 15:55 T:\Product\Tort\ITS\K0001\K0002\047 1-540 Ramp Meter Design\Mobility and Safety TD\ITS Task 3 and 4 - ITS Plans\ITS-03 Construction Notes.dgn WILE2054 AT DUS300019

<p>5200 77 CENTER DRIVE, SUITE 500 CHARLOTTE, NORTH CAROLINA 28217 (704) 522-7275 NCBEES #F-0326</p>		<p>I-540 Ramp Metering Construction Notes</p>		<p>SEAL</p>
		<p>Division 5 Wake County Raleigh</p> <p>PLAN DATE: June 2016 REVIEWED BY: H A Badgett</p> <p>PREPARED BY: P M Blaiklock REVIEWED BY: J T Brooks</p>	<p>REVISIONS</p> <p>INIT. DATE</p>	
<p>N.T.S.</p>		<p>DOCUMENT NOT CONSIDERED FINAL UNLESS ALL SIGNATURES COMPLETED</p>		