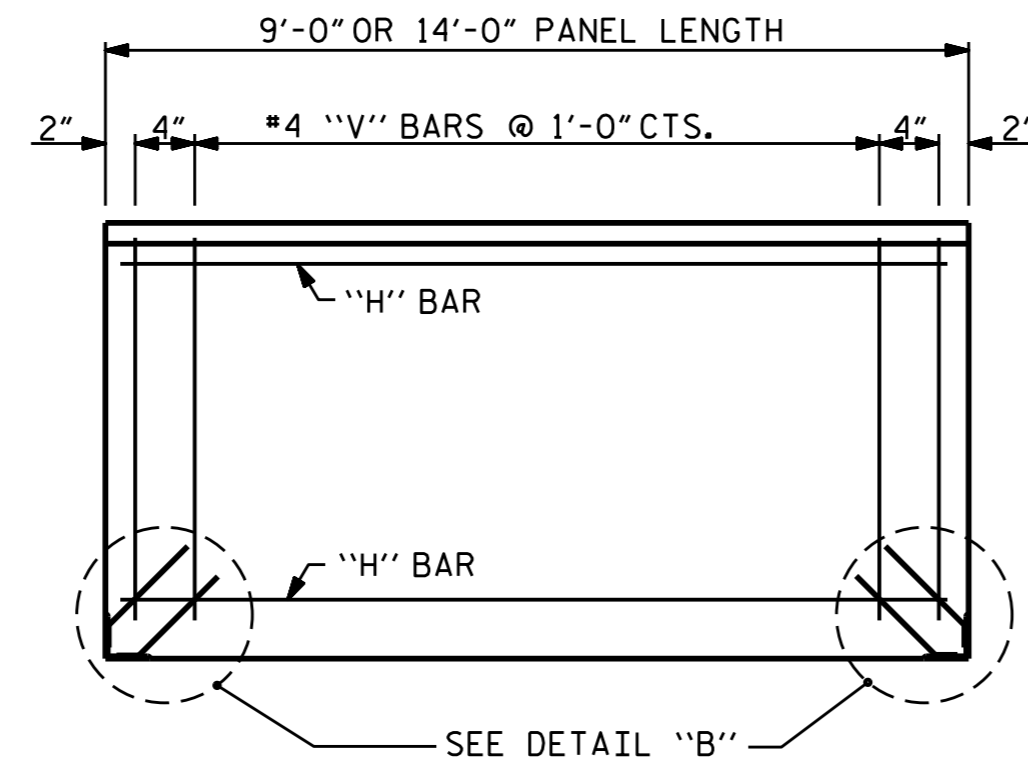


FRONT ELEVATION OF UPPER PRECAST PANELS



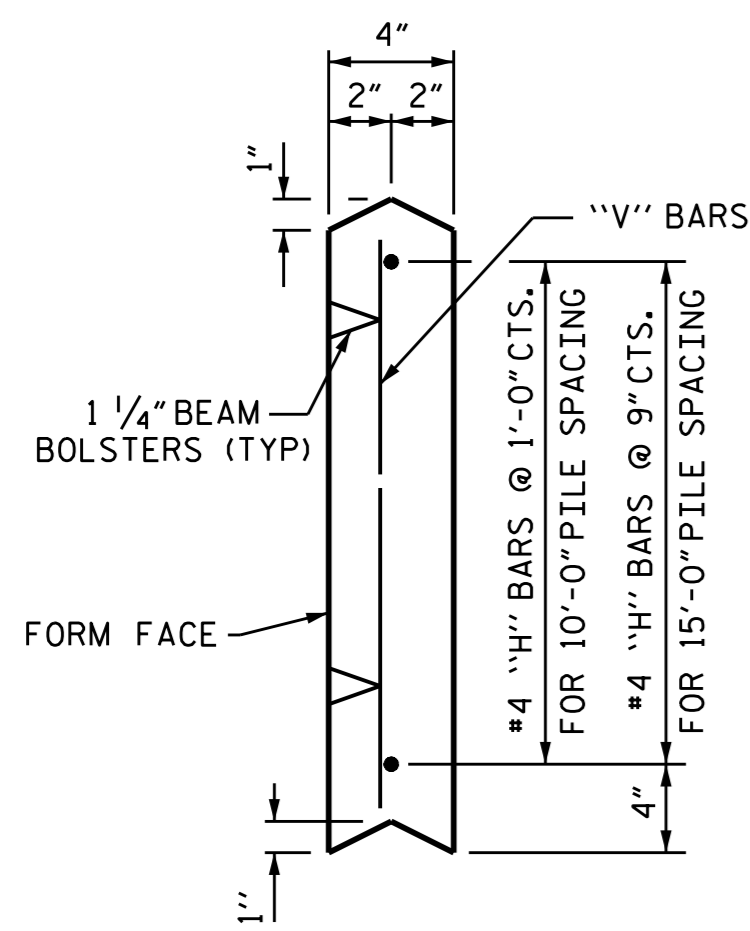
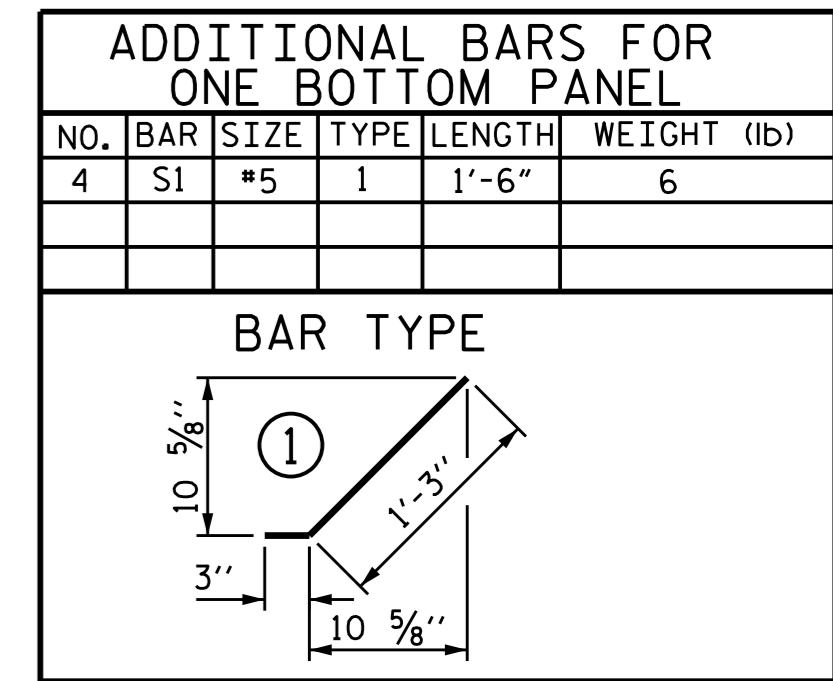
FRONT ELEVATION OF BOTTOM PRECAST PANEL

QUANTITIES FOR ONE PRECAST PANEL (FOR 10'-0" PILE SPACING)

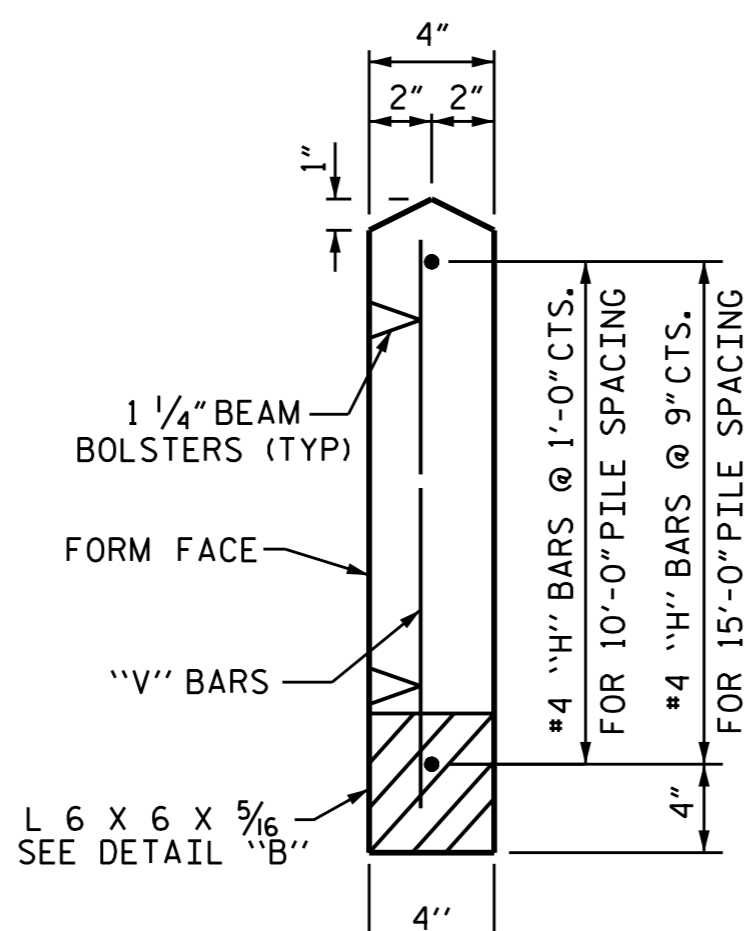
PANEL HEIGHT	CLASS AA CONCRETE C.Y.	BAR TYPES									
		HORIZONTAL					VERTICAL				
		NO.	BAR SIZE	TYPE	LENGTH	WEIGHT (lb)	NO.	BAR SIZE	TYPE	LENGTH	WEIGHT (lb)
2'-0"	0.22	3	H1 #4	STR	8'-8"	17	11	V1 #4	STR	1'-8"	12
3'-0"	0.33	4	H2 #4	STR	8'-8"	23	11	V2 #4	STR	2'-8"	20
4'-0"	0.44	5	H3 #4	STR	8'-8"	29	11	V3 #4	STR	3'-8"	27

QUANTITIES FOR ONE PRECAST PANEL (FOR 15'-0" PILE SPACING)

PANEL HEIGHT	CLASS AA CONCRETE C.Y.	BAR TYPES									
		HORIZONTAL					VERTICAL				
		NO.	BAR SIZE	TYPE	LENGTH	WEIGHT (lb)	NO.	BAR SIZE	TYPE	LENGTH	WEIGHT (lb)
3'-0"	0.52	5	H1 #4	STR	13'-8"	46	16	V1 #4	STR	2'-8"	29
4'-0"	0.69	6	H2 #4	STR	13'-8"	55	16	V2 #4	STR	3'-8"	39
5'-0"	0.86	7	H3 #4	STR	13'-8"	64	16	V3 #4	STR	4'-8"	50
6'-0"	1.04	8	H4 #4	STR	13'-8"	73	16	V4 #4	STR	5'-8"	61

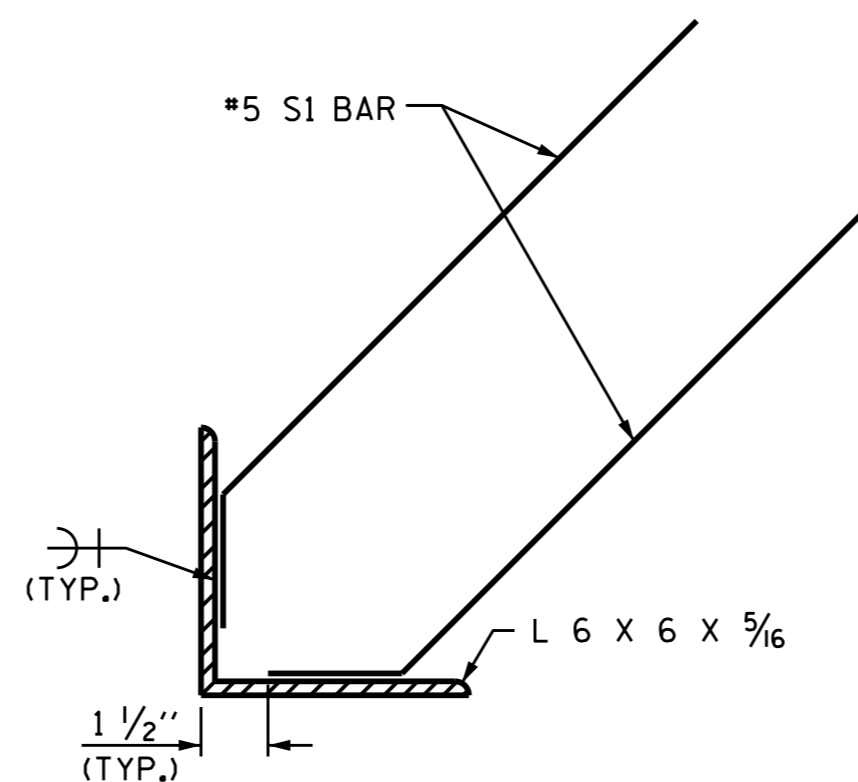


UPPER PANEL

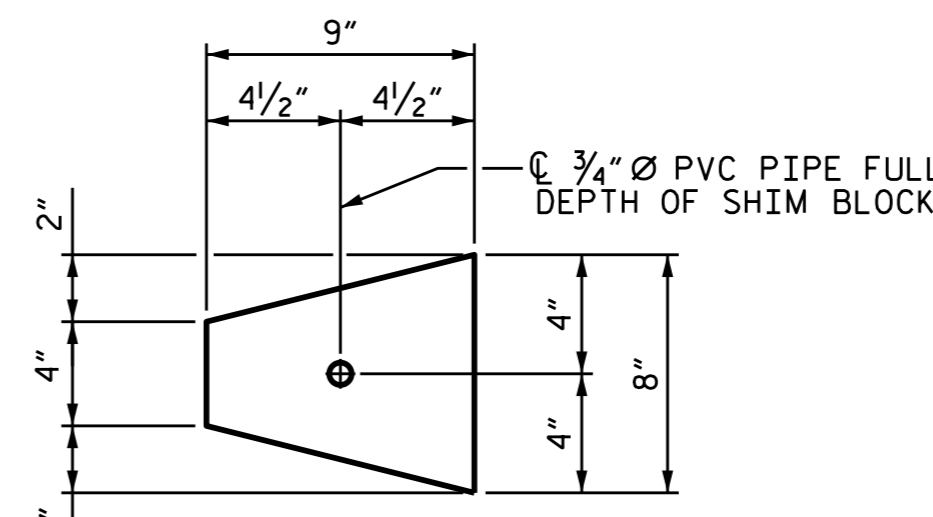


BOTTOM PANEL

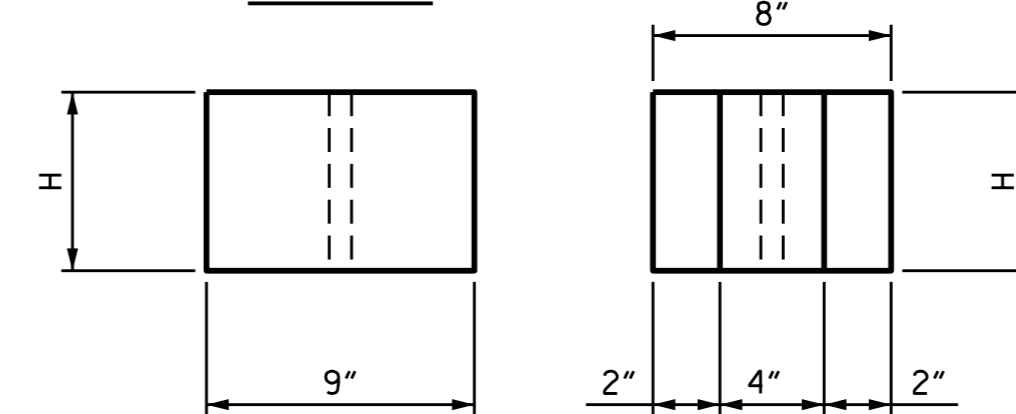
SECTION THROUGH PRECAST PANELS



DETAIL "B"



PLAN

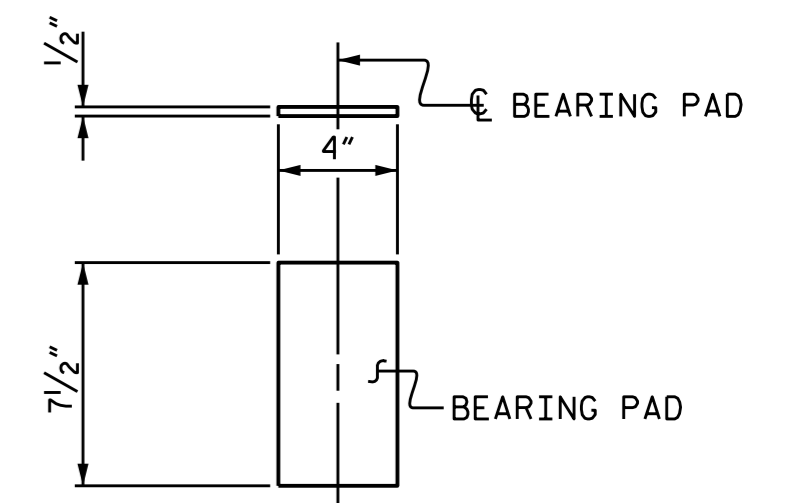


ELEVATION

END

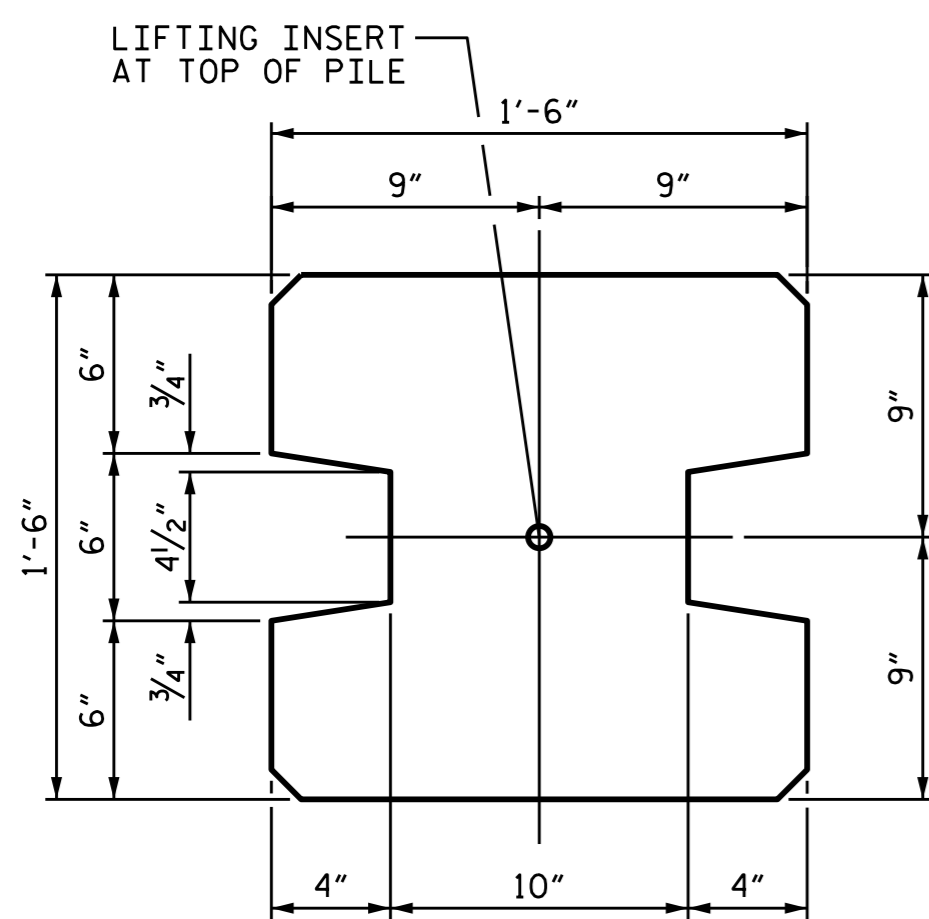
CONCRETE SHIM BLOCK

H = 3", 6" OR 1'-0"

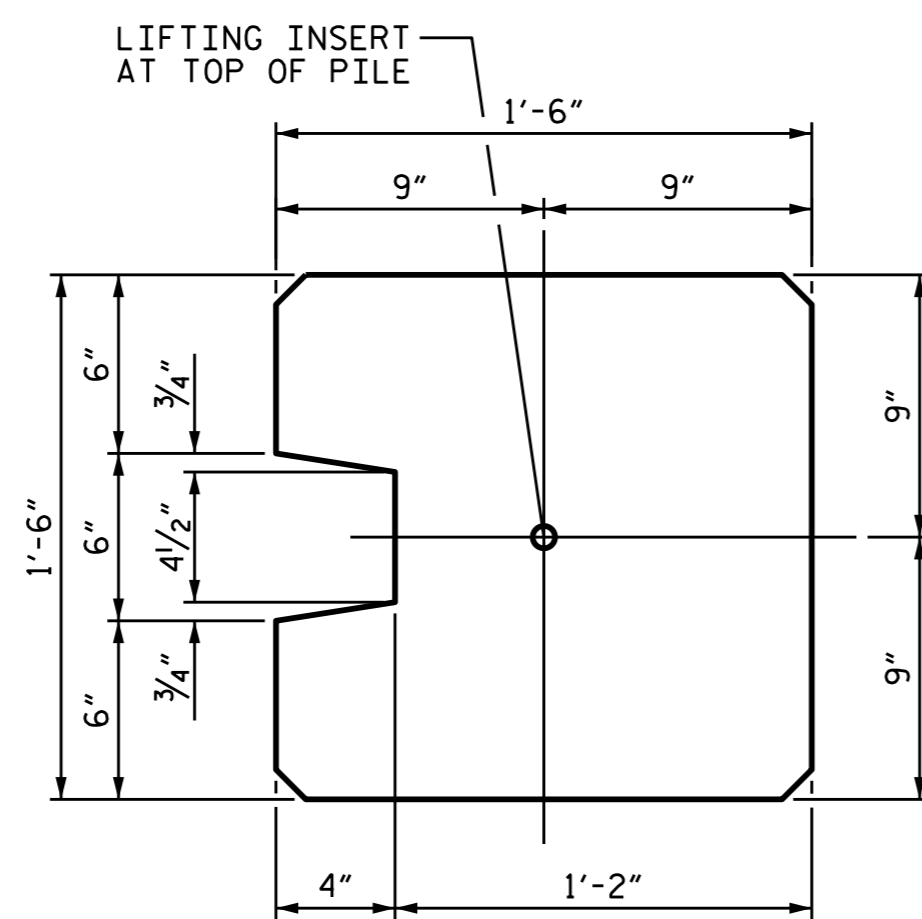


ELASTOMERIC BEARING DETAILS

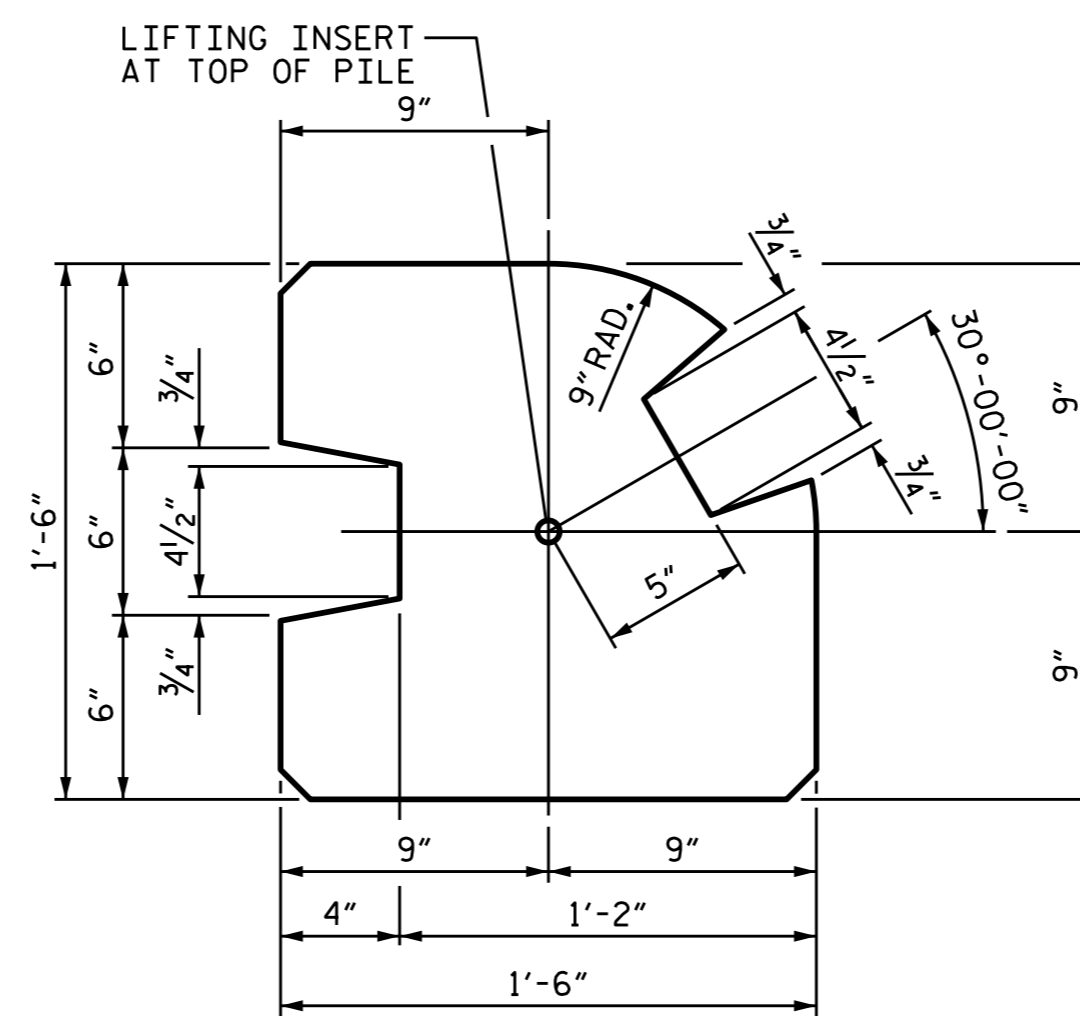
ELASTOMER IN BEARINGS SHALL BE 50 DUROMETER HARDNESS.



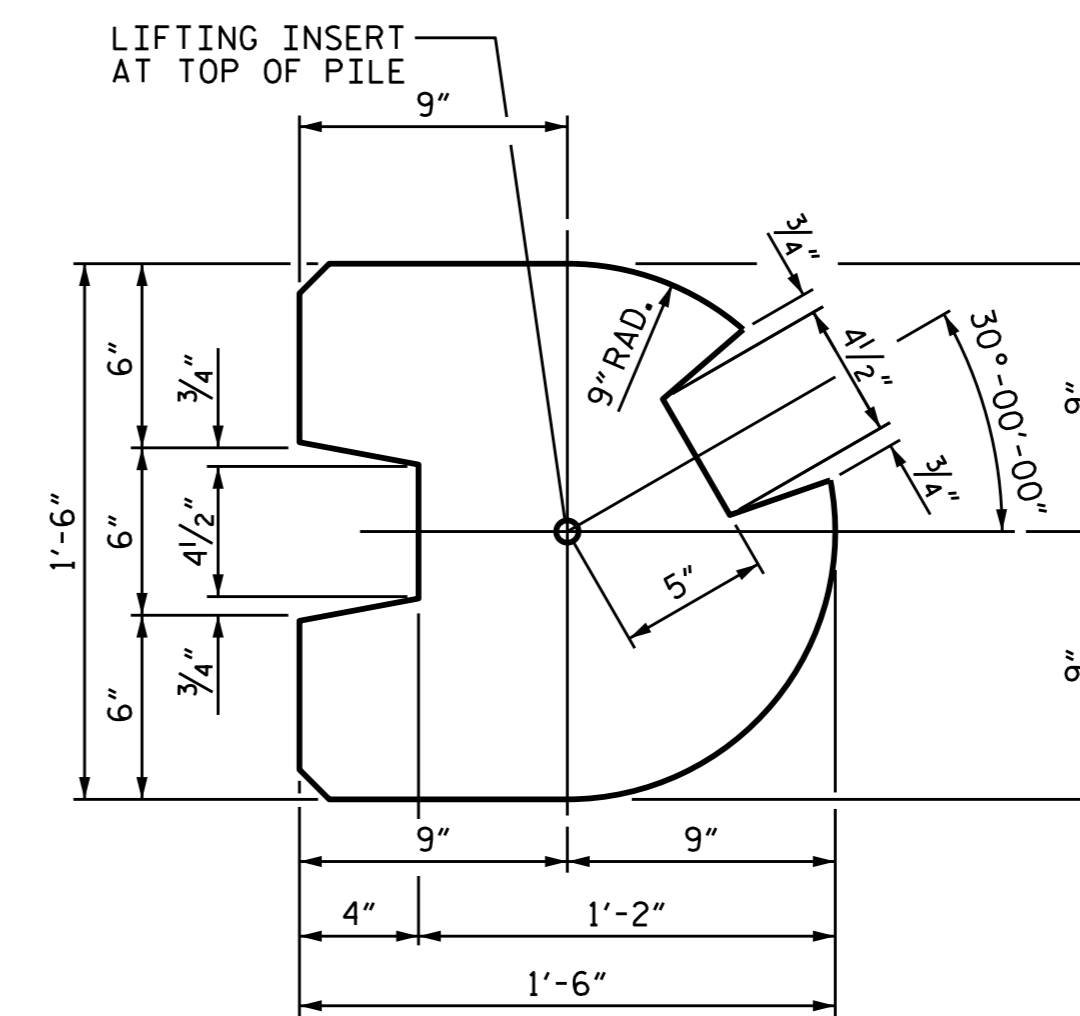
TYPE - I
(AREA = 1.9444 SQ. FT.)



TYPE - II
(AREA = 2.0903 SQ. FT.)



TYPE - III
(AREA = 1.8336 SQ. FT.)



TYPE - III (ALT.)
(AREA = 1.7163 SQ. FT.)

PILE DIMENSION DETAIL

ALL CORNERS TO BE CHAMFERED 1"

PROJECT NO. U-2524D
GUILFORD COUNTY
STATION: 422+43.04 -L-

SHEET 8 OF 9

STATE OF NORTH CAROLINA
DEPARTMENT OF TRANSPORTATION
RALEIGH
STANDARD
SOUND BARRIER WALL
PRECAST PANEL
DETAILS



DocuSigned by:
Ting Fang
7/1/2016

ASSEMBLED BY : M. SHAHIDI DATE : 4/19/16
CHECKED BY : T. H. FANG DATE : 4/20/16
DRAWN BY : MAA 6/11
CHECKED BY : GM 6/11
ADDED REV. 1/15/14 8/31/11 RWW/TMG

DOCUMENT NOT CONSIDERED FINAL UNLESS ALL SIGNATURES COMPLETED

REVISIONS						SHEET NO. SW-8 TOTAL SHEETS 9
NO.	BY:	DATE:	NO.	BY:	DATE:	
1			3			
2			4			