

ELEVATION

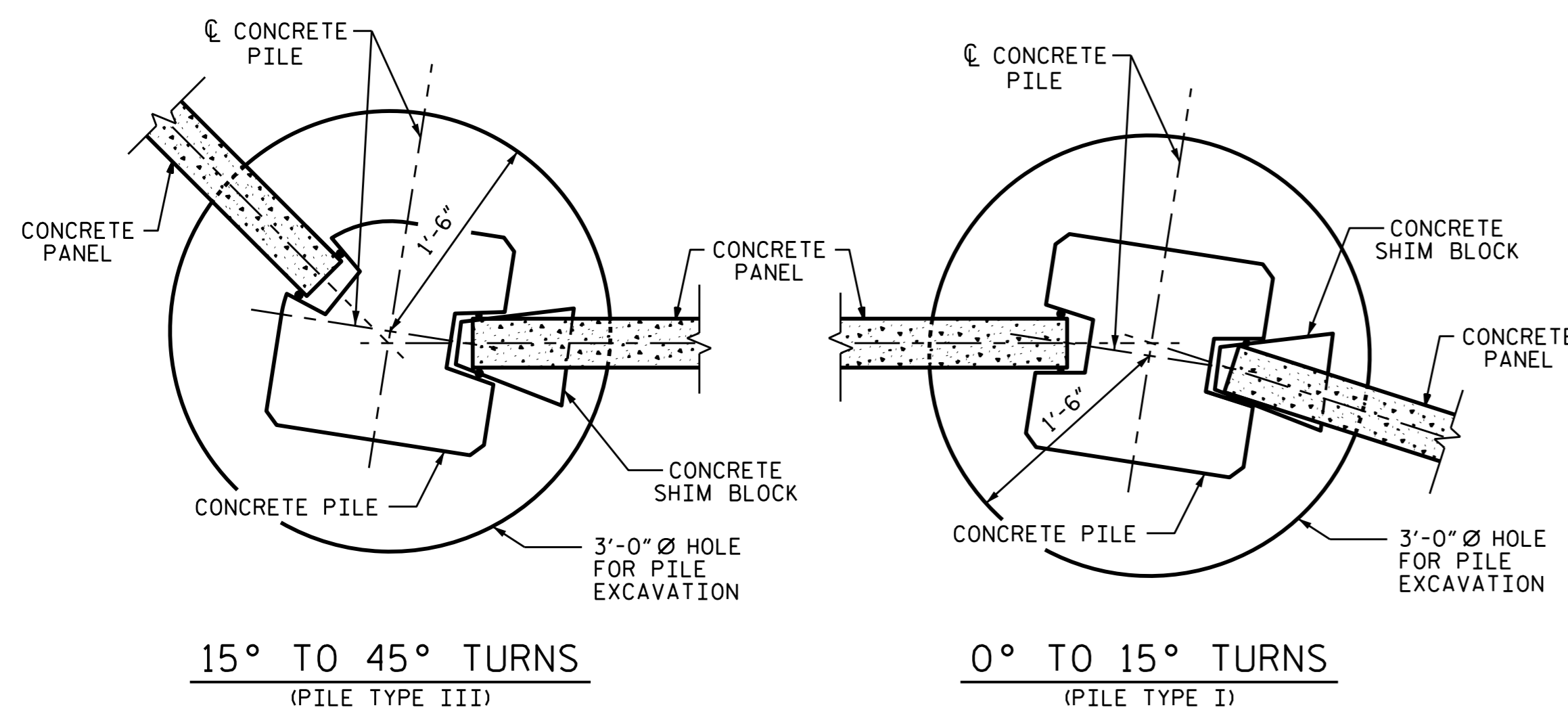
SECTION A-A

PILE EXCAVATION DEPTH "D"		
3'-0" Ø HOLE		
SOUND BARRIER WALL #8	FROM : STA. 9+83.78 -RPAY8- (40.16 RT.) TO : STA. 514+14.10 -L- (81.81 LT.)	
WALL STATION -NW8-	PILE SPACING	DEPTH "D"
STA. 10+00 -NW8- TO STA. 20+50 -NW8-	10'-0"	13'-0"
STA. 20+50 -NW8- TO STA. 21+50 -NW8-	15'-0"	16'-0"
STA. 21+50 -NW8- TO STA. 24+70 -NW8-	10'-0"	11'-0"
	15'-0"	12'-0"
	10'-0"	9'-0"
	15'-0"	11'-0"

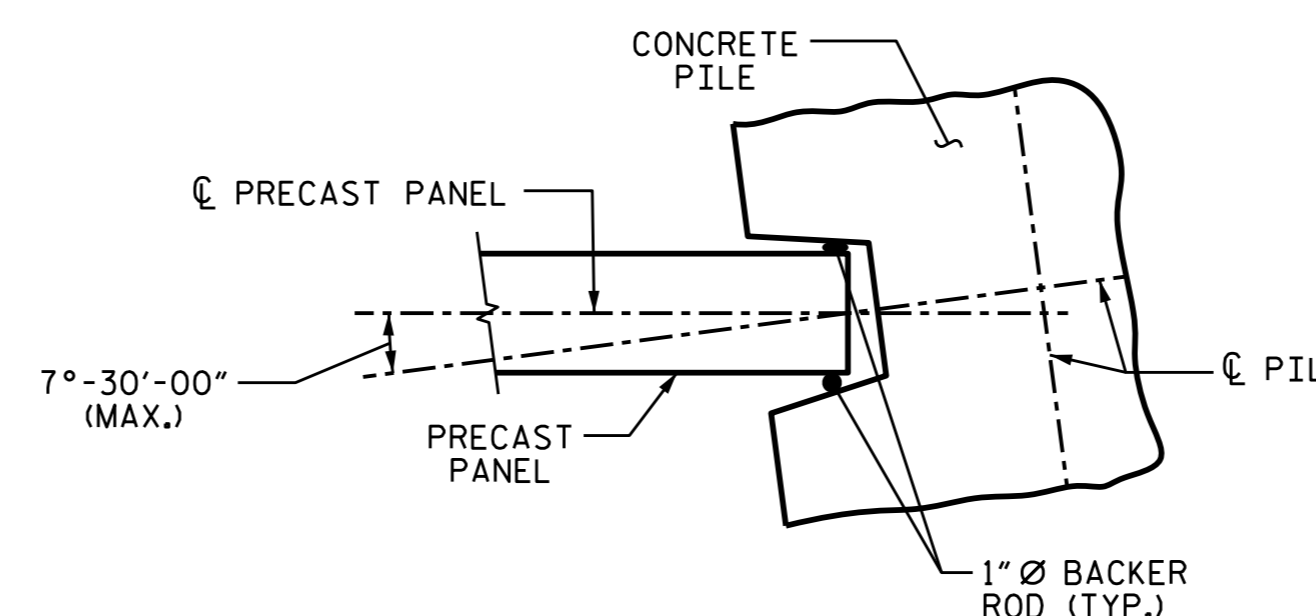
PILE VERTICAL REINFORCING STEEL DESIGN WIND PRESSURE = 40 PSF							
PILE TYPE I				PILE TYPE III			
PILE SPACING	MAXIMUM WALL HEIGHT (H)	VERTICAL REINFORCING STEEL	TIES	PILE SPACING	MAXIMUM WALL HEIGHT (H)	VERTICAL REINFORCING STEEL	TIES
10'-0"	H ≤ 25'	4 - #8 EA. FACE	#3 @ 1'-4"CTS.	10'-0"	H ≤ 25'	3 - #9 SHORT FACE 4 - #9 LONG FACE	#3 @ 1'-4"CTS.
	H > 25'	4 - #10 EA. FACE	#3 @ 1'-4"CTS.		15'-0"	H ≤ 20'	3 - #9 SHORT FACE 4 - #9 LONG FACE
15'-0"	H ≤ 20'	4 - #8 EA. FACE	#3 @ 1'-4"CTS.	15'-0"		20' < H ≤ 25'	3 - #11 SHORT FACE 4 - #11 LONG FACE
	20' < H ≤ 25'	4 - #10 EA. FACE	#3 @ 1'-4"CTS.				
PILE TYPE II				PILE TYPE III ALT.			
PILE SPACING	MAXIMUM WALL HEIGHT (H)	VERTICAL REINFORCING STEEL	TIES	PILE SPACING	MAXIMUM WALL HEIGHT (H)	VERTICAL REINFORCING STEEL	TIES
10'-0"	H ≤ 25'	4 - #6 EA. FACE	#3 @ 1'-4"CTS.	10'-0"	H ≤ 25'	3 - #9 SHORT FACE 4 - #9 LONG FACE	#3 @ 1'-4"CTS.
	H > 25'	4 - #6 EA. FACE	#3 @ 1'-4"CTS.		15'-0"	H ≤ 20'	3 - #9 SHORT FACE 4 - #9 LONG FACE
15'-0"	H ≤ 20'	4 - #6 EA. FACE	#3 @ 1'-4"CTS.	15'-0"		20' < H ≤ 25'	3 - #11 SHORT FACE 4 - #11 LONG FACE
	20' < H ≤ 25'	4 - #7 EA. FACE	#3 @ 1'-4"CTS.				

NOTES

- FOR SOUND BARRIER WALL, SEE SPECIAL PROVISIONS.
- CONSTRUCT SOUND BARRIER WALL TO LINES AND GRADES SHOWN ON THE ROADWAY PLANS.
- PROVIDE PANELS WITH A FLAT BOTTOM.
- VERIFY THE LOCATION OF UNDERGROUND UTILITIES BEFORE DRILLING HOLES TO ENSURE SUFFICIENT CLEARANCE IS AVAILABLE.
- ADJUST PILE EXCAVATION ELEVATIONS TO MAINTAIN 6" MINIMUM EMBEDMENT OF THE BOTTOM PANEL.
- USE CLASS AA FOR PANELS AND CLASS A CONCRETE PILE EXCAVATION BACKFILL, IN ACCORDANCE WITH ARTICLE 1000-4 OF THE STANDARD SPECIFICATIONS.
- AT THE CONTRACTOR'S OPTION, USE 10'-0" OR 15'-0" PILE SPACINGS. STANDARD PRECAST CONCRETE PANELS MAY BE USED WITH THE 10'-0" AND 15'-0" PILE SPACING.
- FOR SOUND BARRIER WALL STATIONS, OFFSETS, AND WALL ENVELOPE, SEE ROADWAY PLANS.
- PLACE 1" Ø BACKER RODS FULL HEIGHT ON EACH SIDE OF THE PRECAST PANELS. SET AND SEAL THE BACKER ROD IN PLACE WITH SEALANT THAT CONFORMS WITH ARTICLE 1028-3 OF THE STANDARD SPECIFICATIONS.
- FOR CONCRETE PILE & PANEL DETAILS, SEE SHEETS SW-8 & SW-9.
- FOR SUBMITTAL OF WORKING DRAWINGS, SEE SPECIAL PROVISIONS.
- FOR FALSEWORK AND FORMWORK, SEE SPECIAL PROVISIONS.
- FOR CRANE SAFETY, SEE SPECIAL PROVISIONS.
- FOR SOUND BARRIER WALL STATIONS, OFFSETS AND WALL ENVELOPES, SEE ROADWAY PLANS.



TYPICAL WALL TURN DETAILS



PILE ROTATION LIMIT FOR WALL TURN

(ROTATE THE CONCRETE PILE ±7°-30'-00" TO ACCOMMODATE WALL TURN.)

BILL OF MATERIAL	
SOUND BARRIER WALL #8	31,365 S.F.
QUANTITIES PROVIDED ARE APPROXIMATE AND ARE FOR BID PURPOSES ONLY.	

PROJECT NO. U-2524D
GUILFORD COUNTY
STATION: 9+83.78 -RPAY8-

SHEET 6 OF 9



STATE OF NORTH CAROLINA
DEPARTMENT OF TRANSPORTATION
RALEIGH
STANDARD
SOUND BARRIER WALL #8

ASSEMBLED BY : M. SHAHIDI	DATE : 4/19/16
CHECKED BY : T. H. FANG	DATE : 4/20/16
DRAWN BY : MAA 6/11	ADDED 10/1/11
CHECKED BY : GM 6/11	REV. 1/15/14 RWW/TMG
	REV. 9/26/14 MAA/TMG

Designed by: *Ting Fang*
E7208400977435 7/1/2016

DOCUMENT NOT CONSIDERED FINAL UNLESS ALL SIGNATURES COMPLETED

REVISIONS						SHEET NO. SW-6 TOTAL SHEETS 9
NO.	BY:	DATE:	NO.	BY:	DATE:	
1			3			
2			4			