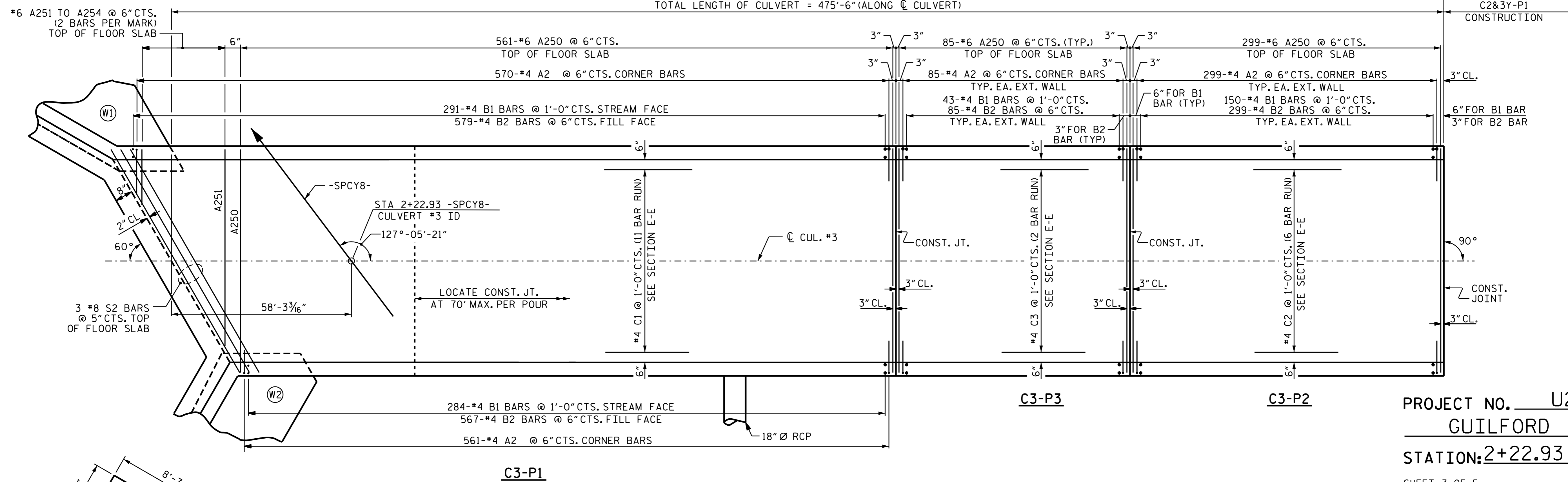


**PLAN OF ROOF SLAB**

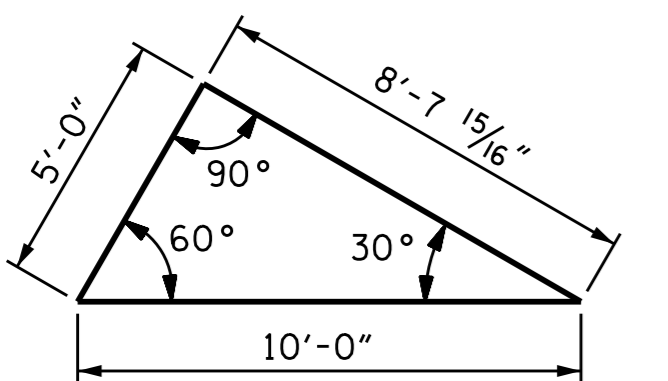
"C" BAR EXTENSION AT CONSTRUCTION JOINT NOT SHOWN FOR CLARITY.

TOTAL LENGTH OF CULVERT = 475'-6" (ALONG CUL CULVERT)



**PLAN OF FLOOR SLAB**

"C" BAR EXTENSION AT CONSTRUCTION JOINT NOT SHOWN FOR CLARITY.



**SKEW TRIANGLE**

PROJECT NO. U2524D  
 GUILFORD COUNTY  
 STATION: 2+22.93 -SPCY8-

SHEET 3 OF 5



DocuSigned by:  
 Ting Fang  
 E7208840077435 8/16/2016

STATE OF NORTH CAROLINA  
 DEPARTMENT OF TRANSPORTATION  
 RALEIGH  
 BARREL STANDARD  
 CULVERT #3  
 SINGLE 10' X 7' RCBC  
 C3-P1, C3-P2 & C3-P3  
 127°-05'-21" SKEW

DRAWN BY : A. SORSENGINH DATE : 1/2016  
 CHECKED BY : T. H. FANG DATE : 5/15/16  
 DESIGN ENGINEER OF RECORD: A. SORSENGINH DATE : 5/26/16

DOCUMENT NOT CONSIDERED  
 FINAL UNLESS ALL  
 SIGNATURES COMPLETED

REVISIONS						SHEET NO. C-25
NO.	BY:	DATE:	NO.	BY:	DATE:	
1			3			TOTAL SHEETS 34
2			4			