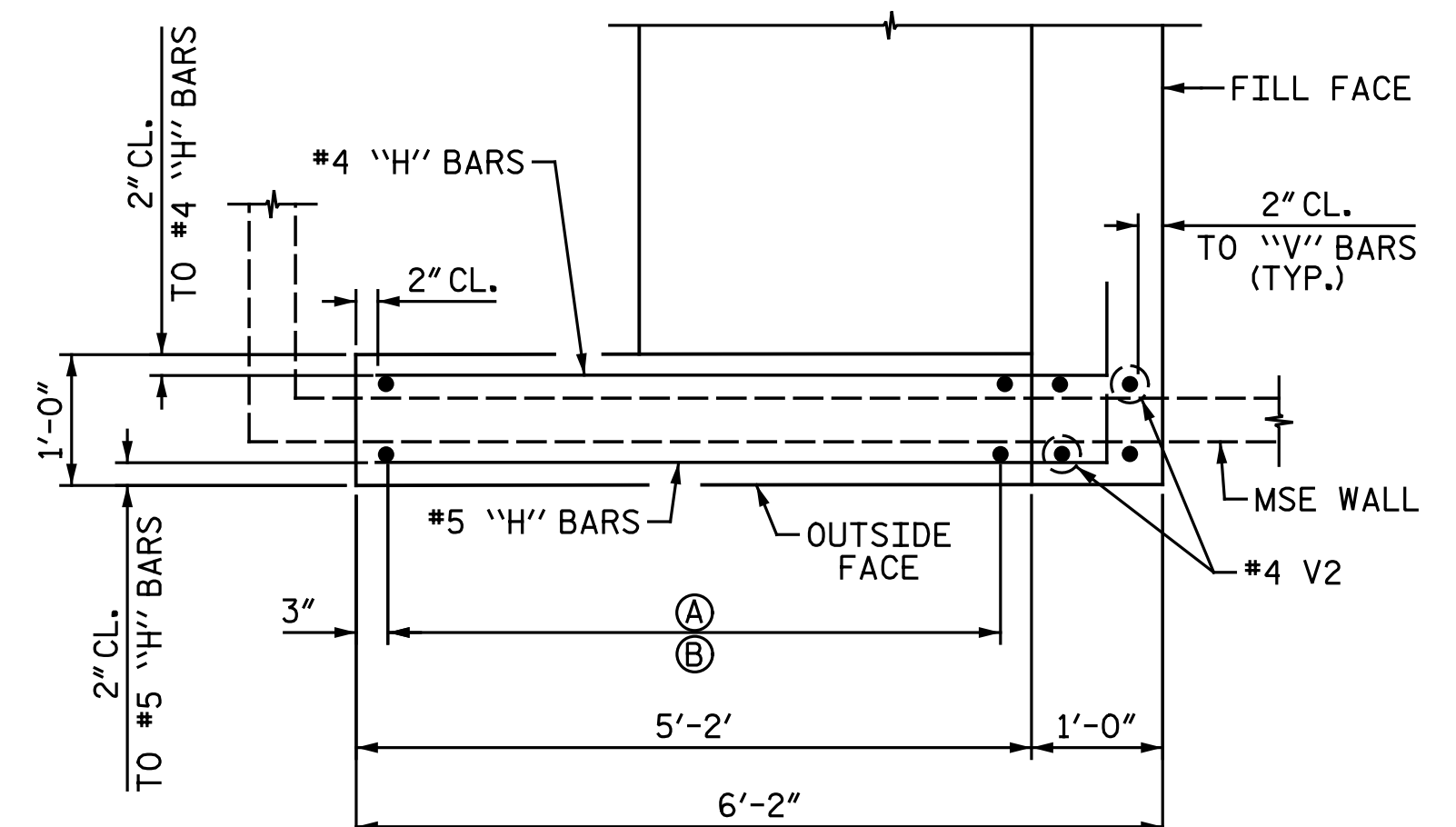
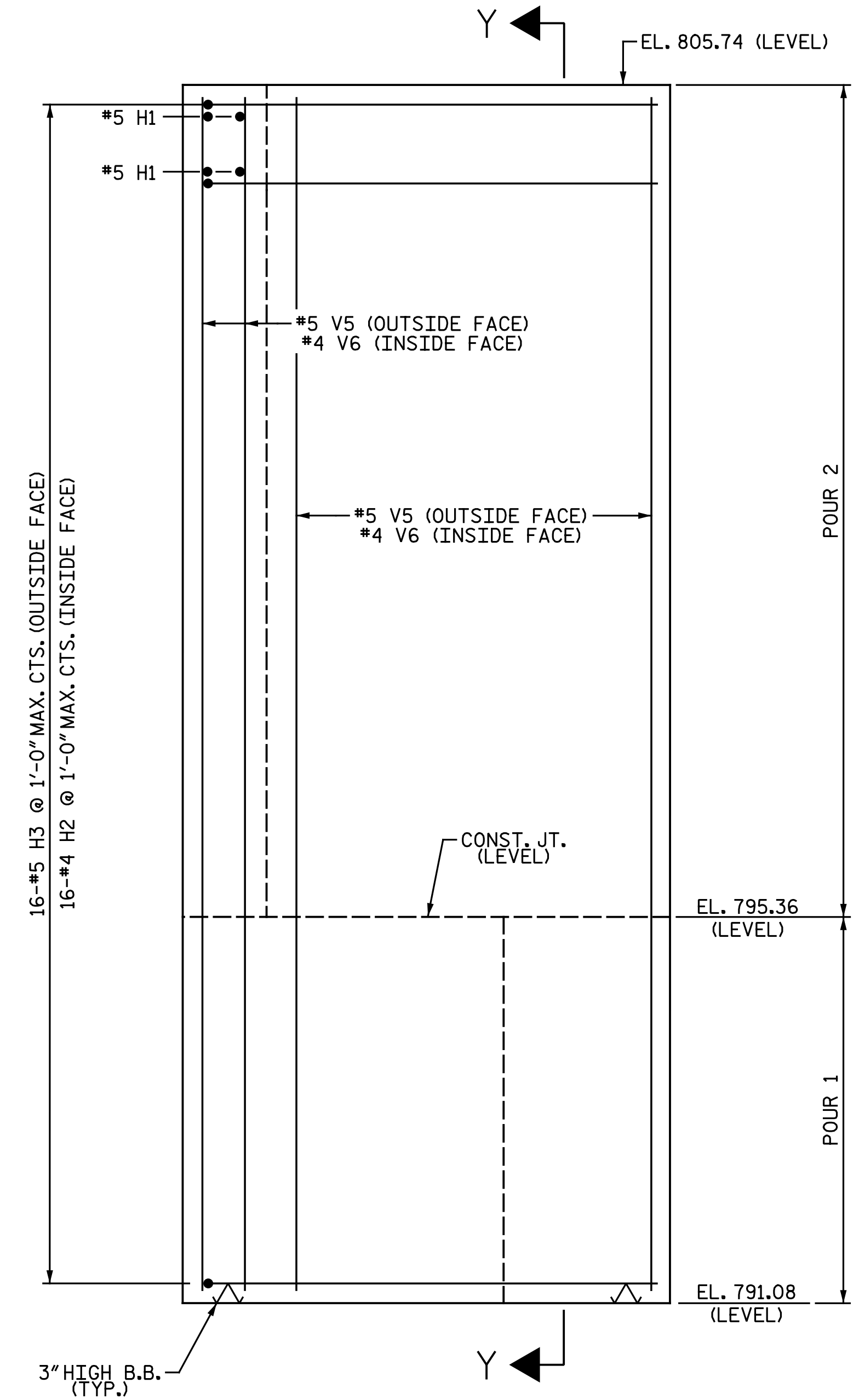


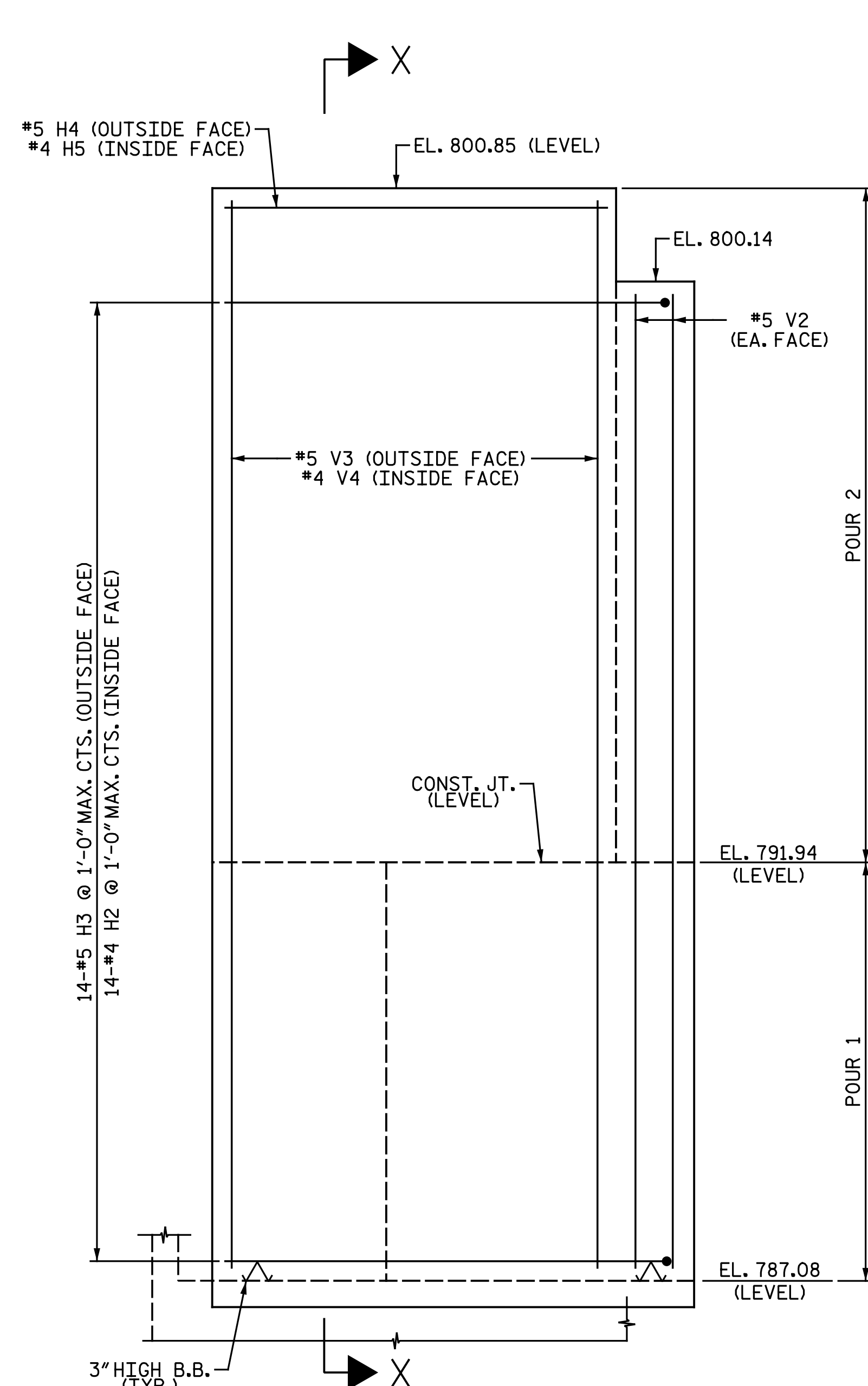
PLAN OF LEFT CHEEK WALL (W3)  
 A 8-#5 V5 @ 1'-0" MAX. CTS. (OUTSIDE FACE)  
 B 8-#4 V6 @ 1'-0" MAX. CTS. (INSIDE FACE)



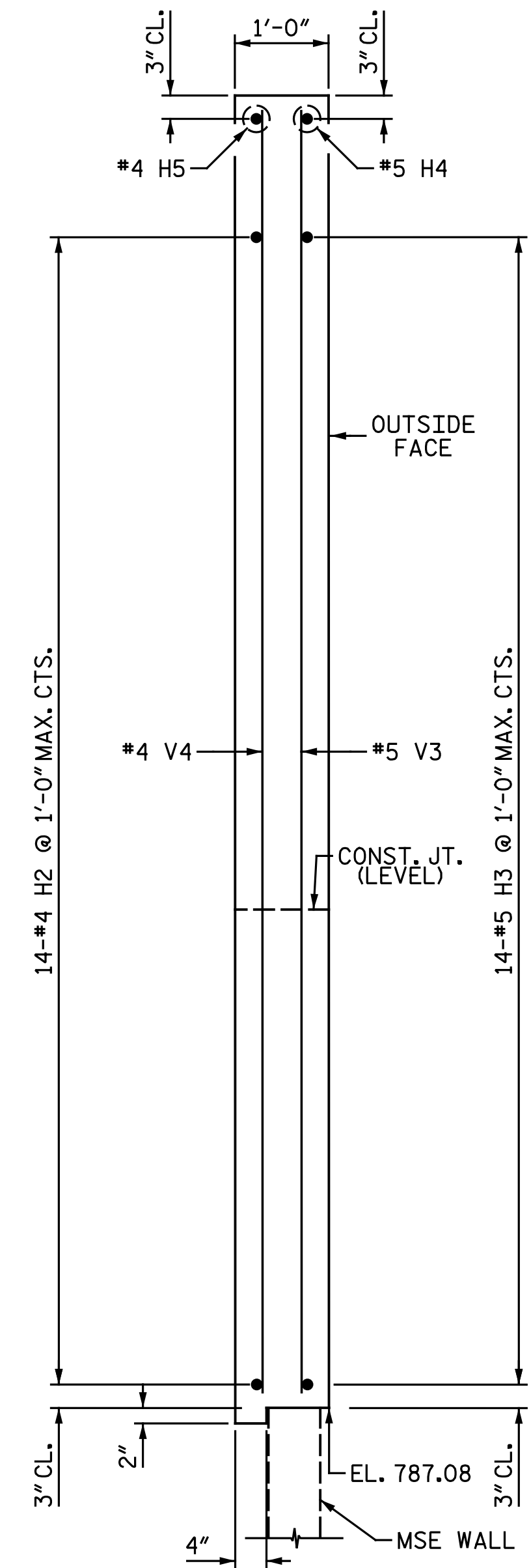
PLAN OF RIGHT CHEEK WALL (W4)  
 A 6-#5 V3 @ 1'-0" MAX. CTS. (OUTSIDE FACE)  
 B 6-#4 V4 @ 1'-0" MAX. CTS. (INSIDE FACE)



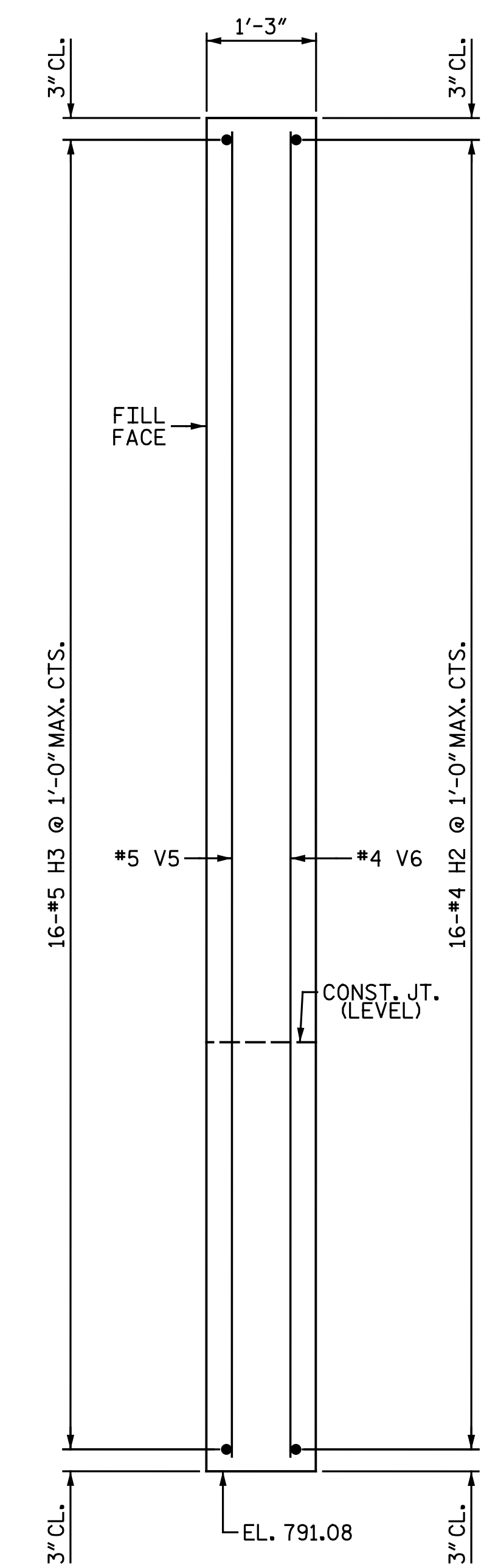
ELEVATION OF LEFT CHEEK WALL (W3)



ELEVATION OF RIGHT CHEEK WALL (W4)



SECTION X-X



SECTION Y-Y

PROJECT NO. U-2524D  
 GUILFORD COUNTY  
 STATION: 495+22.00 -LREV-  
 SHEET 2 OF 2

nbspecks 7/18/2016 12:23:30 PM  
 File name: Y:\Projects\NC DOT\U-2524D\Site-2\DWG\Right\Final\404\_027\_U2524D\_SMLLE202.dgn

DRAWN BY: M.D.M/N.B.S. DATE: 2-8-16  
 CHECKED BY: A.M. HOUSTON DATE: 3-28-16

DOCUMENT NOT CONSIDERED FINAL UNLESS ALL SIGNATURES COMPLETED				STATE OF NORTH CAROLINA DEPARTMENT OF TRANSPORTATION RALEIGH SUBSTRUCTURE END BENT 2 RIGHT LANES	
				REVISIONS	
Michael Baker International 8000 Regency Parkway, Suite 600 Cary, North Carolina 27518 NC License No.: F-1084		NO. 1 BY: [Signature] DATE: [Date]	NO. 2 BY: [Signature] DATE: [Date]	NO. 3 BY: [Signature] DATE: [Date]	NO. 4 BY: [Signature] DATE: [Date]