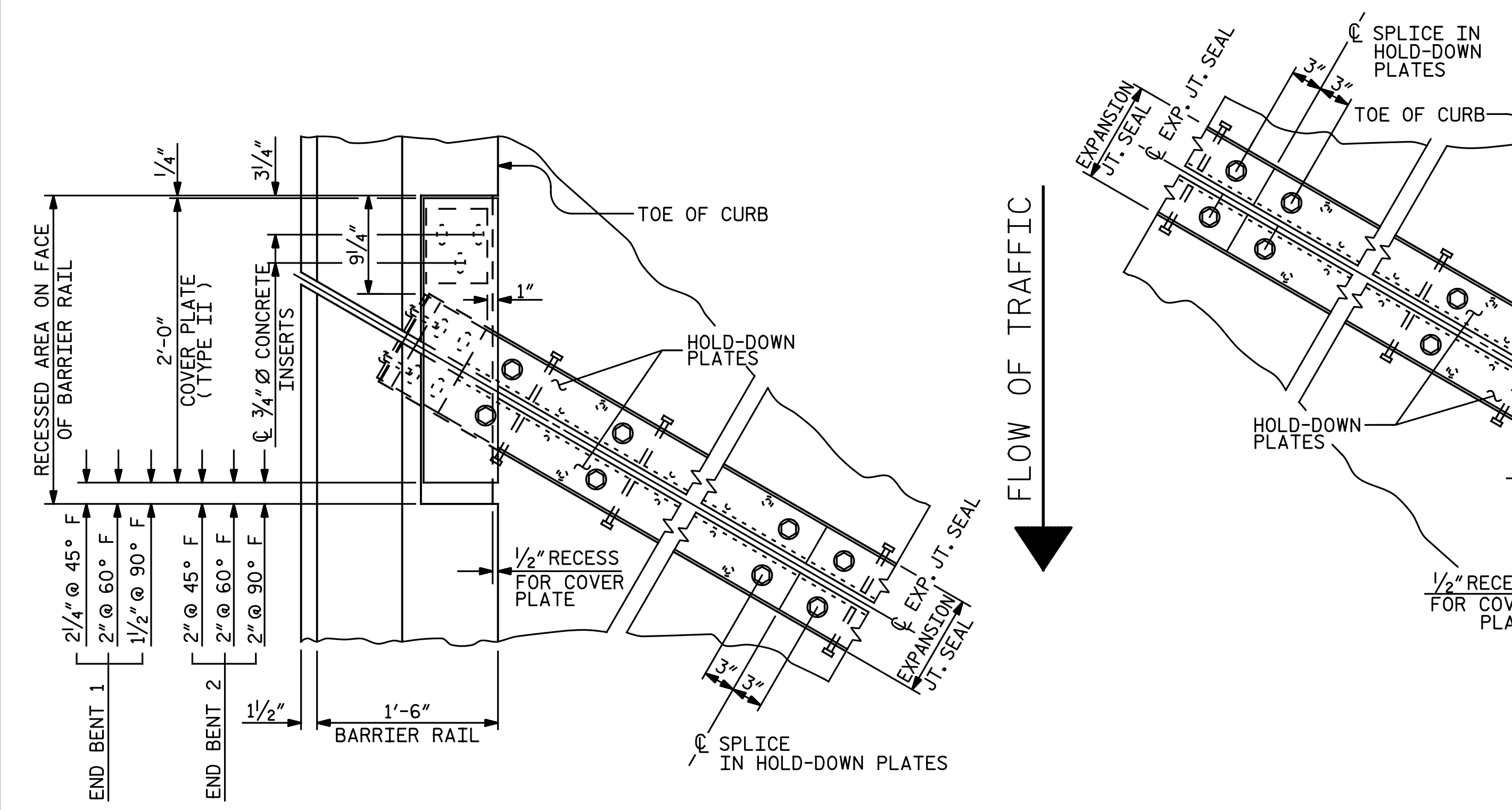
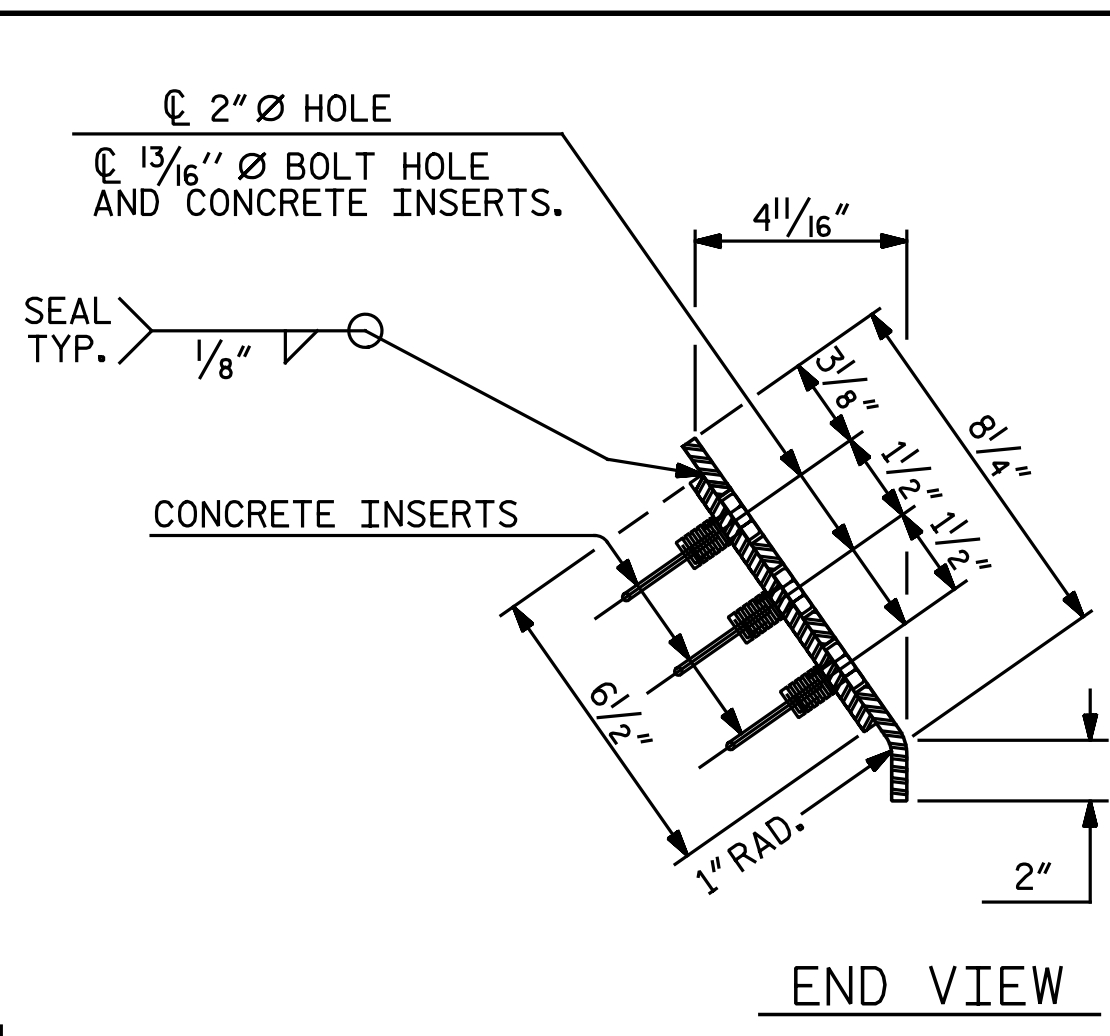


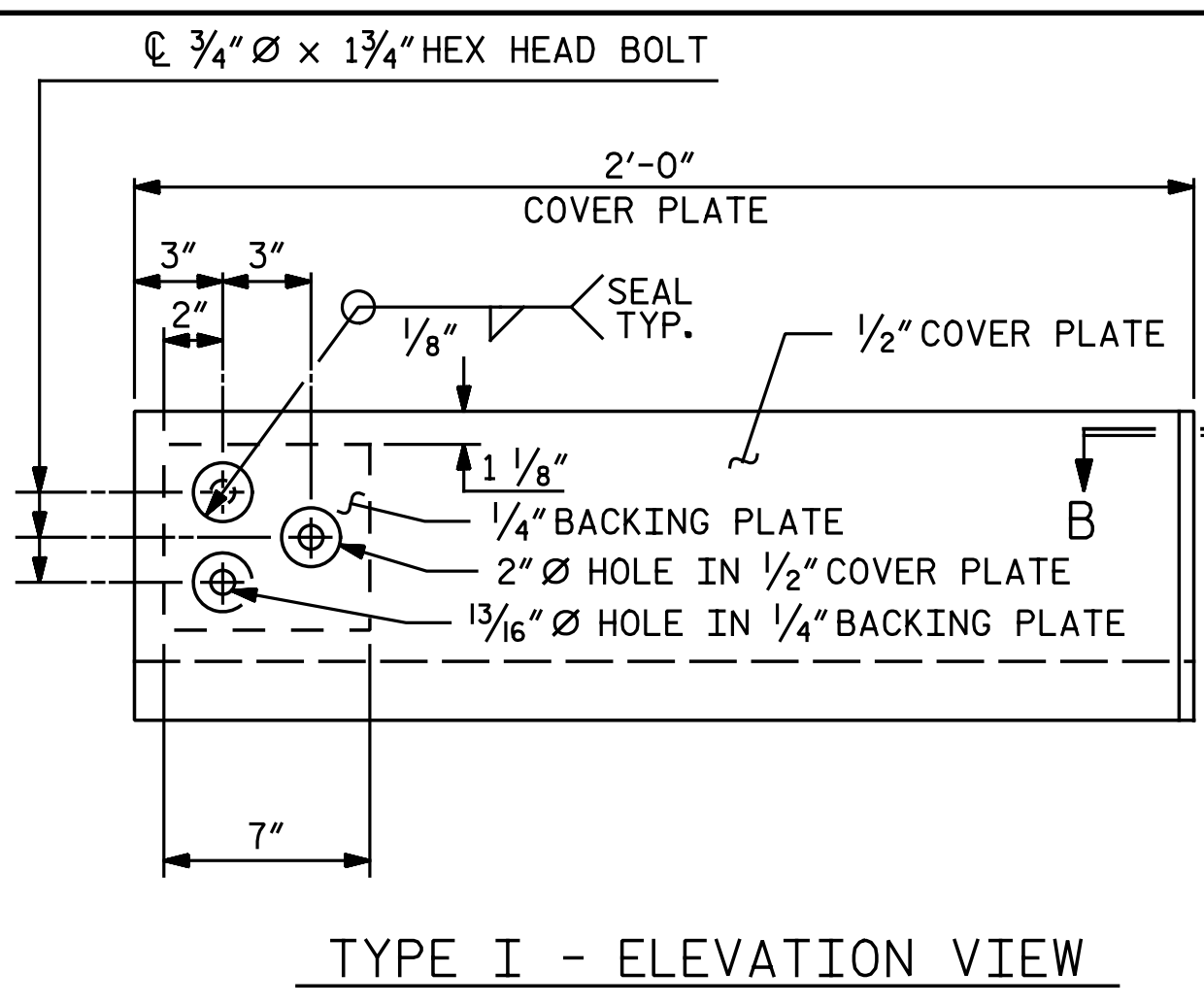
SECTION THRU RAIL NORMAL TO JOINT



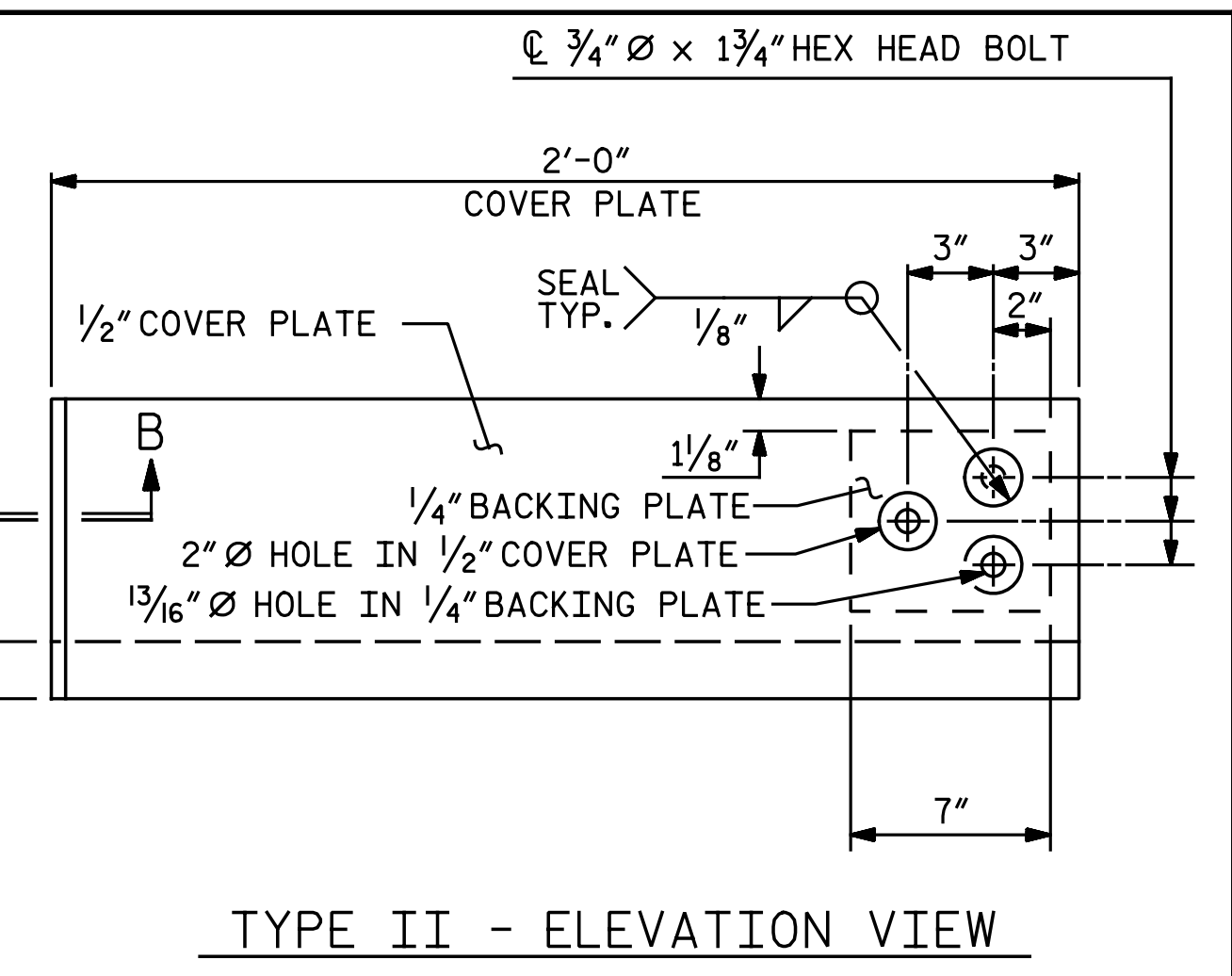
PLAN OF EXPANSION JOINT SEAL



END VIEW

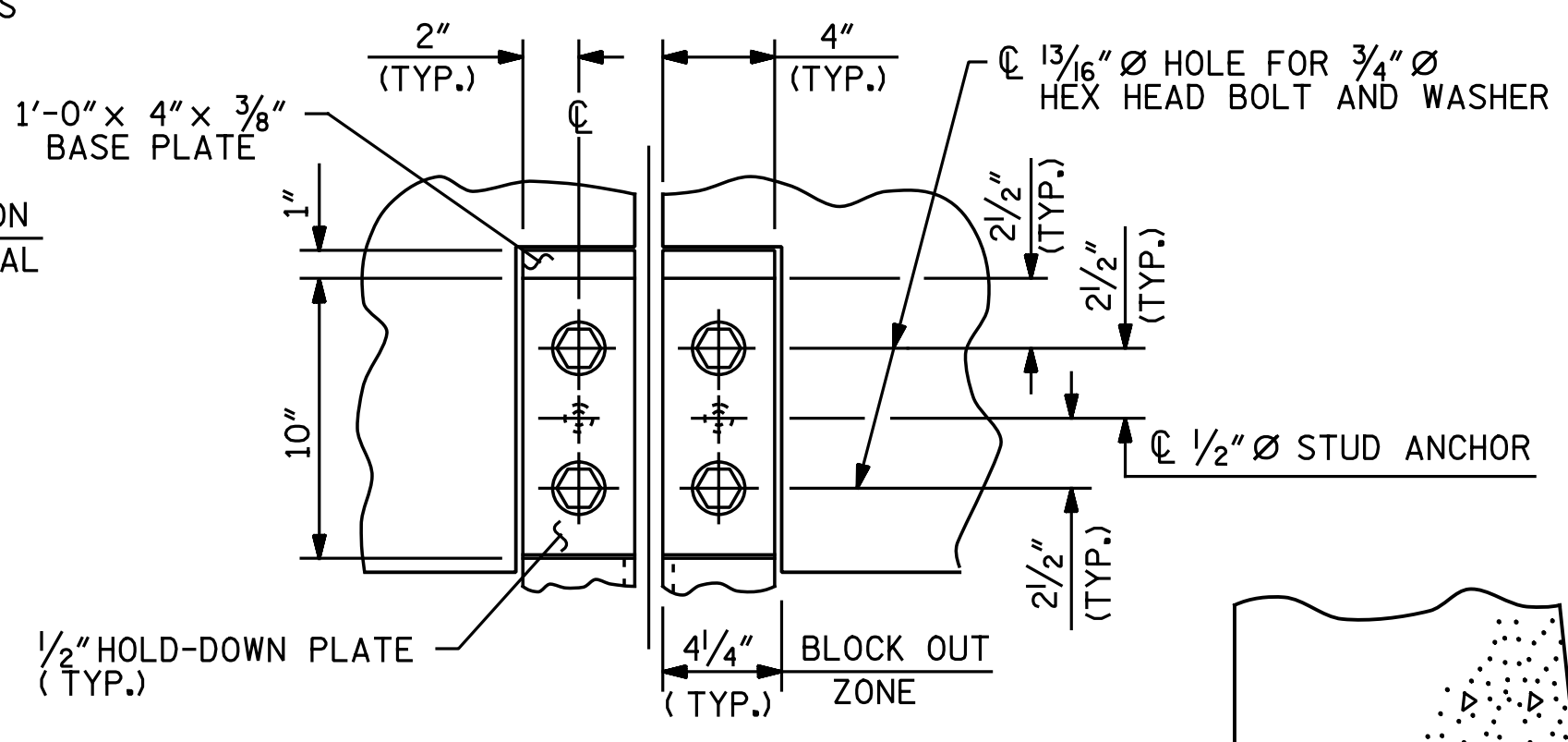


TYPE I - ELEVATION VIEW

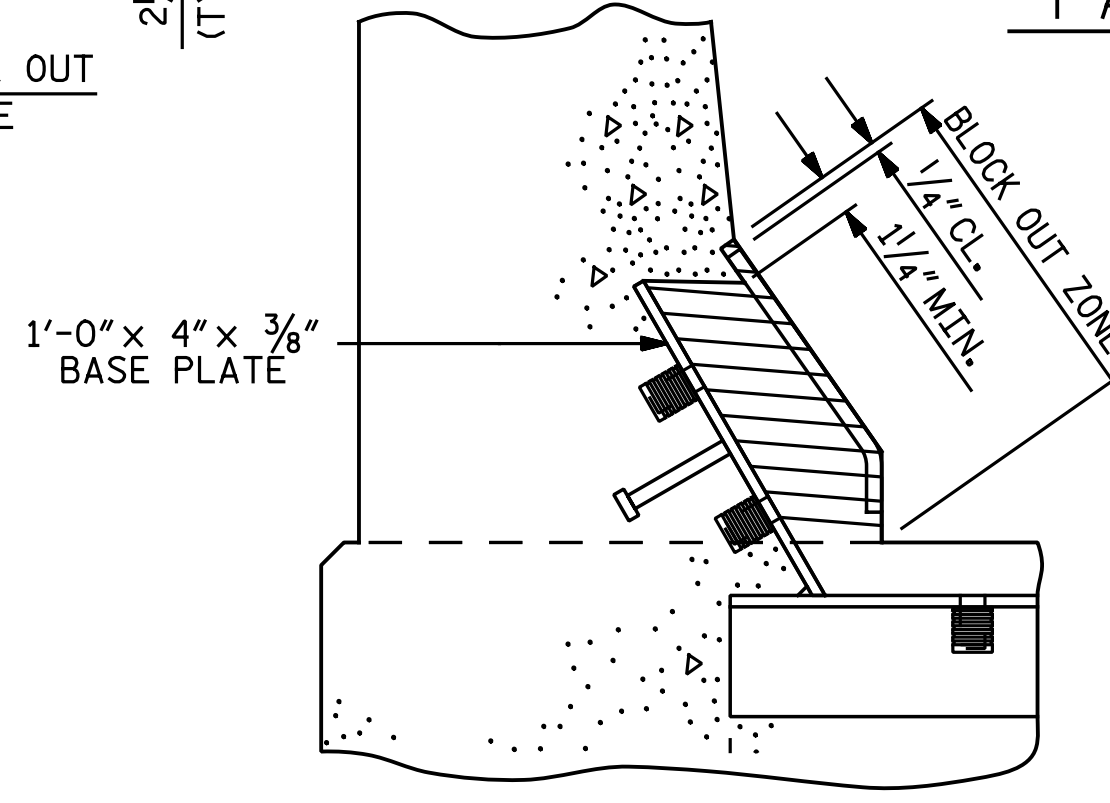


TYPE II - ELEVATION VIEW

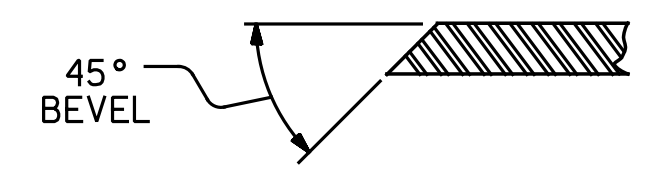
COVER PLATE DETAILS



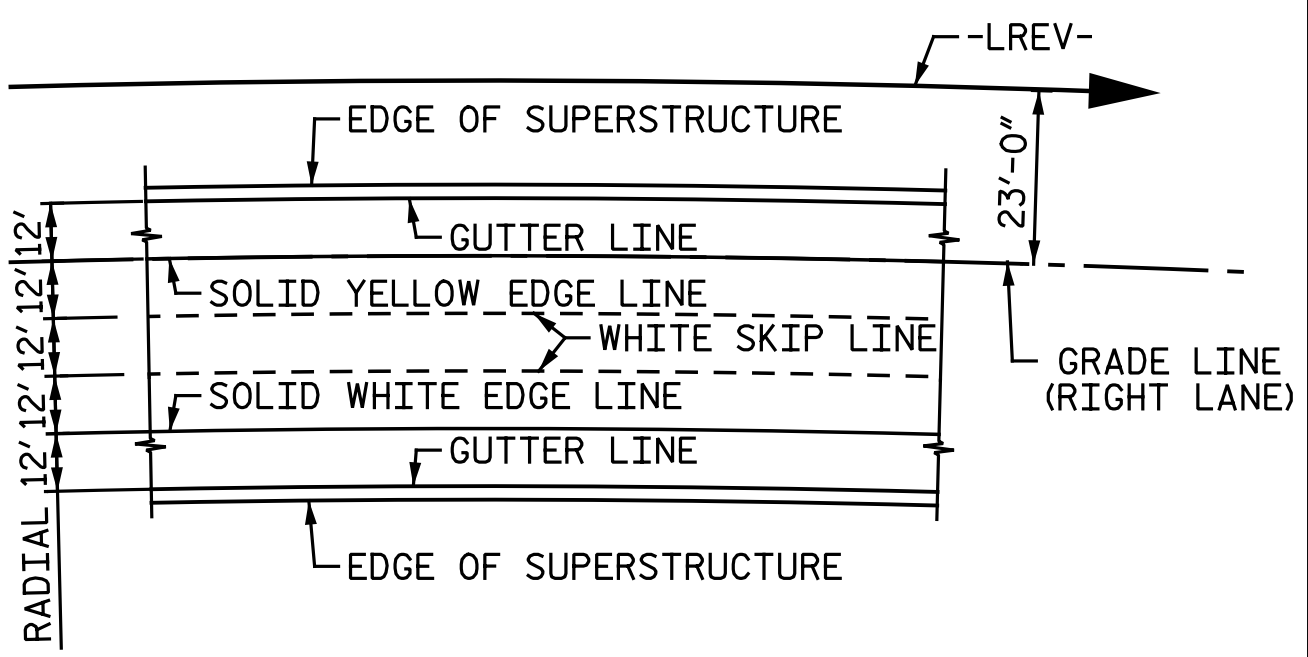
SECTION A-A



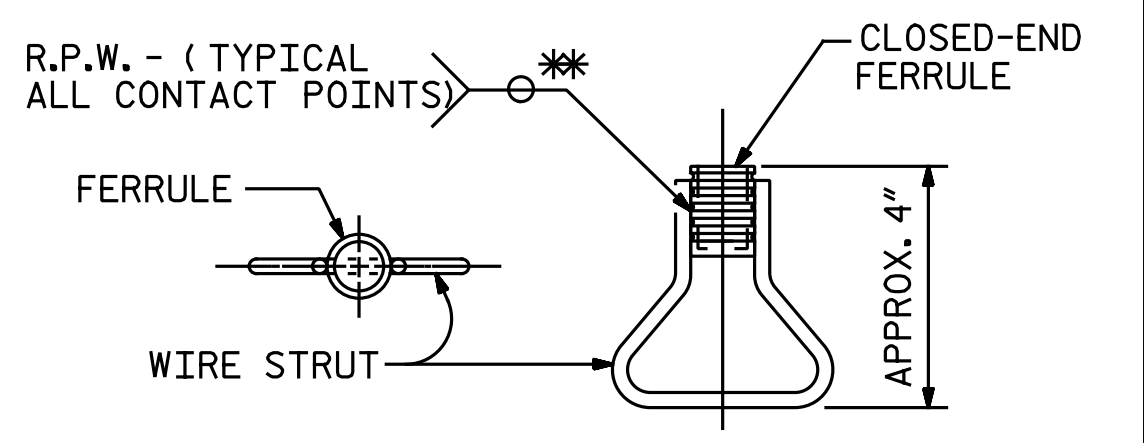
BLOCK OUT DETAIL



SECTION B - B



PAVEMENT MARKING ALIGNMENT



PLAN ELEVATION

CONCRETE INSERT

* EACH WELDED ATTACHMENT OF WIRE TO FERRULE SHALL DEVELOP THE TENSILE STRENGTH OF THE WIRE.

PROJECT NO. U-2524D
 GUILFORD COUNTY
 STATION: 495+22.00 -LREV-
 SHEET 2 OF 2

ASSEMBLED BY : M. D. M./N.B.S.	DATE : 2-4-16
CHECKED BY : B.J. BELL	DATE : 3-21-16
DRAWN BY : REK 9/87	REV. 10/1/11 MAA/GM
CHECKED BY : CRK 10/87	REV. 7/12 MAA/GM
	REV. 6/13 MAA/GM

DOCUMENT NOT CONSIDERED FINAL UNLESS ALL SIGNATURES COMPLETED		NORTH CAROLINA PROFESSIONAL SEAL 042399 ENGINEER BRADLEY J. BELL		STATE OF NORTH CAROLINA DEPARTMENT OF TRANSPORTATION RALEIGH STANDARD EXPANSION JOINT SEAL DETAILS FOR BARRIER RAIL RIGHT LANES	
Michael Baker International 8000 Regency Parkway, Suite 600 Cary, North Carolina 27518 NC License No.: F-1084		REVISIONS		SHEET NO. S4-20 TOTAL SHEETS 35	
NO.	BY:	DATE:	NO.	BY:	DATE:
1			3		
2			4		

nbspecks 7/18/2016 12:23:23 PM
 File name: Y:\Projects\NC DOT\U-2524D\Site\2-DWG\Right\Final\404_021-U2524D-SML_MJ02.dgn