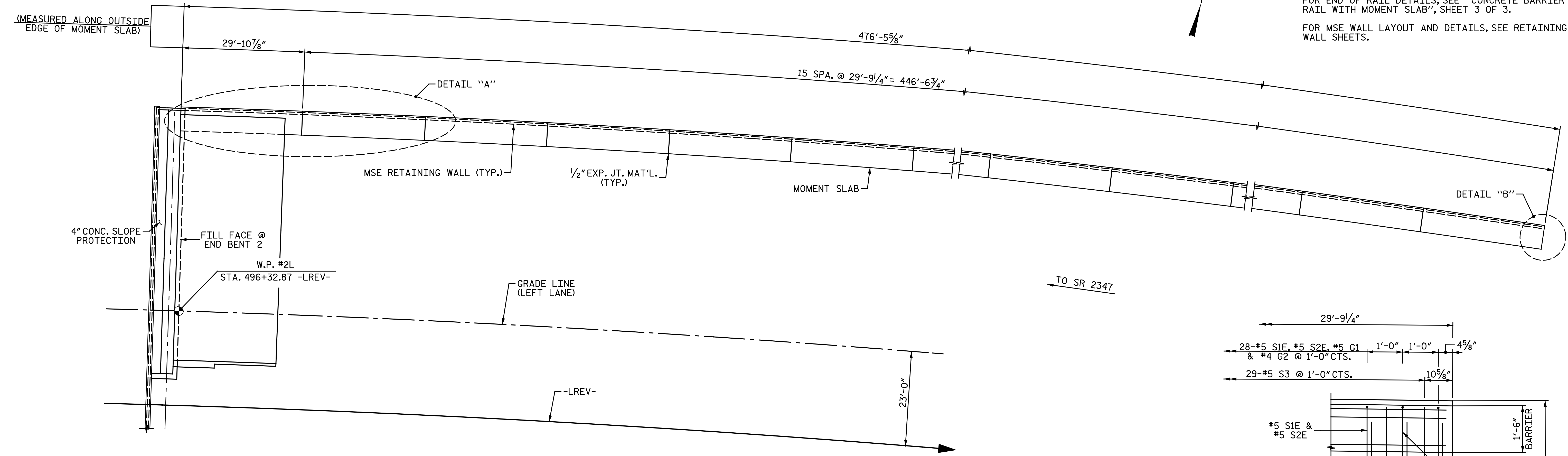
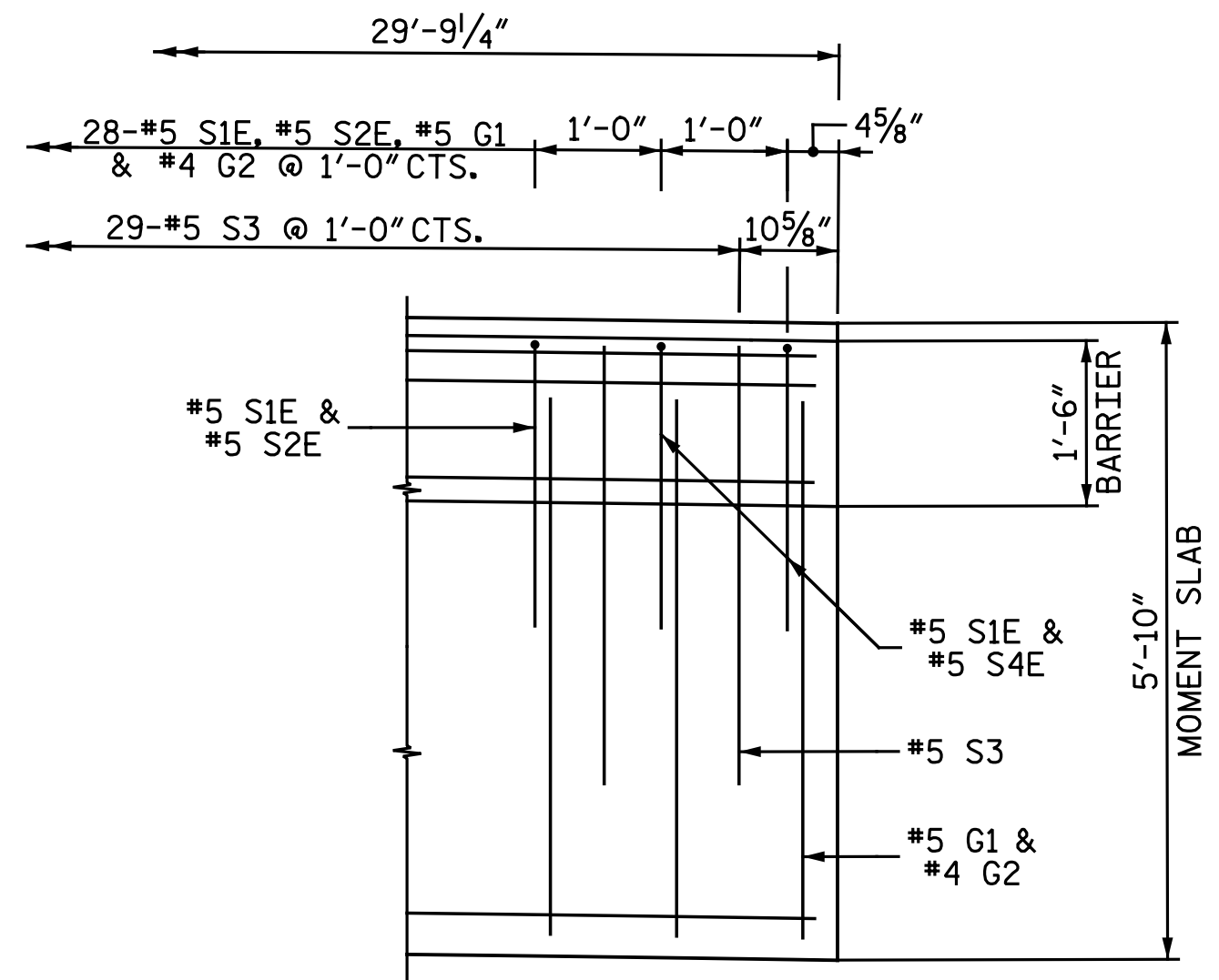


**NOTES:**

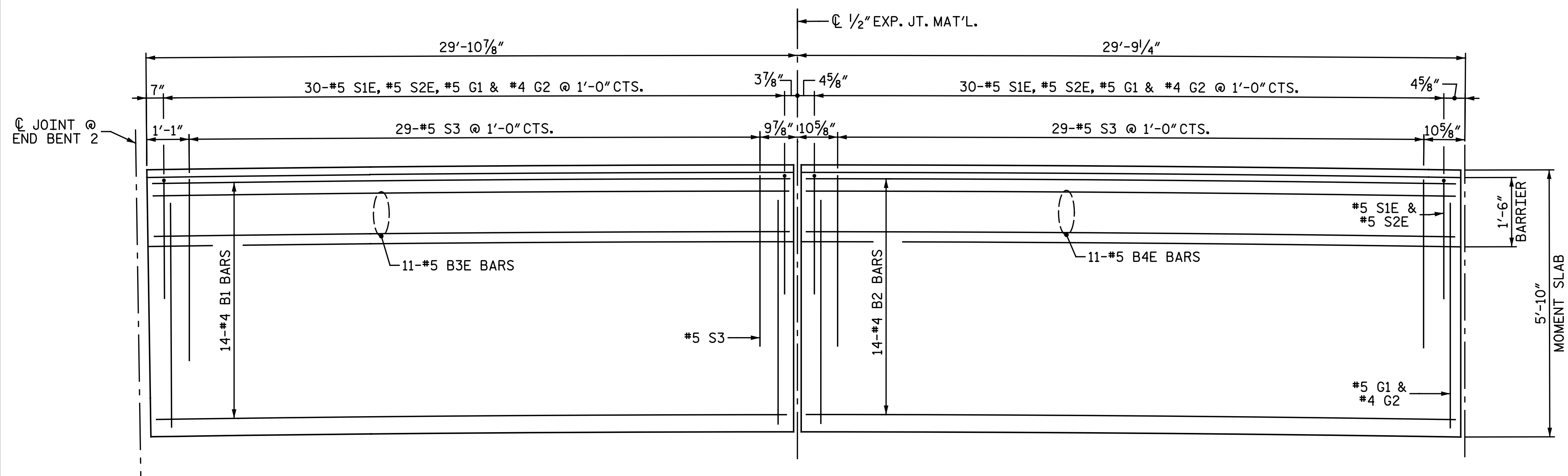
FOR NOTES AND SECTION THRU CONCRETE BARRIER RAIL WITH MOMENT SLAB, SEE "CONCRETE BARRIER RAIL WITH MOMENT SLAB", SHEET 3 OF 3.  
 FOR END OF RAIL DETAILS, SEE "CONCRETE BARRIER RAIL WITH MOMENT SLAB", SHEET 3 OF 3.  
 FOR MSE WALL LAYOUT AND DETAILS, SEE RETAINING WALL SHEETS.



PLAN - END BENT 2



DETAIL "B"



DETAIL "A"

PROJECT NO. U-2524D  
GUILFORD COUNTY  
 STATION: 495+22.00 -LREV-  
 SHEET 2 OF 3

DOCUMENT NOT CONSIDERED FINAL UNLESS ALL SIGNATURES COMPLETED			STATE OF NORTH CAROLINA DEPARTMENT OF TRANSPORTATION RALEIGH		
	Michael Baker Engineering 8000 Regency Parkway, Suite 600 Cary, North Carolina 27518 NC License No.: F-1084		CONCRETE BARRIER RAIL WITH MOMENT SLAB LEFT LANES		
	REVISIONS				
	NO.	BY:	DATE:	NO.	BY:
1			3		
2			4		

DRAWN BY : C. E. MAYHEW DATE : 2-25-16  
 CHECKED BY : B. J. BELL DATE : 3-23-16

cmayhew 5/17/2016 5:18:38 PM  
 File Name: Y:\Projects\NCDOT\U-2524D\Site\2\DWG\Left\Final\403.036\_U2524D\_SMU\_MSE03.dgn