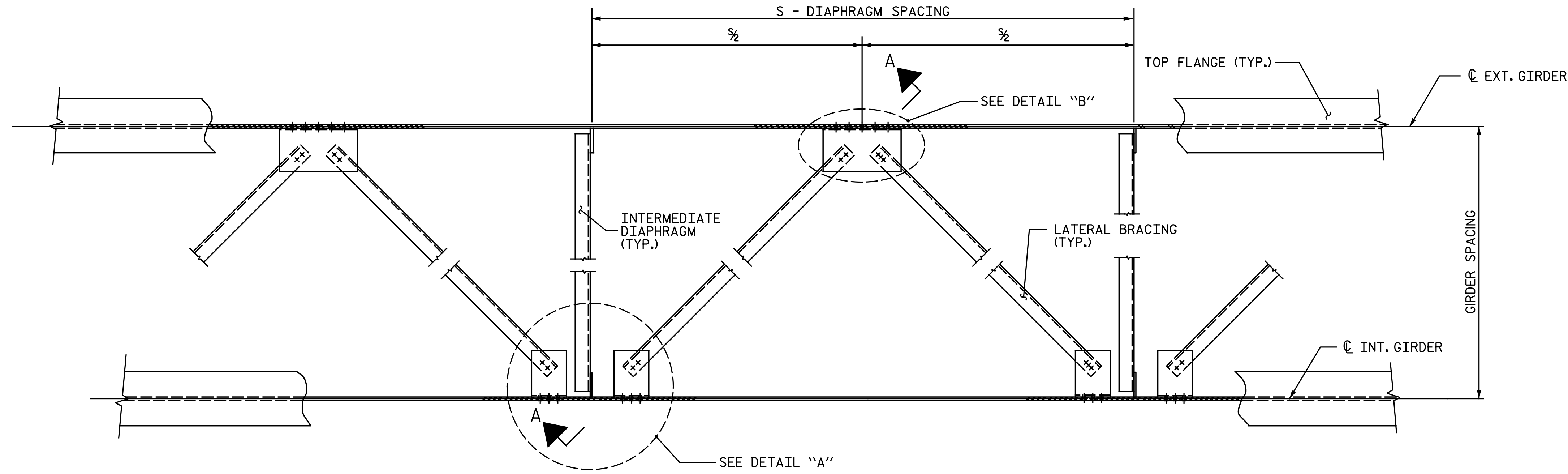
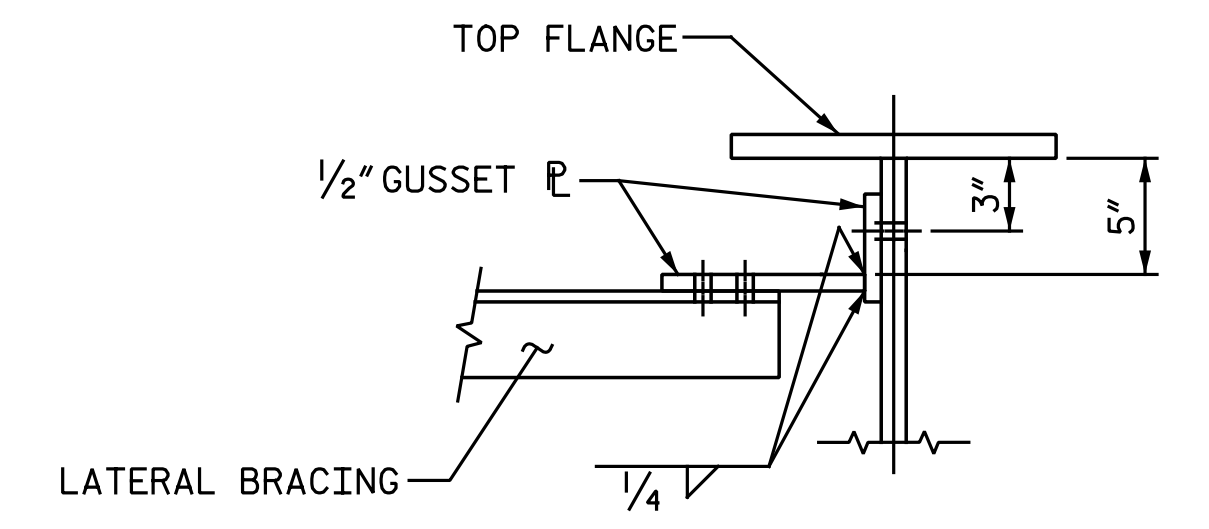


NOTES

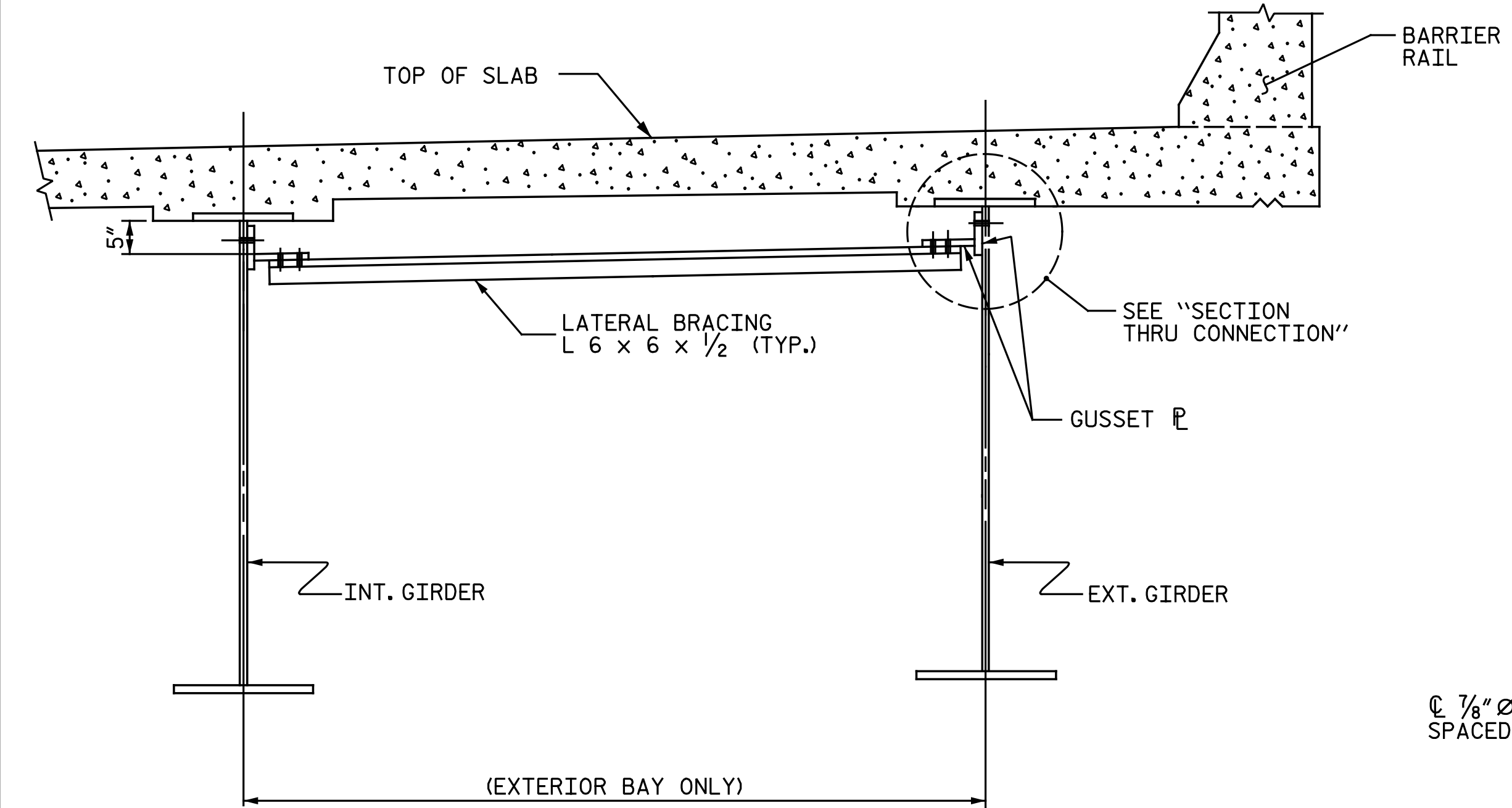
- LATERAL BRACING ASSEMBLY SHALL COMPLY WITH SECTION 1072 OF THE STANDARD SPECIFICATIONS.
- ALL STRUCTURAL STEEL SHALL BE AASHTO M270 GRADE 50W OR APPROVED EQUAL.
- TENSION ON THE ASTM A325 BOLTS SHALL BE CALIBRATED USING DIRECT TENSION INDICATOR WASHERS IN ACCORDANCE WITH THE STANDARD SPECIFICATIONS.
- ALL BOLTED CONNECTIONS SHALL BE 7/8" Ø HIGH STRENGTH BOLTS.
- THE CONTRACTOR HAS THE OPTION TO CLIP THE PROTRUDING CORNERS OF THE GUSSET PLATES, AT NO ADDITIONAL COST TO THE DEPARTMENT.
- BENT GUSSET PLATES OR ROLLED ANGLE SHAPES MAY BE SUBSTITUTED FOR THE WELDED GUSSET PLATES DETAILED IF APPROVED BY THE ENGINEER, AT NO ADDITIONAL COST TO THE DEPARTMENT.
- INSTALL THE LATERAL BRACING AFTER ERECTING THE EXTERIOR GIRDER AND THE ADJACENT INTERIOR GIRDER AND INSTALLING THE INTERMEDIATE DIAPHRAGMS.



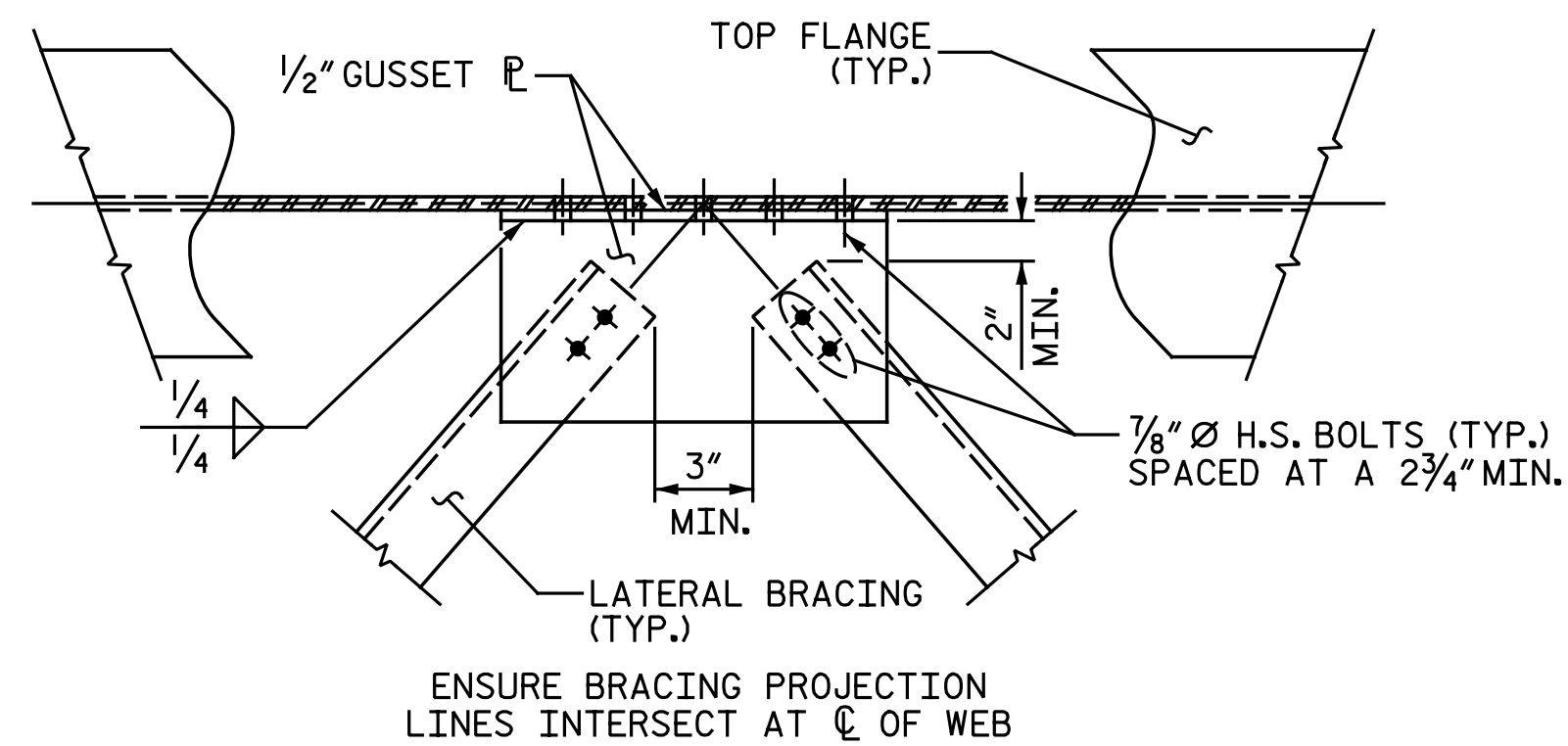
PART PLAN - NEAR TOP FLANGE LATERAL BRACING  
(THROUGHOUT EXTERIOR BAYS ONLY)



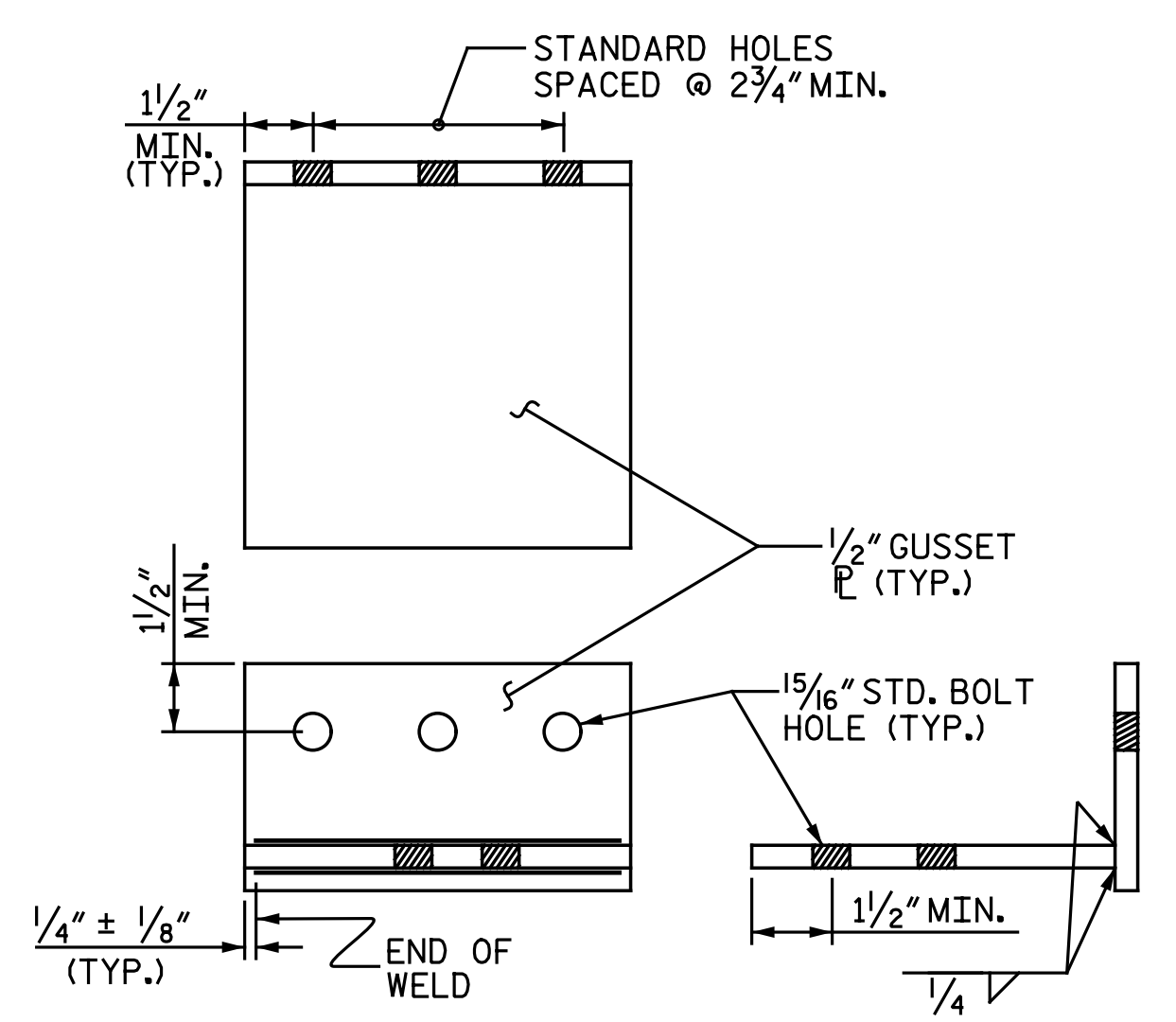
SECTION THRU CONNECTION



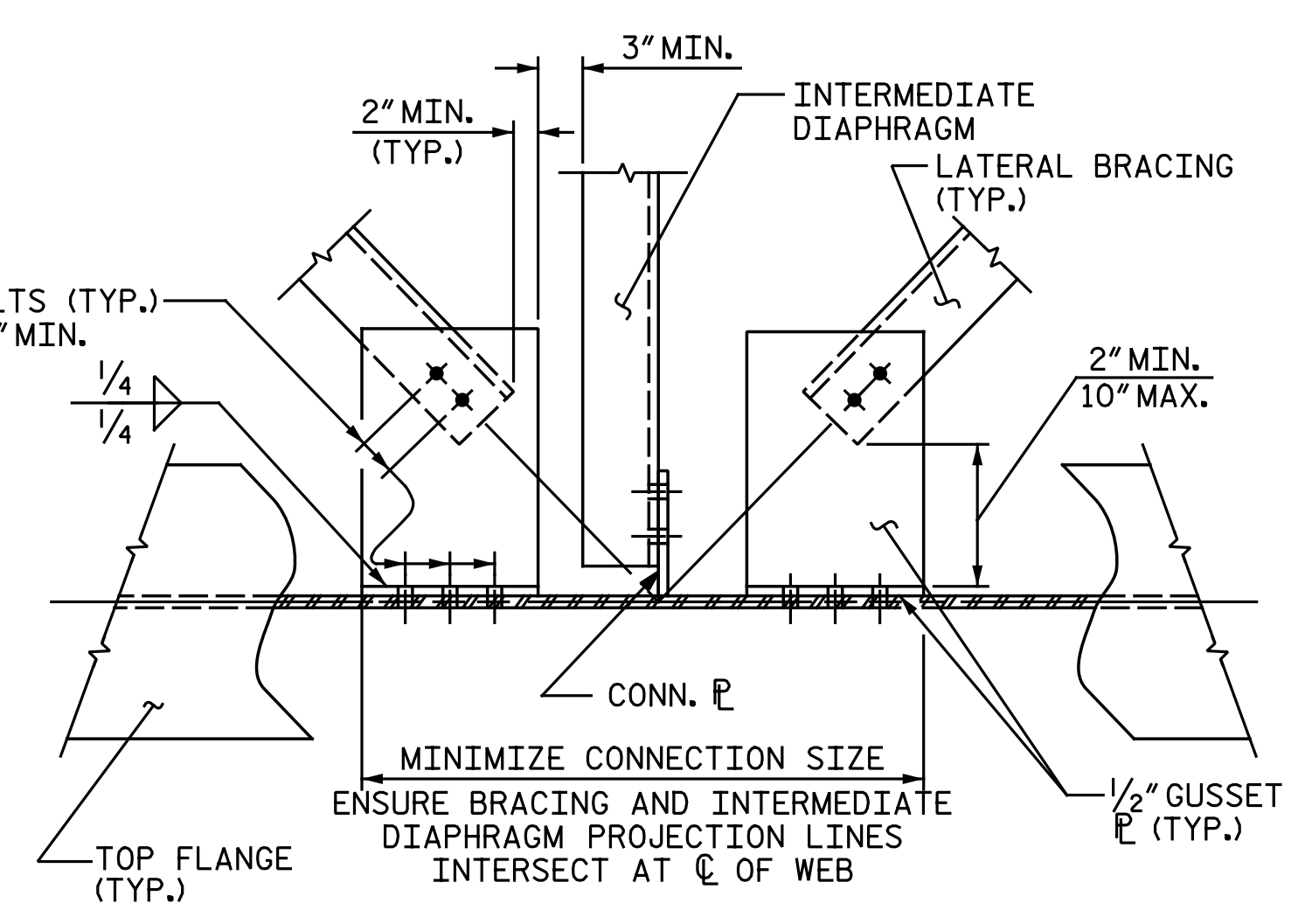
SECTION A-A



DETAIL "B"



CONNECTION DETAIL



DETAIL "A"

DETAIL AT END DIAPHRAGM SIMILAR.  
MAINTAIN 3" MIN. CL. BETWEEN CONCRETE DIAPHRAGM AND GUSSET P.

PROJECT NO. U-2524D  
GUILFORD COUNTY  
STATION: 495+22.00 -LREV-

DOCUMENT NOT CONSIDERED FINAL UNLESS ALL SIGNATURES COMPLETED			STATE OF NORTH CAROLINA DEPARTMENT OF TRANSPORTATION RALEIGH STANDARD LATERAL BRACING LEFT LANES		SHEET NO. S3-13
	Michael Baker Engineering 8000 Regency Parkway, Suite 600 Cary, North Carolina 27518 NC License No.: F-1084		REVISIONS		TOTAL SHEETS 35
	NO.	BY:	DATE:	NO.	BY:
1			3		
2			4		

5/17/2016 5:18:20 PM  
 File name: Y:\Projects\NCDDOT\U-2524D\Site-2\DWG\Left\Final\403.014.U2524D\_SMU\_SS03.dgn

ASSEMBLED BY: M. D. MAYHEW	DATE: 11-30-15
CHECKED BY: B. J. BELL	DATE: 3-23-16
DRAWN BY: WMC 6/11	ADDED: 10/31/11
CHECKED BY: GM 6/11	