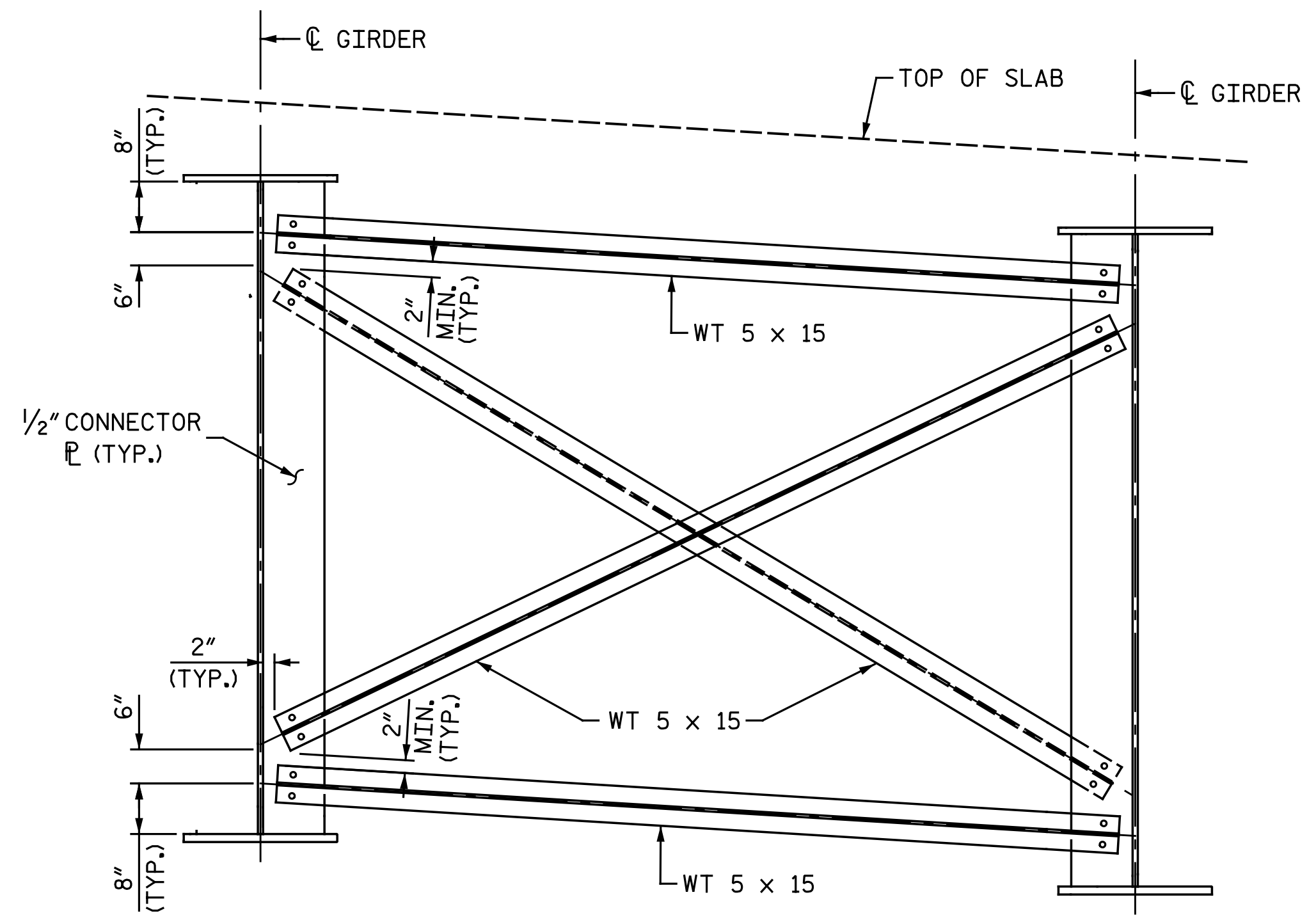
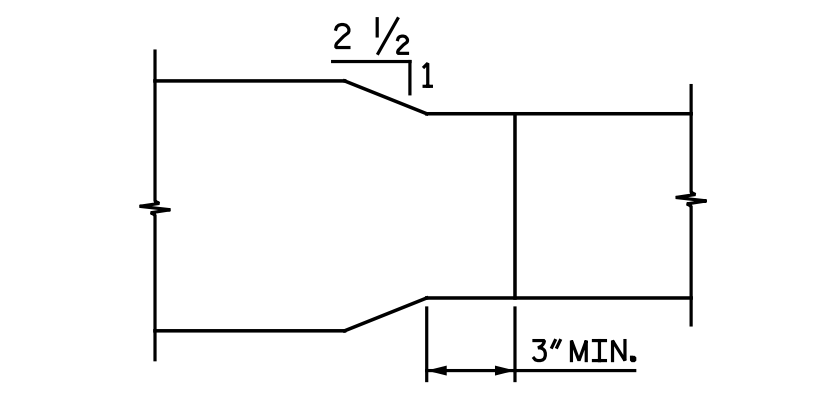


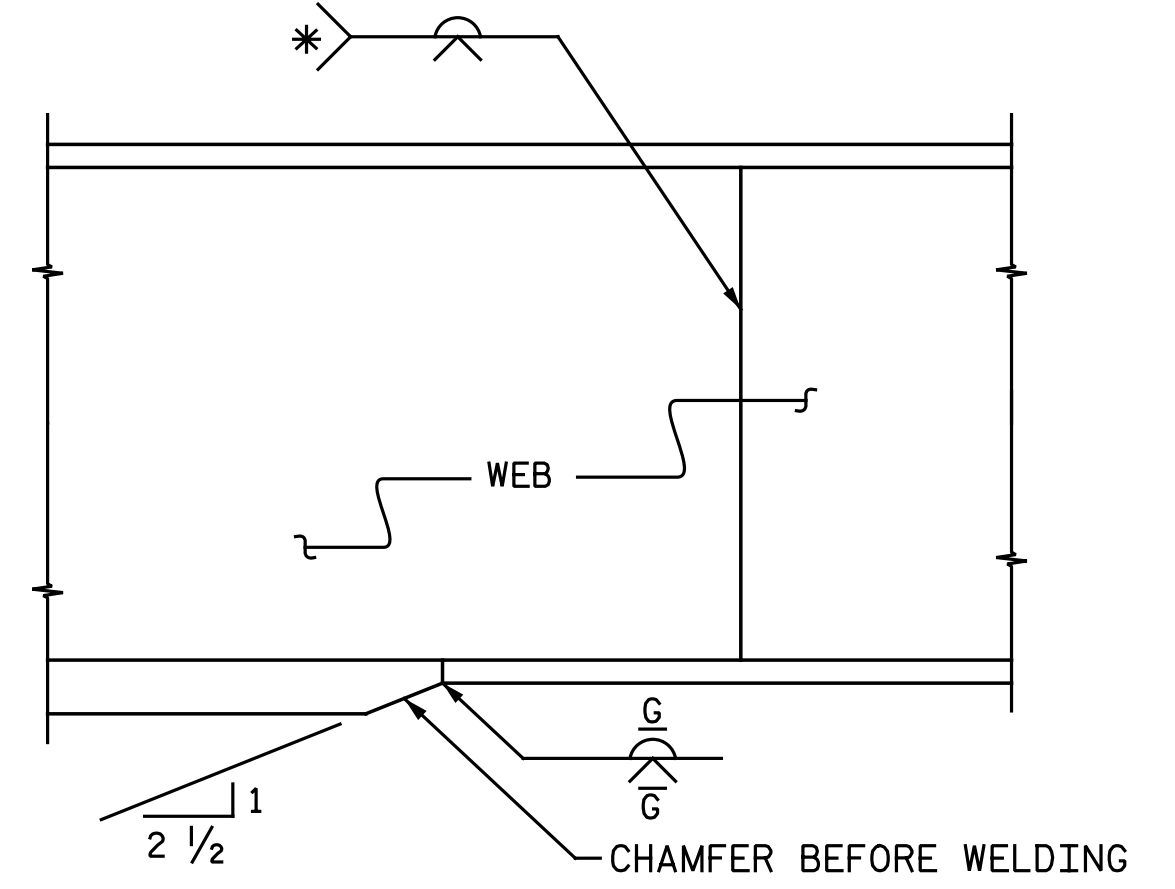
END BENT DIAPHRAGM (D1)



INTERMEDIATE DIAPHRAGM (D2)



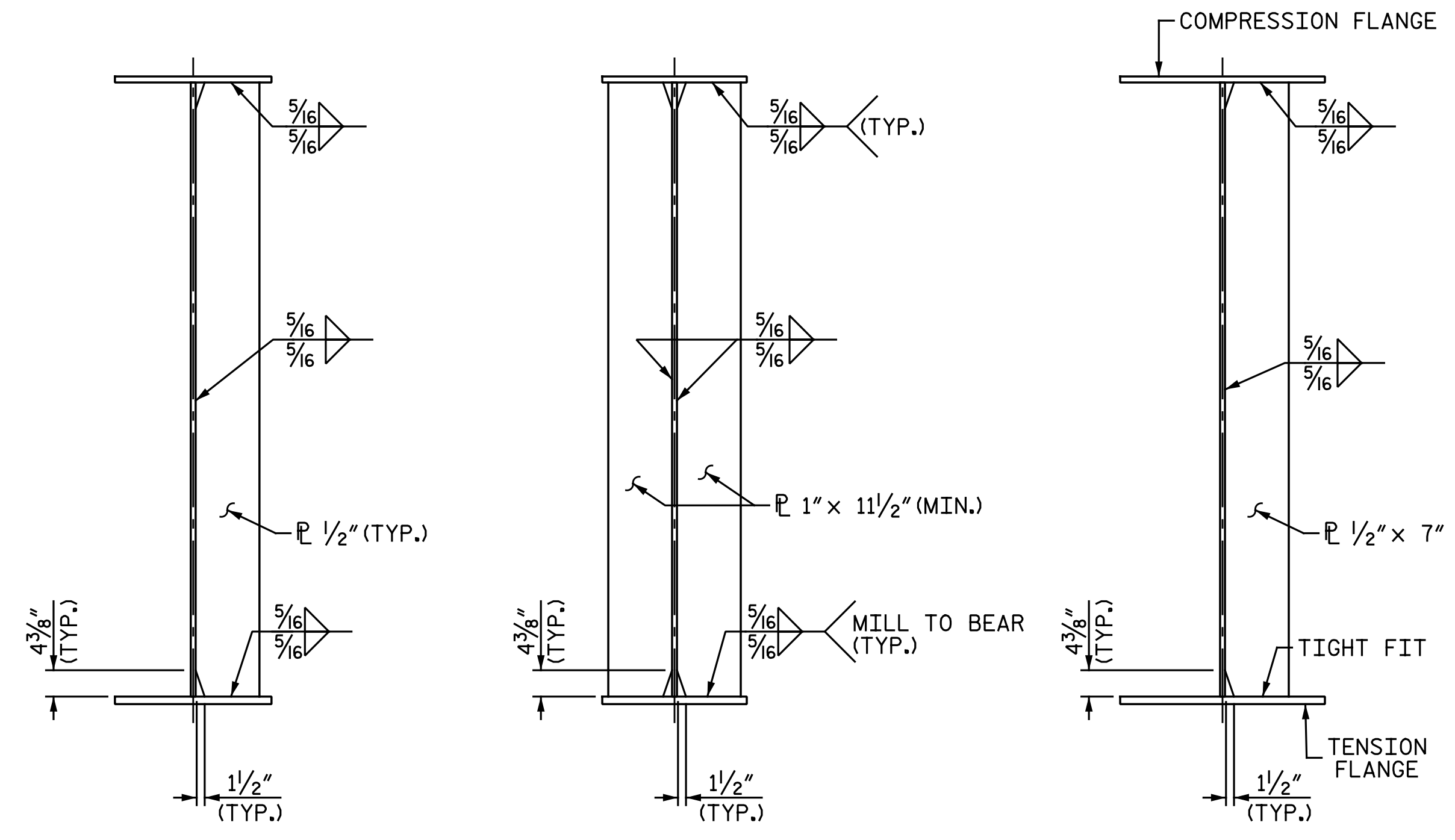
PLAN - FLANGE SPLICE



ELEVATION

TYPICAL FLANGE AND WEB BUTT JOINT

* GRIND SMOOTH AND FLUSH ON OUTER FACE OF EXTERIOR BEAMS /GIRDERS

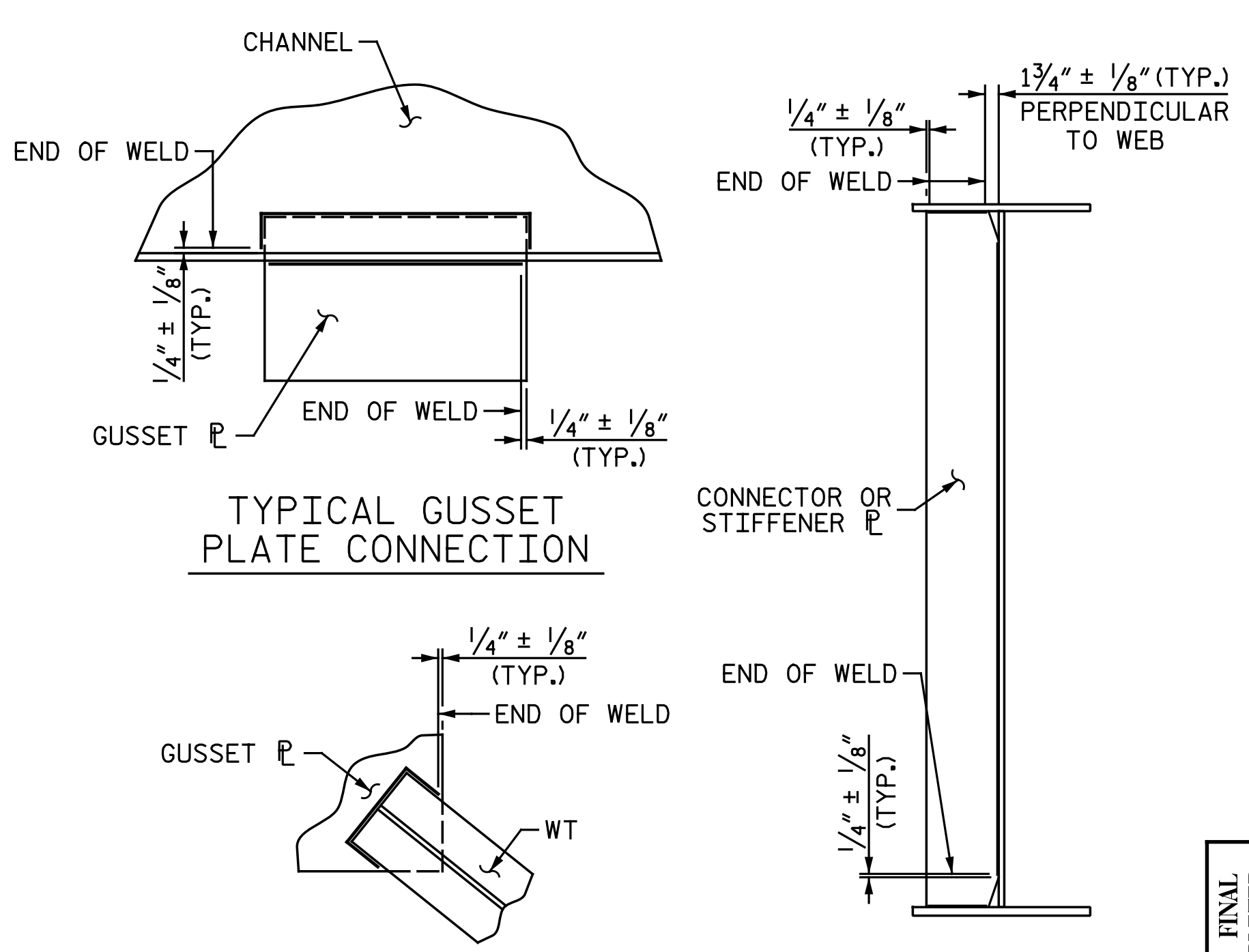


INTERMEDIATE DIAPHRAGM CONNECTOR PLATE

BEARING STIFFENER

BEARING STIFFENER MAY REQUIRE COPING IF WIDER THAN BOTTOM FLANGE

TRANSVERSE STIFFENER

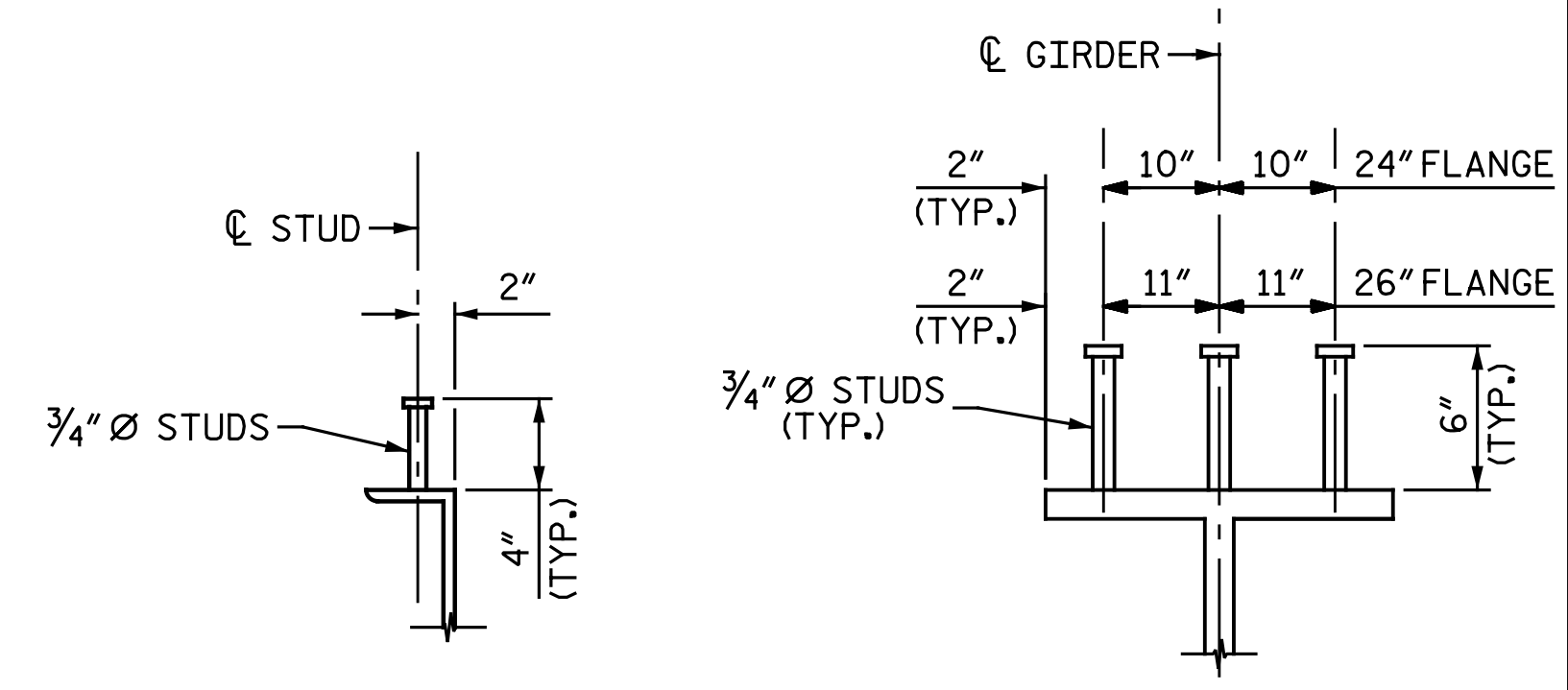


TYPICAL GUSSET PLATE CONNECTION

TYPICAL "TEE" TO GUSSET PLATE CONNECTION

TYPICAL STIFFENER OR CONNECTOR PLATE CONNECTION

WELD TERMINATION DETAILS



DIAPHRAGM SHEAR CONNECTORS

GIRDER SHEAR CONNECTORS

SHEAR CONNECTOR DETAILS

PROJECT NO. U-2524D
 GUILFORD COUNTY
 STATION: 495+22.00 -LREV-
 SHEET 1 OF 2

5/17/2016 5:18:19 PM
 File Name: Y:\Projects\NC DOT\U-2524D\Site-2\DWG\Left\Final\403.012.U2524D_SML.S501.dgn

DRAWN BY: M. D. MAYHEW DATE: 2-2-16
 CHECKED BY: B. J. BELL DATE: 3-23-16

DOCUMENT NOT CONSIDERED FINAL UNLESS ALL SIGNATURES COMPLETED			STATE OF NORTH CAROLINA DEPARTMENT OF TRANSPORTATION RALEIGH SUPERSTRUCTURE STRUCTURAL STEEL DETAILS LEFT LANES		
	Michael Baker International 8000 Regency Parkway, Suite 600 Cary, North Carolina 27518 NC License No.: F-1084		REVISIONS		
	NO.	BY:	DATE:	NO.	BY:
1			3		
2			4		

SHEET NO. S3-11
 TOTAL SHEETS 35