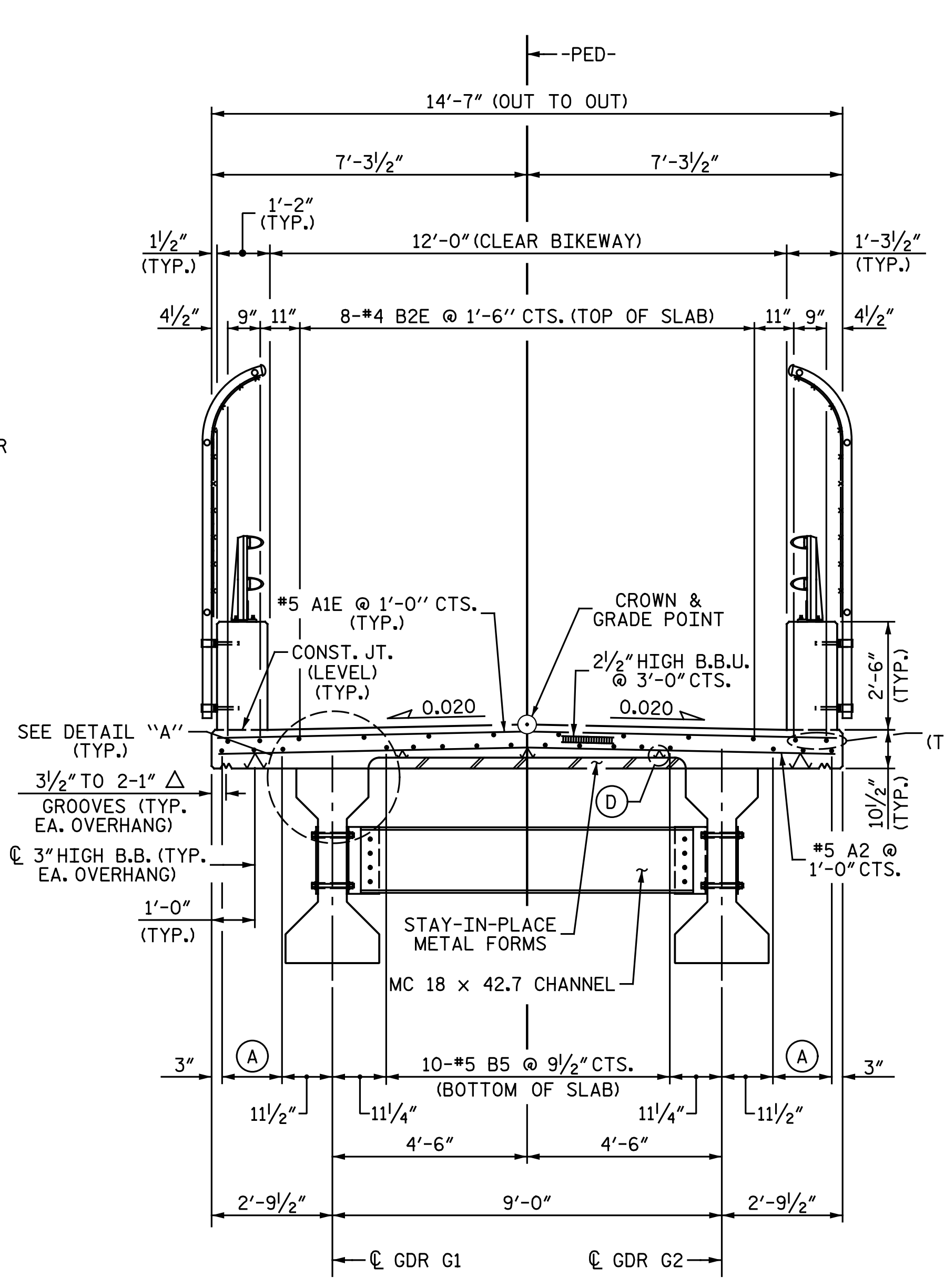
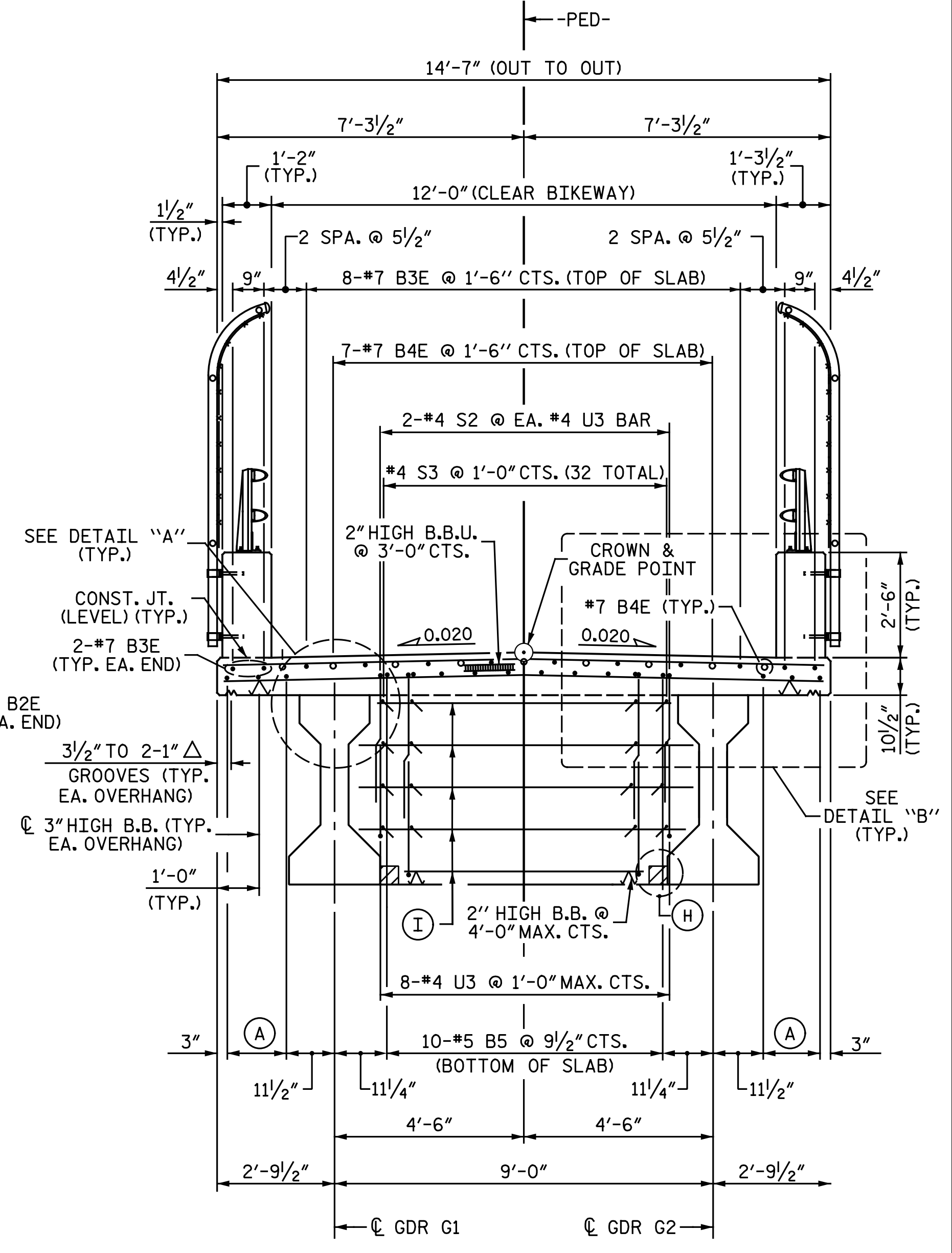


TYPICAL SECTION @ INTEGRAL END BENT

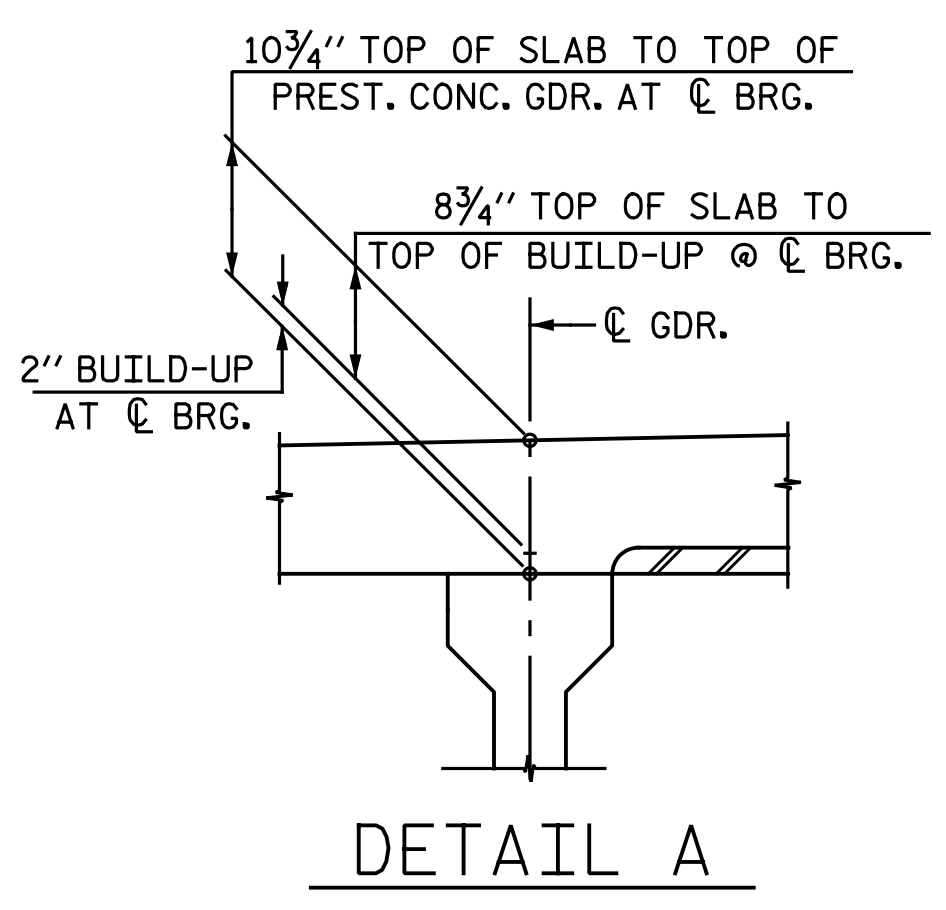


TYPICAL SECTION @ INTERMEDIATE DIAPHRAGM



TYPICAL SECTION @ BENT DIAPHRAGM

- (A) 3-#5 B5 BARS @ 9/2" CTS. (BOTTOM OF SLAB)
- (B) #5 "A" @ 1'-0" CTS.
- (C) #4 K10E (EA. FACE) (TYP. EA. SIDE)
- (D) 1/4" HIGH B.B.U. (SEE NOTES ON "TYPICAL SECTION DETAILS" SHEET)
- (E) 11 5/8" (TYP. EA. SIDE)
- (F) 1'-5 5/16" (TYP. EA. SIDE)
- (G) #4 U2E @ 1'-0" CTS. (TYP. EA. SIDE) (TO MATCH #4 V1 IN CAP)
- (H) CONTINUOUS BENT DIAPHRAGM BLOCKOUT (SEE "TYPICAL SECTION DETAILS" SHEET)
- (I) #4 "K" (SEE "TYPICAL SECTION DETAILS" SHEET FOR BAR LAYOUT)



DETAIL A

NOTES:

- FOR DETAILS OF VINYL COATED CHAIN LINK FENCING, SEE "BRIDGE MOUNTED VINYL COATED CHAIN LINK FENCE" SHEET.
- FOR DETAILS OF CONCRETE PARAPET FOR 2 BAR METAL RAIL, SEE "CONCRETE PARAPET DETAILS" SHEET.
- FOR DETAILS OF 2 BAR METAL RAIL, SEE "2 BAR METAL RAIL" SHEETS.
- FOR DETAILS OF INTERMEDIATE DIAPHRAGMS, SEE "INTERMEDIATE STEEL DIAPHRAGMS FOR TYPE IV PRESTRESSED CONCRETE GIRDERS" SHEET.
- FOR ADDITIONAL NOTES AND DETAIL "B", SEE "TYPICAL SECTION DETAILS" SHEET.

PROJECT NO. U-2524D
GUILFORD COUNTY
 STATION: 13+62.84 -PED-

5/5/2016 12:03:14 PM
 File Name: Y:\Projects\NC DOT\U-2524D\Site\1.DWG\Final\402_006_U2524D_SML.TS01.dgn
 onayhew

DRAWN BY : C. E. M./N.B.S. DATE : 7-28-15
 CHECKED BY : A. M. HOUSTON DATE : 2-8-16

DOCUMENT NOT CONSIDERED FINAL UNLESS ALL SIGNATURES COMPLETED			STATE OF NORTH CAROLINA DEPARTMENT OF TRANSPORTATION RALEIGH SUPERSTRUCTURE TYPICAL SECTION			
	REVISIONS					
	NO.	BY:	DATE:	NO.	BY:	DATE:
	1			3		
2			4			
Michael Baker International		Michael Baker Engineering 8000 Regency Parkway, Suite 600 Cary, North Carolina 27518 NC License No.: F-1084		SHEET NO. S2-5 TOTAL SHEETS 33		