

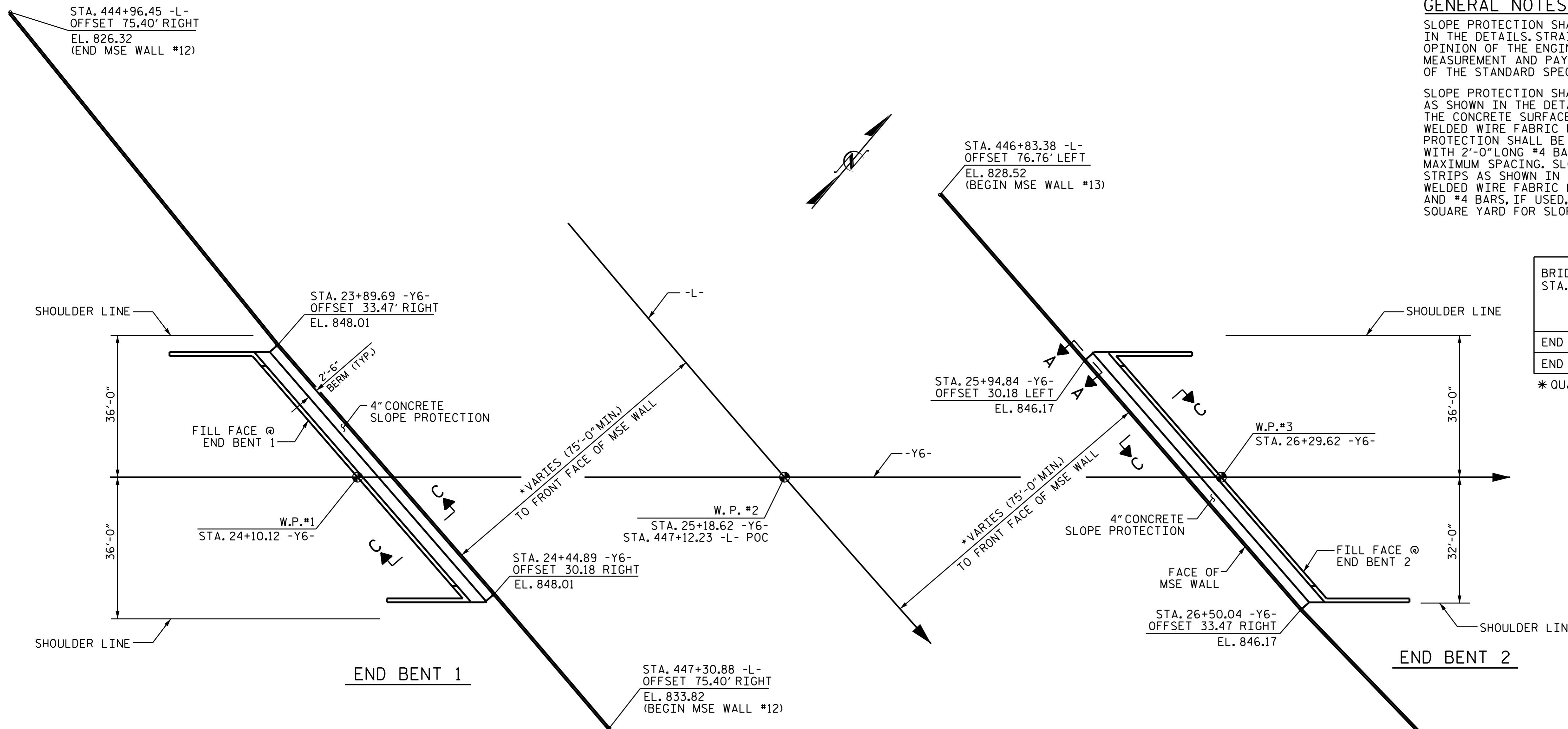
GENERAL NOTES

SLOPE PROTECTION SHALL BE PLACED UNDER THE ENDS OF THE BRIDGE AS SHOWN IN THE DETAILS. STRAIGHT EDGING WILL NOT BE REQUIRED UNLESS, IN THE OPINION OF THE ENGINEER, VISUAL INSPECTION INDICATES A NEED FOR IT. MEASUREMENT AND PAYMENT SHALL BE AS PRESCRIBED IN SECTION 462 OF THE STANDARD SPECIFICATIONS.

SLOPE PROTECTION SHALL CONSIST OF 4" POURED-IN-PLACE CONCRETE PAVING AS SHOWN IN THE DETAILS ON THIS SHEET. CONCRETE SHALL BE CLASS "B". THE CONCRETE SURFACE SHALL BE FLOATED WITH A WOODEN FLOAT AND FINISHED. WELDED WIRE FABRIC REINFORCING SHALL BE 6 X 6 - W1.4 X W1.4, 60" WIDE. SLOPE PROTECTION SHALL BE POURED IN 5' STRIPS AS SHOWN IN THE "POURING DETAIL" WITH 2'-0" LONG #4 BARS PLACED ALONG THE SLOPE BETWEEN STRIPS AT 1'-6" MAXIMUM SPACING. SLOPE PROTECTION MAY BE POURED IN ALTERNATE 4' AND 5' STRIPS AS SHOWN IN THE "OPTIONAL POURING DETAIL" WITH ADJACENT RUNS OF WELDED WIRE FABRIC LAPPING AT LEAST 6". THE COST OF THE WELDED WIRE FABRIC AND #4 BARS, IF USED, SHALL BE INCLUDED IN THE CONTRACT UNIT PRICE BID PER SQUARE YARD FOR SLOPE PROTECTION.

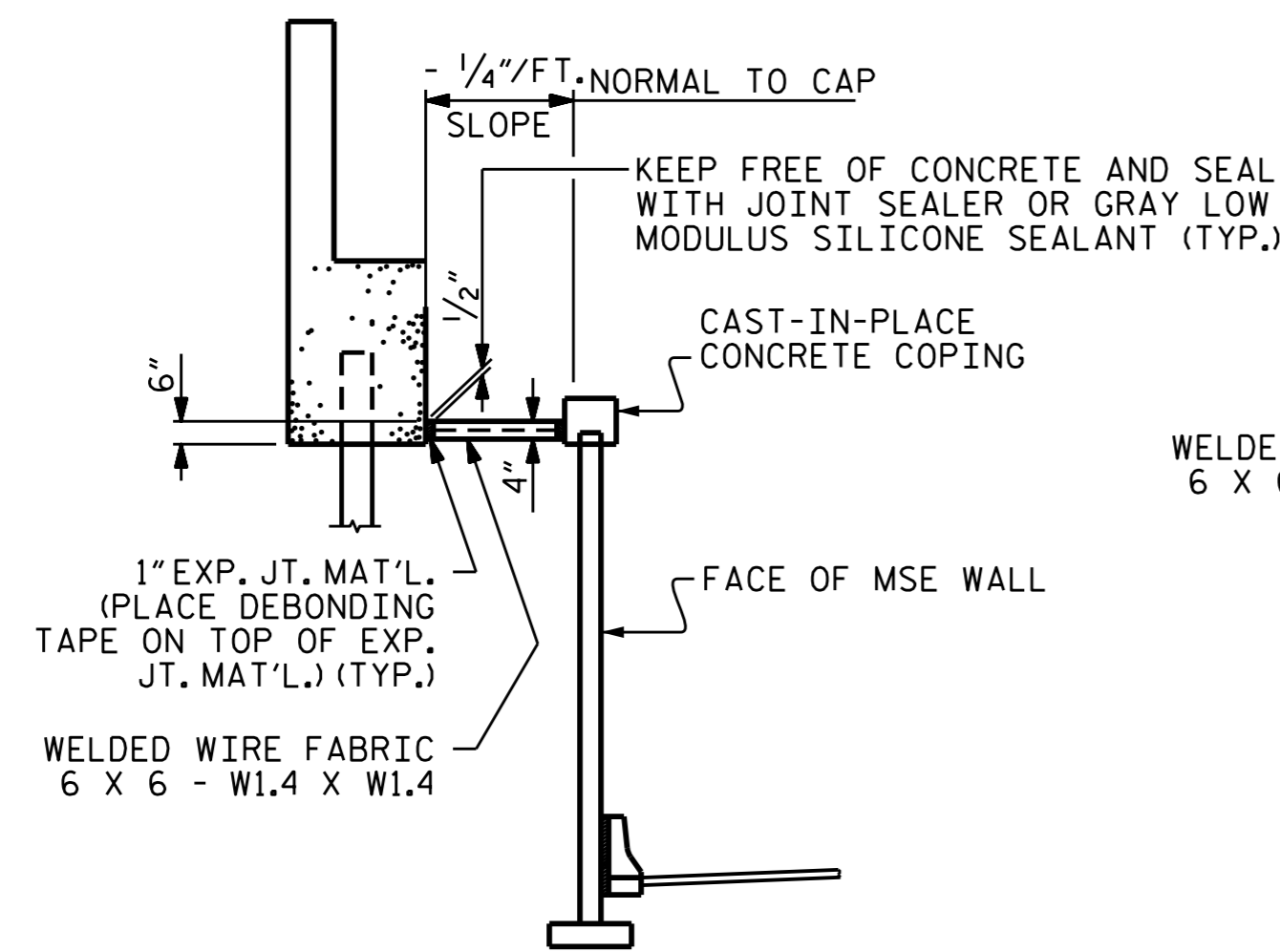
BRIDGE @ STA. 25+18.62 -Y6-	4 INCH SLOPE PROTECTION	* WELDED WIRE FABRIC 60 INCHES WIDE
	SQUARE YARDS	APPROX. L.F.
END BENT 1	23	47
END BENT 2	23	47

* QUANTITY SHOWN IS BASED ON 5' POURS.

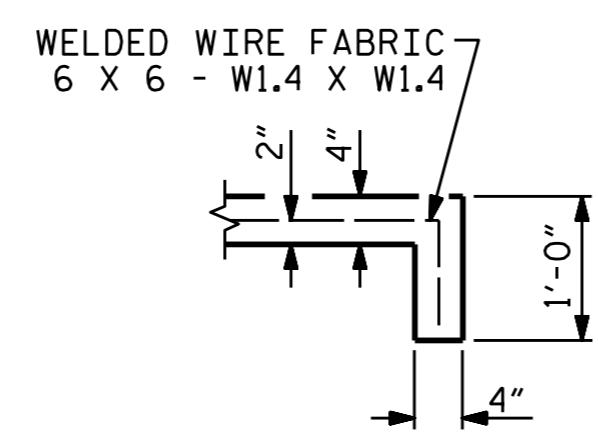


PLAN

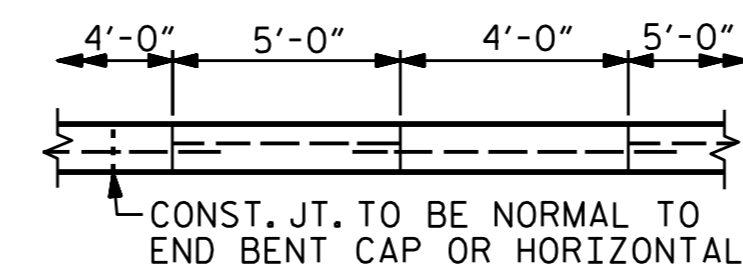
FOR DETAILS & QUANTITIES OF MSE WALL, SEE "MSE RETAINING WALL" ON SHEETS W-4 THRU W-8.



SECTION C-C

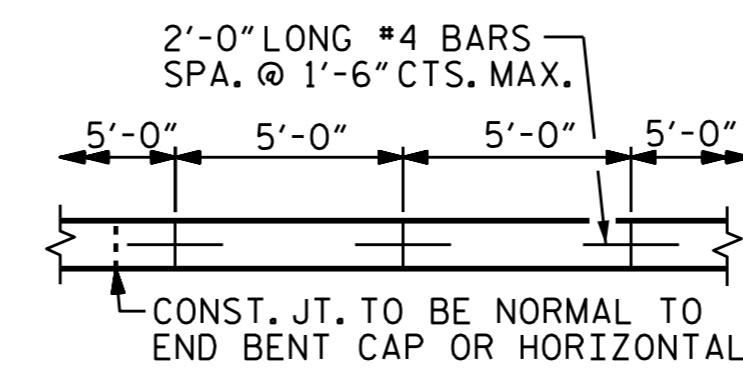


SECTION A-A



POUR A 4'-0" STRIP FIRST. STRIP WIDTHS MAY VARY IN CURVED PORTION.

OPTIONAL POURING DETAIL



STRIP WIDTHS MAY VARY IN CURVED PORTION.

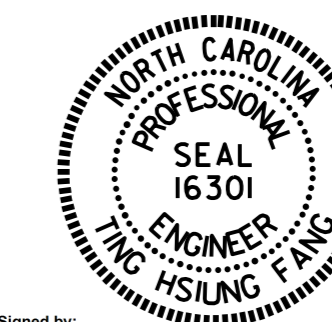
POURING DETAIL

DETAILS FOR SLOPE PROTECTION

DRAWN BY : M. SHAHIDI DATE : 4/22/16
 CHECKED BY : T. H. FANG DATE : 4/29/16
 DESIGN ENGINEER OF RECORD: P. K. NEWTON DATE : 5/10/16

01-JUL-2016 13:11
 K:\TIP\Projects-U\U2524D\Structures\Plans\bridge\str1\Final plans\U2524d.sd.sp.dgn
 t.fang

DocuSigned by:
 Ting Fang
 17208840097435 7/1/2016



PROJECT NO. U-2524D
 GUILFORD COUNTY
 STATION: 25+18.62 -Y6-

STATE OF NORTH CAROLINA DEPARTMENT OF TRANSPORTATION RALEIGH					
SLOPE PROTECTION DETAILS					
REVISIONS					
NO.	BY:	DATE:	NO.	BY:	DATE:
1			3		
2			4		

DOCUMENT NOT CONSIDERED FINAL UNLESS ALL SIGNATURES COMPLETED

SHEET NO.
S1-30
TOTAL SHEETS
33

STR. #1