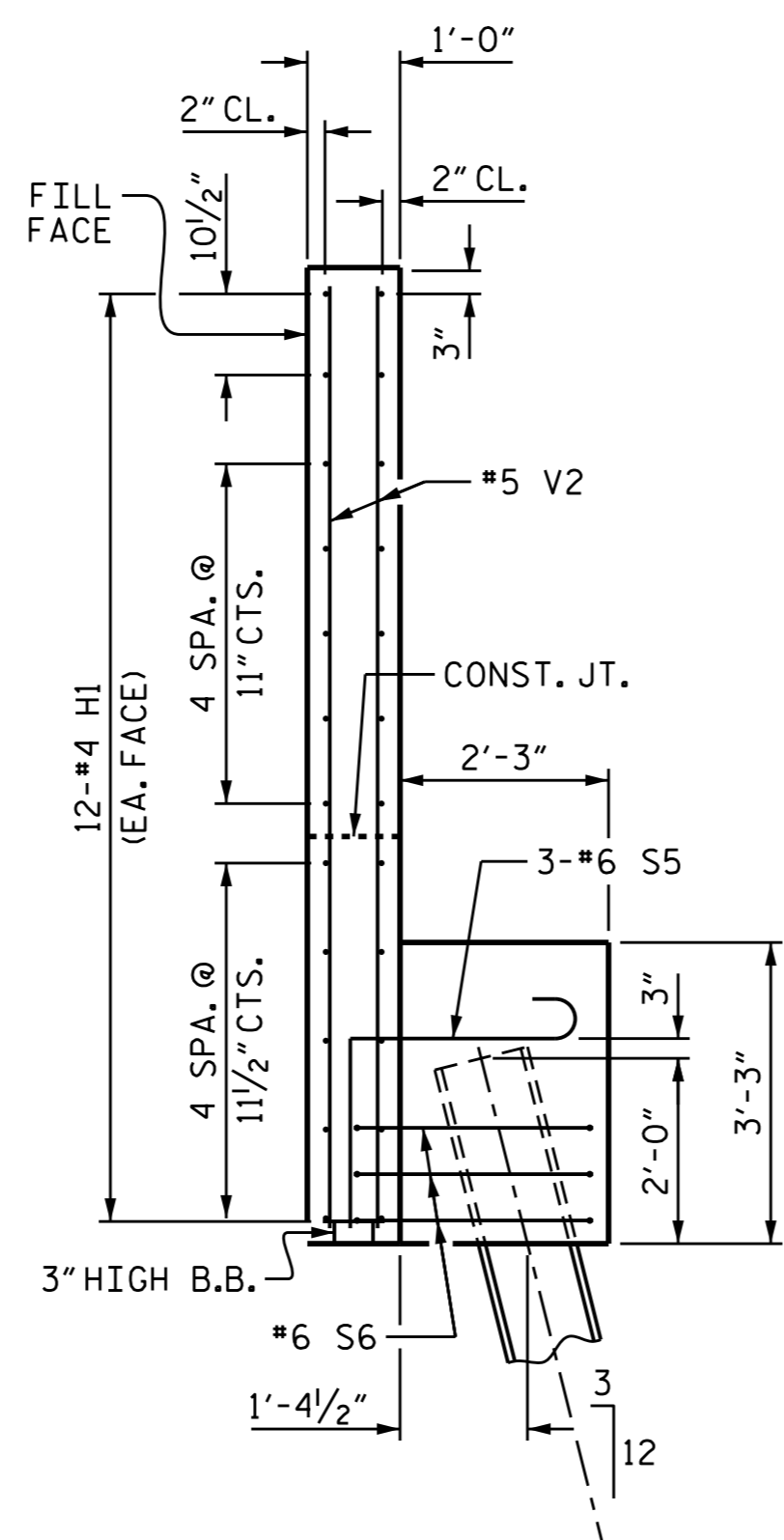
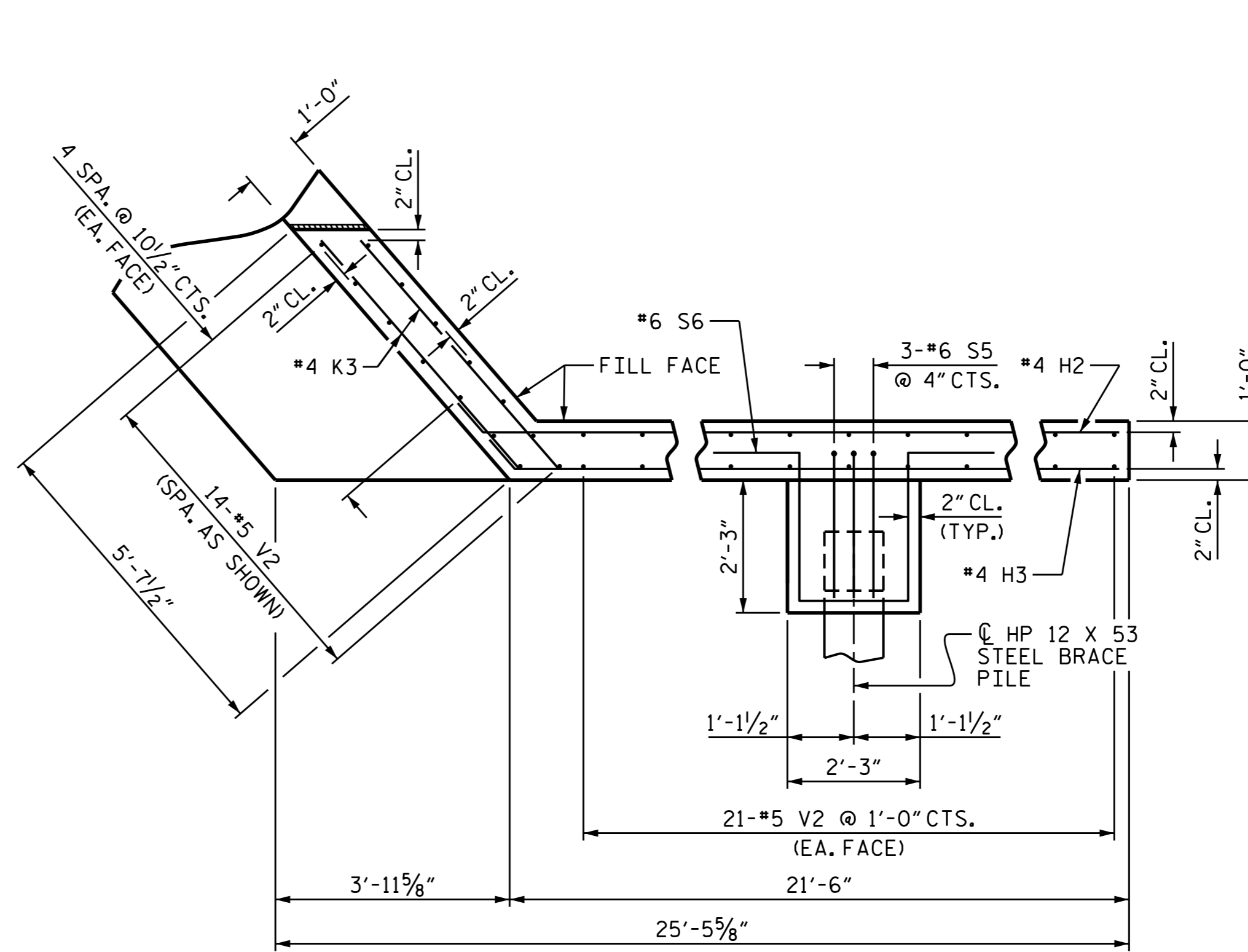


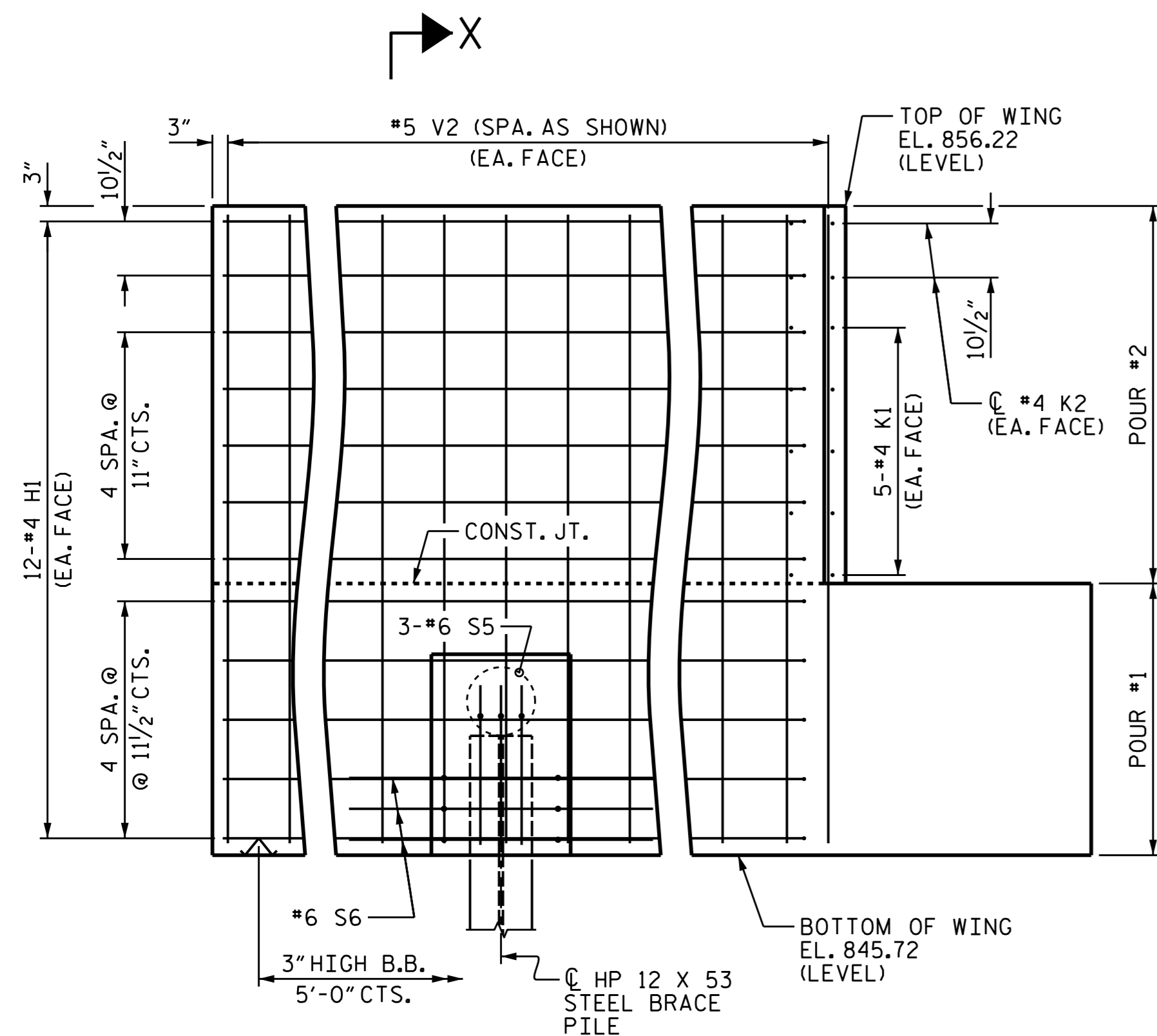
PLAN OF WING W1



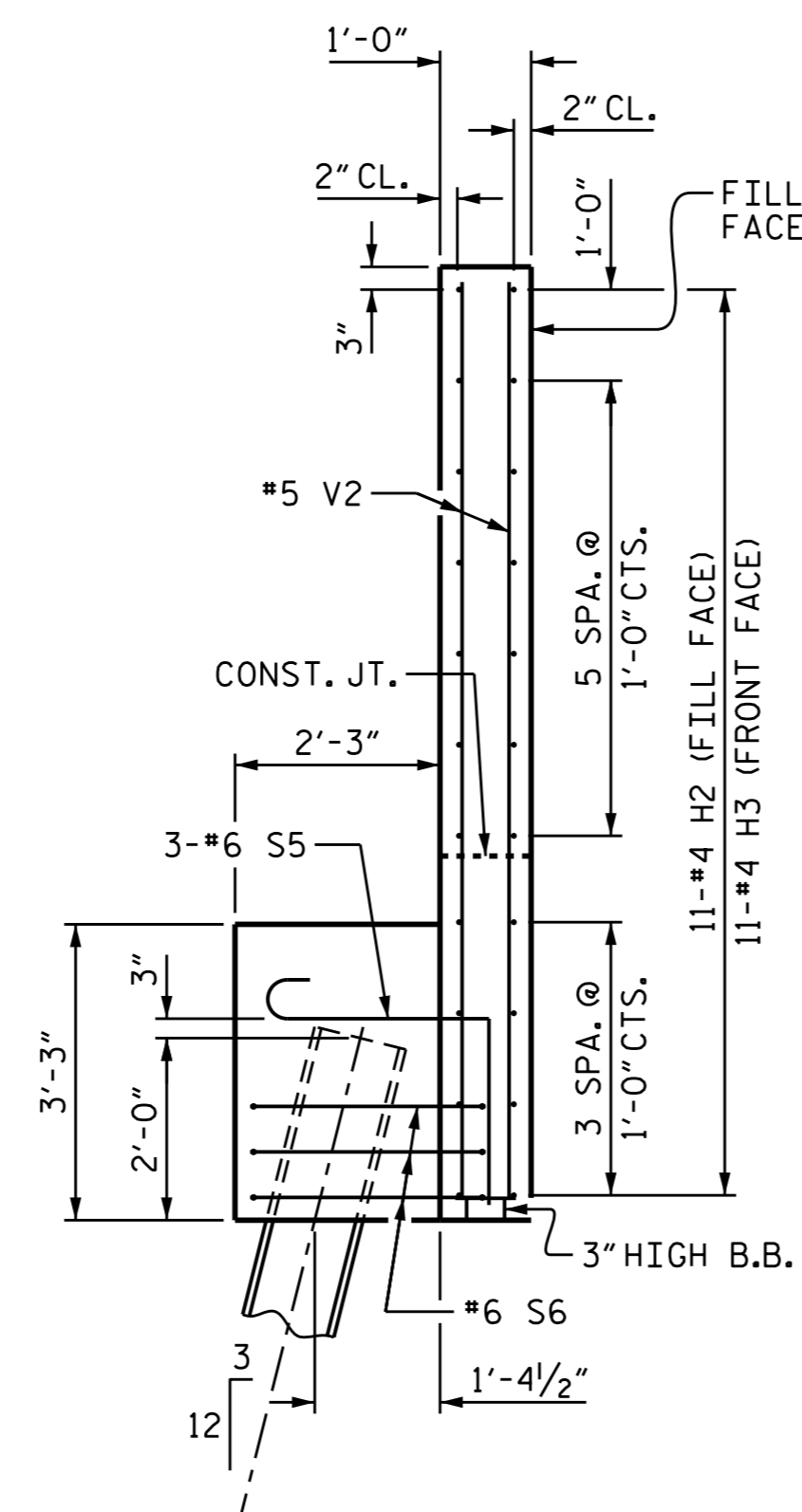
SECTION X-X



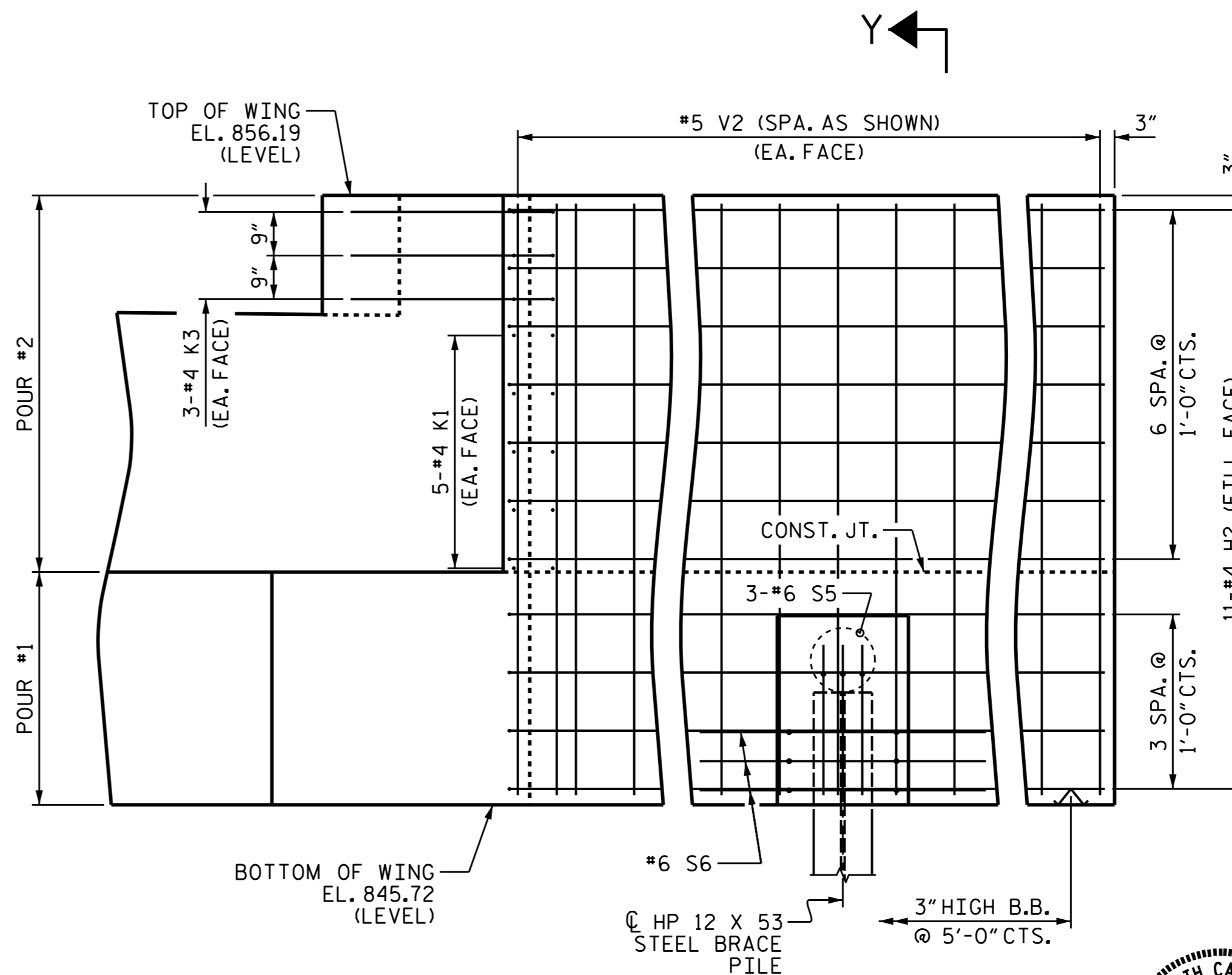
PLAN OF WING W2



ELEVATION OF WING W1



SECTION Y-Y



ELEVATION OF WING W2

PROJECT NO. U-2524D  
 GUILFORD COUNTY  
 STATION: 25+18.62 -Y6-

SHEET 2 OF 3

STATE OF NORTH CAROLINA  
 DEPARTMENT OF TRANSPORTATION  
 RALEIGH

SUBSTRUCTURE  
 END BENT 2



DRAWN BY: P. K. NEWTON DATE: 4/18/16  
 CHECKED BY: T. H. FANG DATE: 5/3/16  
 DESIGN ENGINEER OF RECORD: P. K. NEWTON DATE: 5/12/16

DocuSigned by:  
 Ting Fang  
 E720840097435  
 7/1/2016  
 DOCUMENT NOT CONSIDERED  
 FINAL UNLESS ALL  
 SIGNATURES COMPLETED

REVISIONS						SHEET NO.
NO.	BY:	DATE:	NO.	BY:	DATE:	S1-28
1			3			TOTAL SHEETS
2			4			33