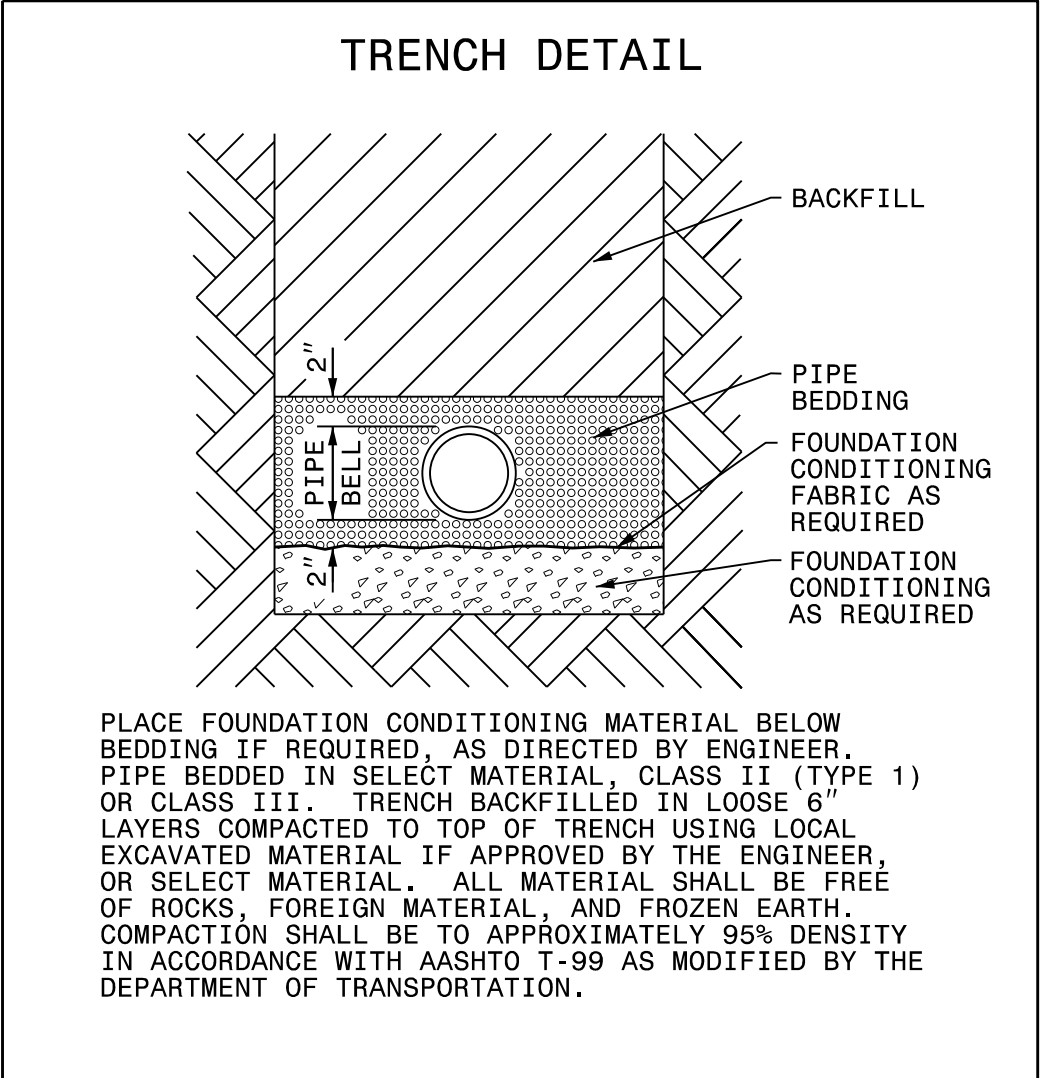
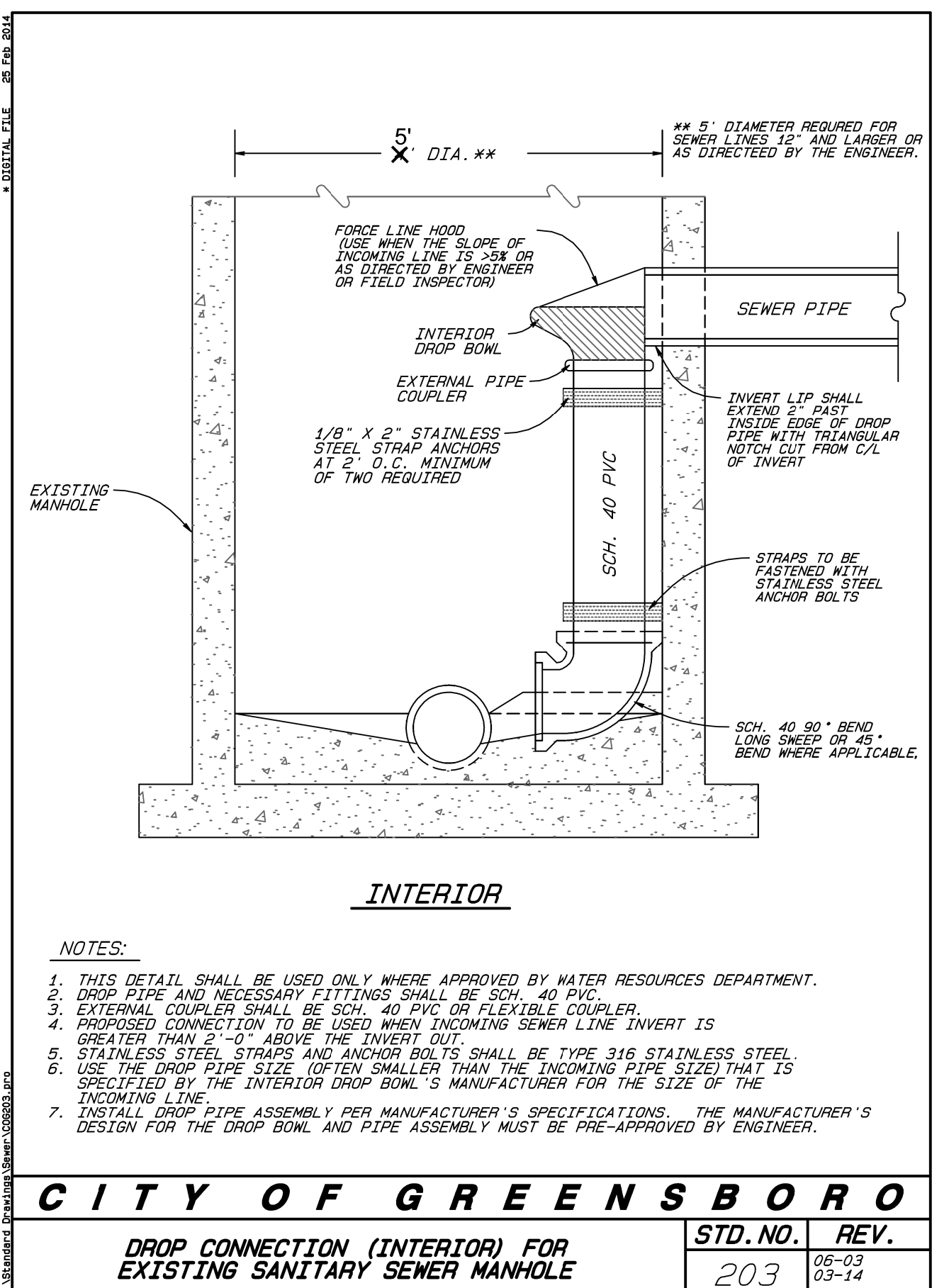
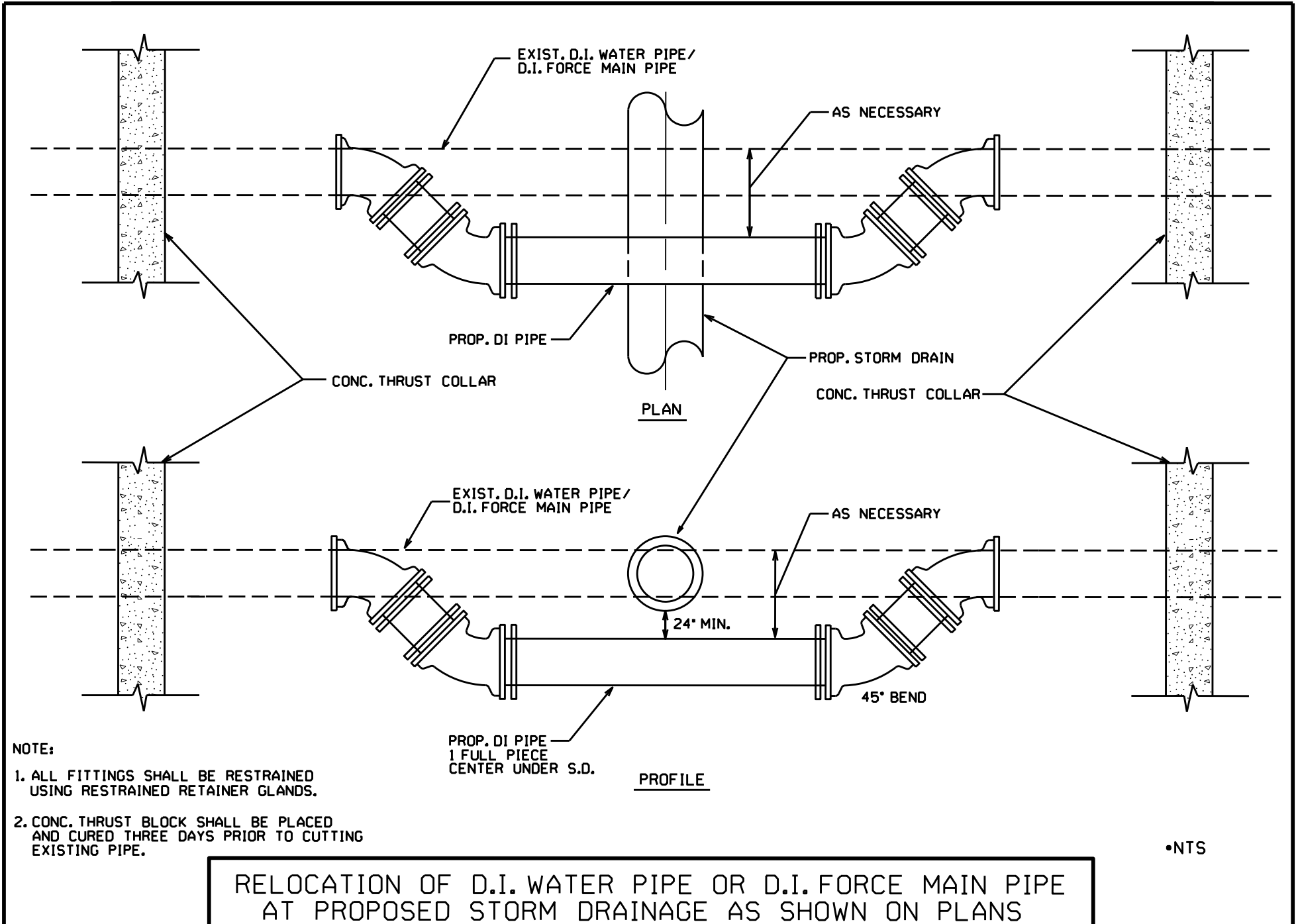
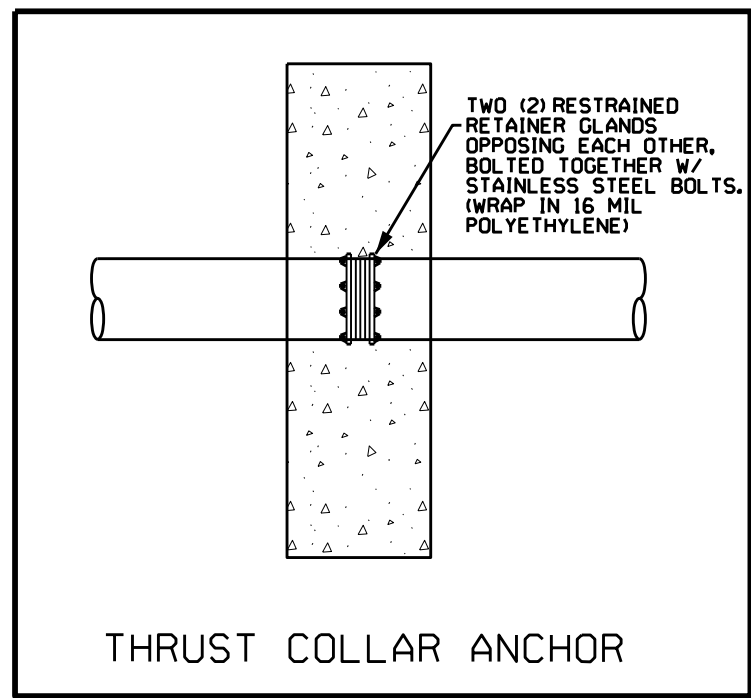
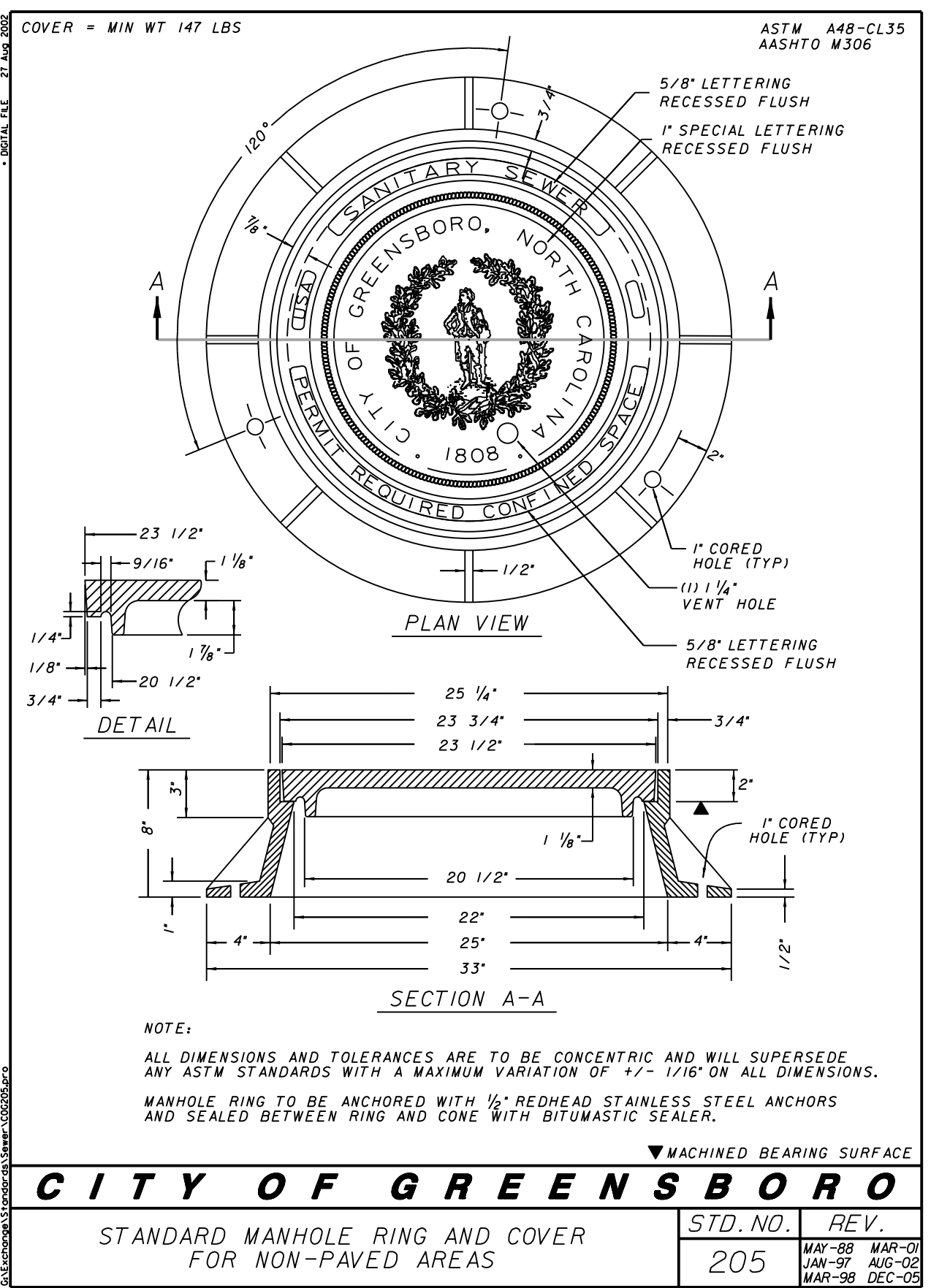
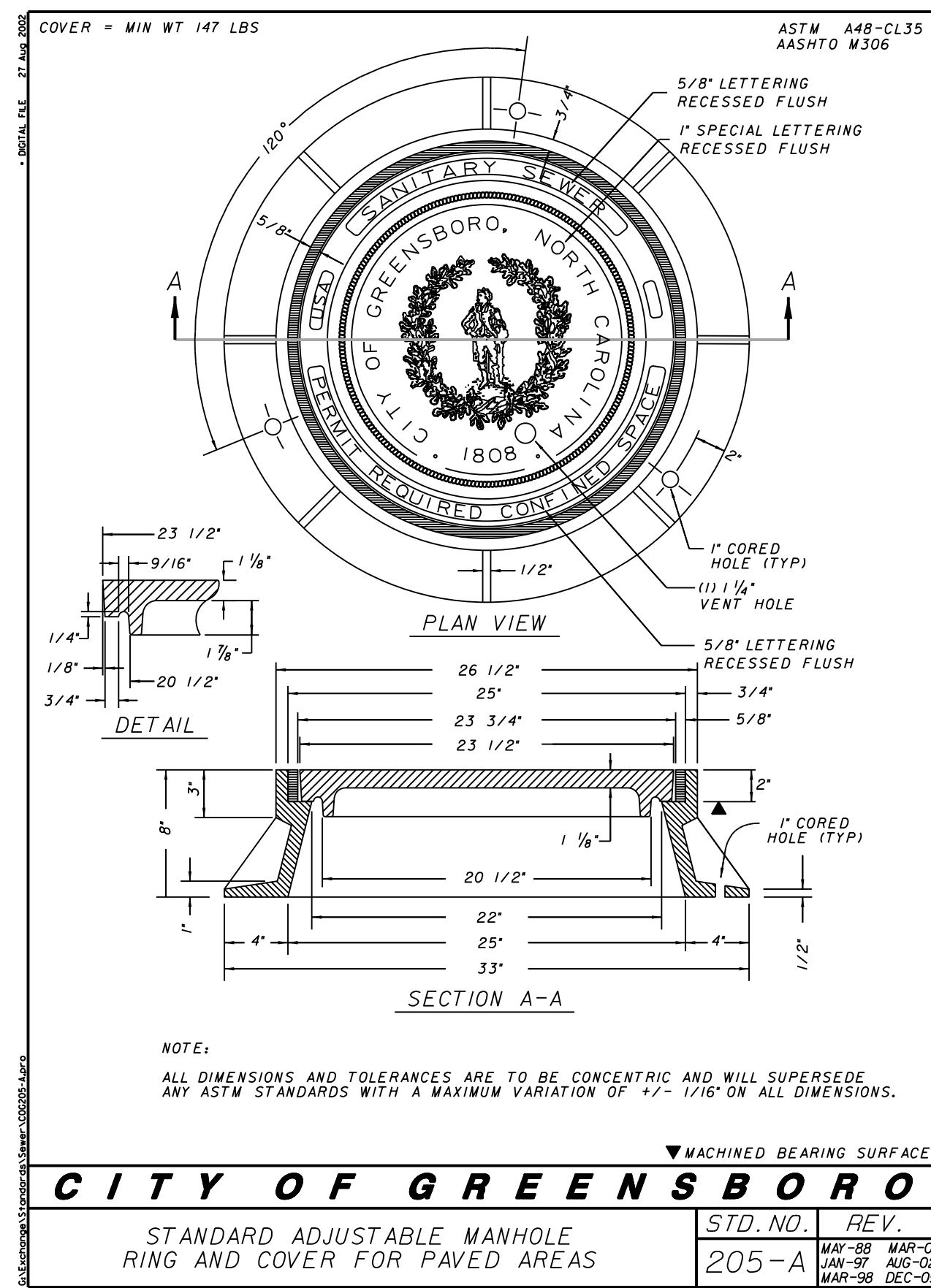


8-11-2016 - ALL SANITARY SEWER DROP MANHOLES SHALL BE 5' DIAMETER WITH INSIDE DROP ASSEMBLIES PER COG DETAIL 203.



NOMINAL PIPE SIZE (INCHES)	TRENCH WIDTH (INCHES)	NOMINAL PIPE SIZE (INCHES)	TRENCH WIDTH (INCHES)
4	28	20	44
6	30	24	54
8	32	30	60
10	34	36	66
12	36	42	72
14	38	48	78
16	40	54	
18	42		

PROJECT REFERENCE NO. U-2524D SHEET NO. UC-3A

DESIGNED BY: DMP
 DRAWN BY: DMP
 CHECKED BY: DMP
 APPROVED BY:
 REVISED:

NORTH CAROLINA DEPARTMENT OF TRANSPORTATION
 UTILITIES ENGINEERING SEC. PHONE: (919) 707-6690 FAX: (919) 250-4151

8/19/2016
 UTILITY CONSTRUCTION PLANS ONLY

UTILITY CONSTRUCTION
 DOCUMENT NOT CONSIDERED FINAL UNLESS ALL SIGNATURES COMPLETED

CITY OF GREENSBORO
 STANDARD ADJUSTABLE MANHOLE RING AND COVER FOR PAVED AREAS
 STD. NO. 205-A
 REV. MAR-08, MAR-01, JAN-07, AUG-02, MAR-98, DEC-05

CITY OF GREENSBORO
 STANDARD MANHOLE RING AND COVER FOR NON-PAVED AREAS
 STD. NO. 205
 REV. MAR-08, MAR-01, JAN-07, AUG-02, MAR-98, DEC-05

CITY OF GREENSBORO
 DROP CONNECTION (INTERIOR) FOR EXISTING SANITARY SEWER MANHOLE
 STD. NO. 203
 REV. 06-03, 03-14

COG STD. DETAIL 203 SHALL BE USED FOR ALL SANITARY SEWER DROP MANHOLES, WITH 2.5 FEET OR MORE OF VERTICAL DROP BETWEEN THE INLET SEWER PIPE AND THE OUTLET SEWER PIPE. ALL SANITARY SEWER DROP MANHOLES SHALL BE 5' DIAMETER WITH INSIDE DROP ASSEMBLIES. THE COST OF THE INSIDE DROP ASSEMBLIES SHALL BE INCIDENTAL TO THE COST OF THE MANHOLES.