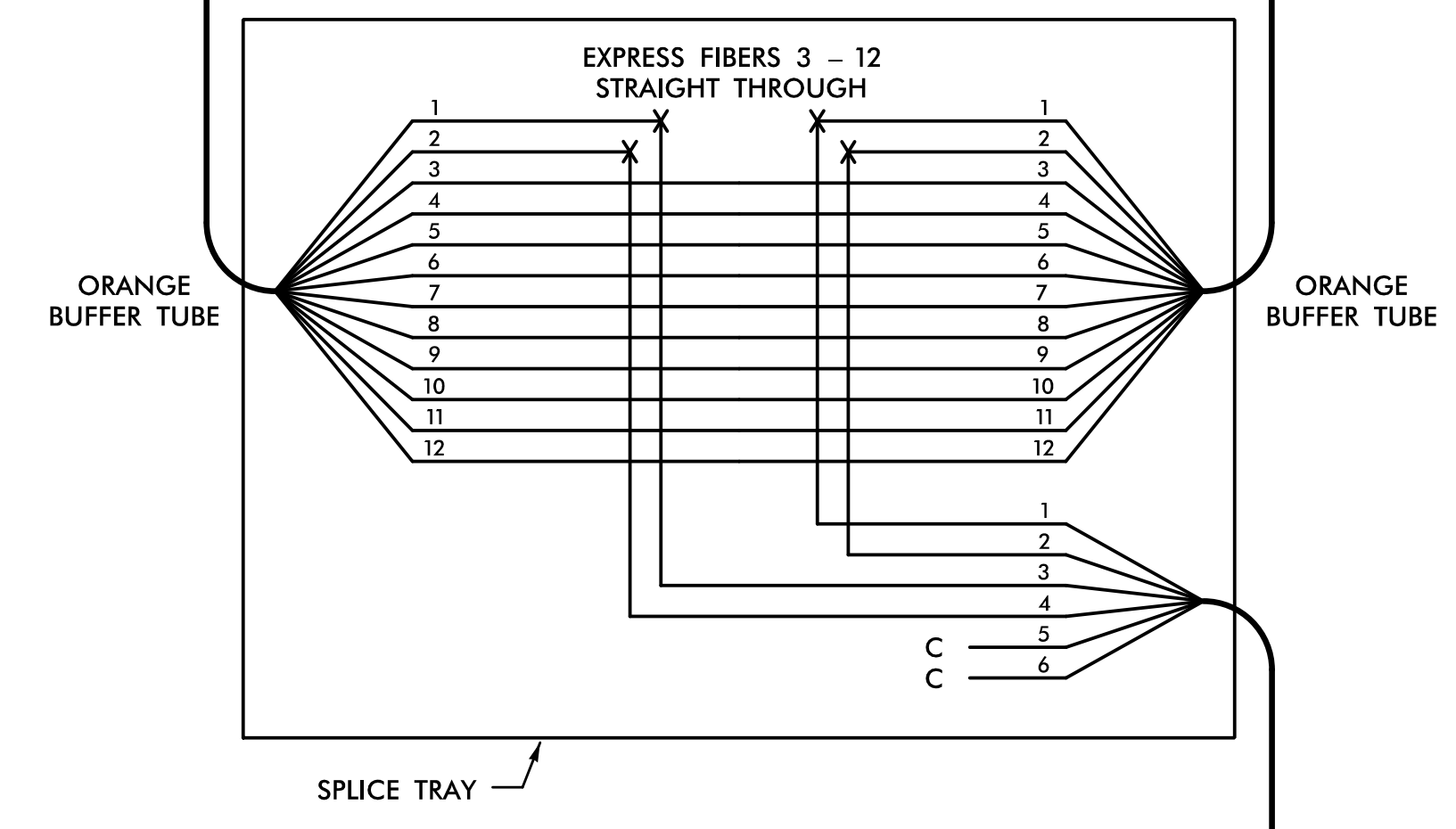
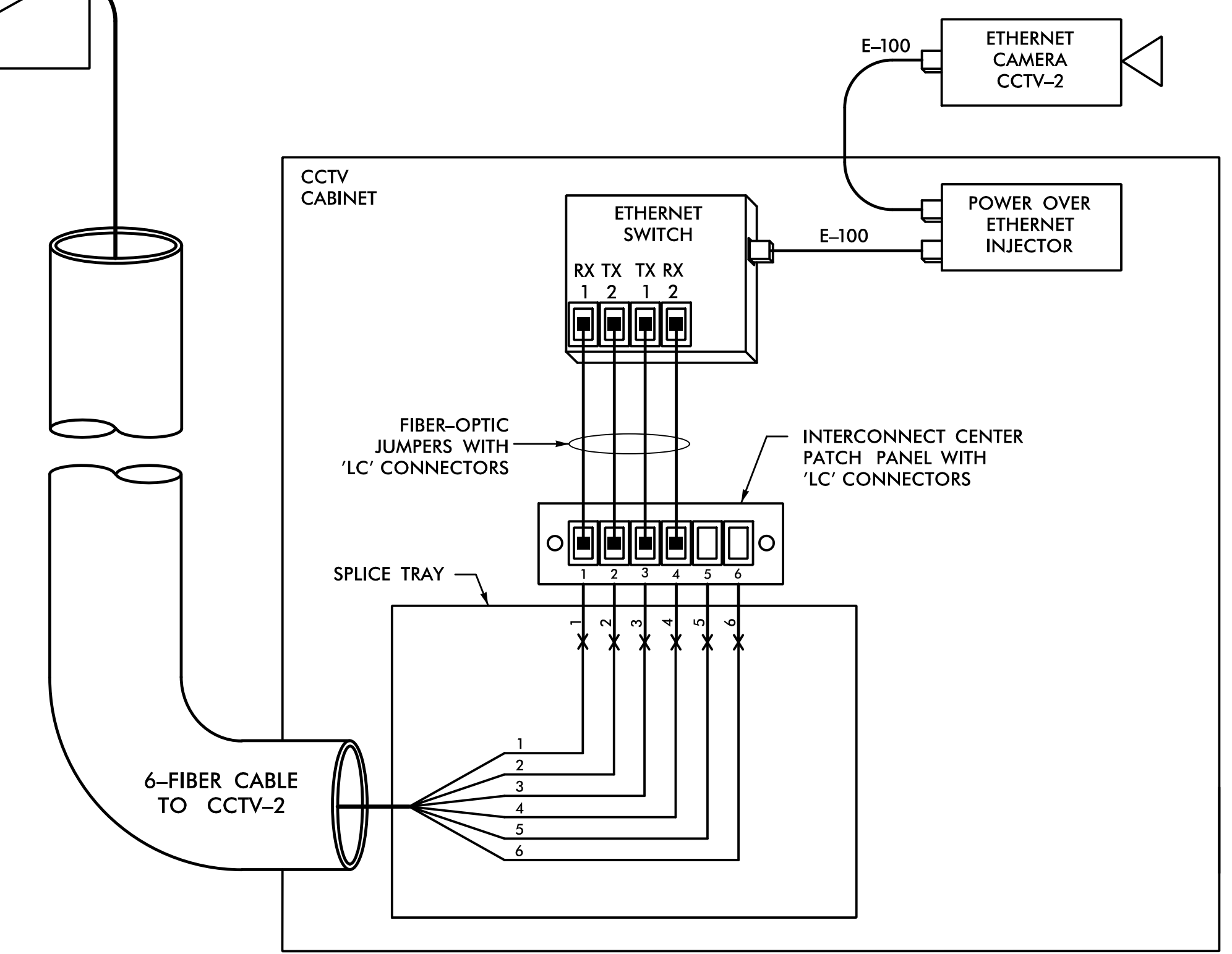


144 FIBERS IN 12 BUFFER TUBES

144 FIBERS IN 12 BUFFER TUBES



SPLICE TRAY



E-100

ETHERNET CAMERA CCTV-2

POWER OVER ETHERNET INJECTOR

ETHERNET SWITCH  
RX TX TX RX  
1 2 1 2

FIBER-OPTIC JUMPERS WITH 'LC' CONNECTORS

INTERCONNECT CENTER PATCH PANEL WITH 'LC' CONNECTORS

SPLICE TRAY

6-FIBER CABLE TO CCTV-2

**DOCUMENT NOT CONSIDERED FINAL UNLESS ALL SIGNATURES COMPLETED**

COLOR CODE TIA/EIA 598-C		LEGEND		
(1) BLUE	(7) RED	X = NEW FUSION SPLICE INDIVIDUAL FIBER	1. UNUSED FIBERS LEFT COILED AND STORED IN SPLICE TRAY.	
(2) ORANGE	(8) BLACK	• = EXISTING FUSION SPLICE		2. UNUSED BUFFER TUBES LEFT COILED AND STORED IN SPLICE ENCLOSURE.
(3) GREEN	(9) YELLOW	C = CAP AND SEAL		
(4) BROWN	(10) VIOLET	EXPRESS = EXPRESS ENTIRE BUFFER TUBE THROUGH WITHOUT CUTTING	3. ETHERNET SWITCH TERMINATION CONFIGURATIONS ARE GENERIC. CONTRACTOR IS RESPONSIBLE FOR DETERMINING/ENSURING PROPER TERMINATION.	
(5) SLATE	(11) ROSE	BUFFER SPLICE = SPLICE ALL FIBERS IN BUFFER TUBE COLOR TO COLOR		
(6) WHITE	(12) AQUA			

**NOTES**

- UNUSED FIBERS LEFT COILED AND STORED IN SPLICE TRAY.
- UNUSED BUFFER TUBES LEFT COILED AND STORED IN SPLICE ENCLOSURE.
- ETHERNET SWITCH TERMINATION CONFIGURATIONS ARE GENERIC. CONTRACTOR IS RESPONSIBLE FOR DETERMINING/ENSURING PROPER TERMINATION.

**HNTB** HNTB NORTH CAROLINA, P.C.  
343 E. Six Forks Road, Suite 200  
Raleigh, North Carolina 27609  
NC License No: C-1554

<p>Plans Prepared for:</p> <p>250 N. Greenfield Place, Garner, NC 27529</p>	<p><b>CCTV-2 FIBER-OPTIC SPLICE DETAIL</b></p>		<p>SEAL</p>					
	<p>DIVISION 7</p> <p>PLAN DATE: APRIL 2016</p> <p>PREPARED BY: T.R. TERRELL</p>	<p>GUILFORD CO.</p> <p>REVIEWED BY: A.D. KLINKSIEK</p> <p>REVIEWED BY: H.L. WINSTEAD</p>		<p>GREENSBORO</p> <p>REVISIONS</p> <table border="1"> <thead> <tr> <th>REVISIONS</th> <th>INIT.</th> <th>DATE</th> </tr> </thead> <tbody> <tr> <td> </td> <td> </td> <td> </td> </tr> </tbody> </table>	REVISIONS	INIT.	DATE	
REVISIONS	INIT.	DATE						

DocuSigned by: H.L. Winstead, Jr. 4/25/2016  
CADD File name: U2524D ITS-23.dgn