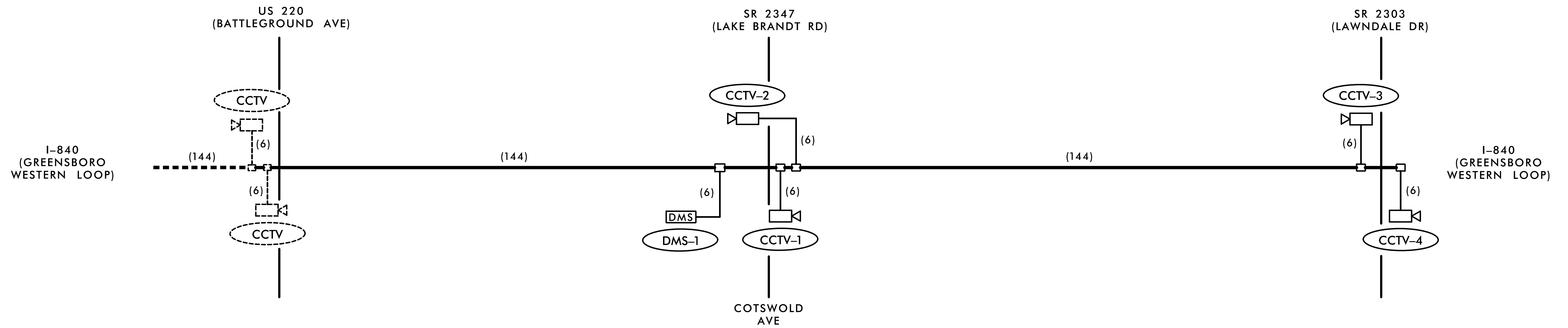


LEGEND

- PROPOSED DEVICE AND ID NUMBER
- EXISTING DEVICE
- XX-SINGLE MODE FIBERS
- EXISTING 144 FIBER OPTIC CABLE
- PROPOSED 144 FIBER OPTIC CABLE
- PROPOSED 6 FIBER OPTIC CABLE
- EXISTING 6 FIBER OPTIC CABLE
- PROPOSED SPLICE ENCLOSURE
- EXISTING SPLICE ENCLOSURE
- PROPOSED CCTV
- EXISTING CCTV
- PROPOSED DMS



**DOCUMENT NOT CONSIDERED FINAL
UNLESS ALL SIGNATURES COMPLETED**

HNTB HNTB NORTH CAROLINA, P.C.
343 E. Six Forks Road, Suite 200
Raleigh, North Carolina 27609
NC License No: C-1554

 Plans Prepared for: Department of Transportation 250 N. Greenfield Place, Garner, NC 27529	SCHEMATIC DIAGRAM		 SEAL NORTH CAROLINA PROFESSIONAL ENGINEER H.L. WINSTEAD, JR. No. 07983
	DIVISION 7 GUILFORD CO. GREENSBORO PLAN DATE: APRIL 2016 REVIEWED BY: A.D. KLINKSIEK PREPARED BY: T.R. TERRELL REVIEWED BY: H.L. WINSTEAD	Documented by: H.L. Winstead, Jr. 4/25/2016 ES318208147474 SIGNATURE DATE CADD File name: U2524D ITS-10.dgn	