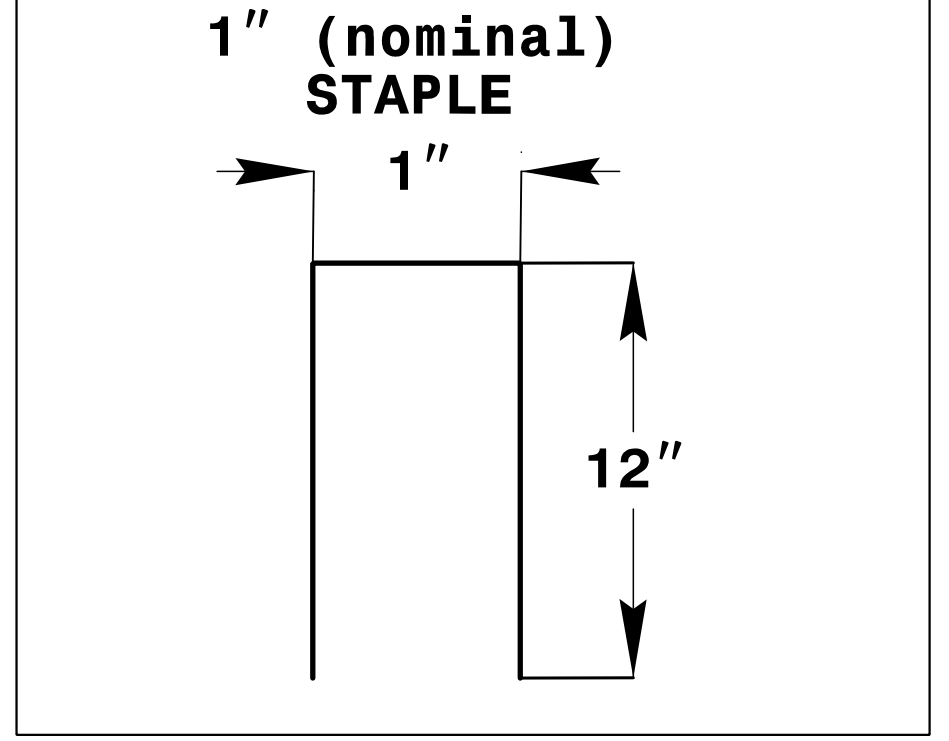
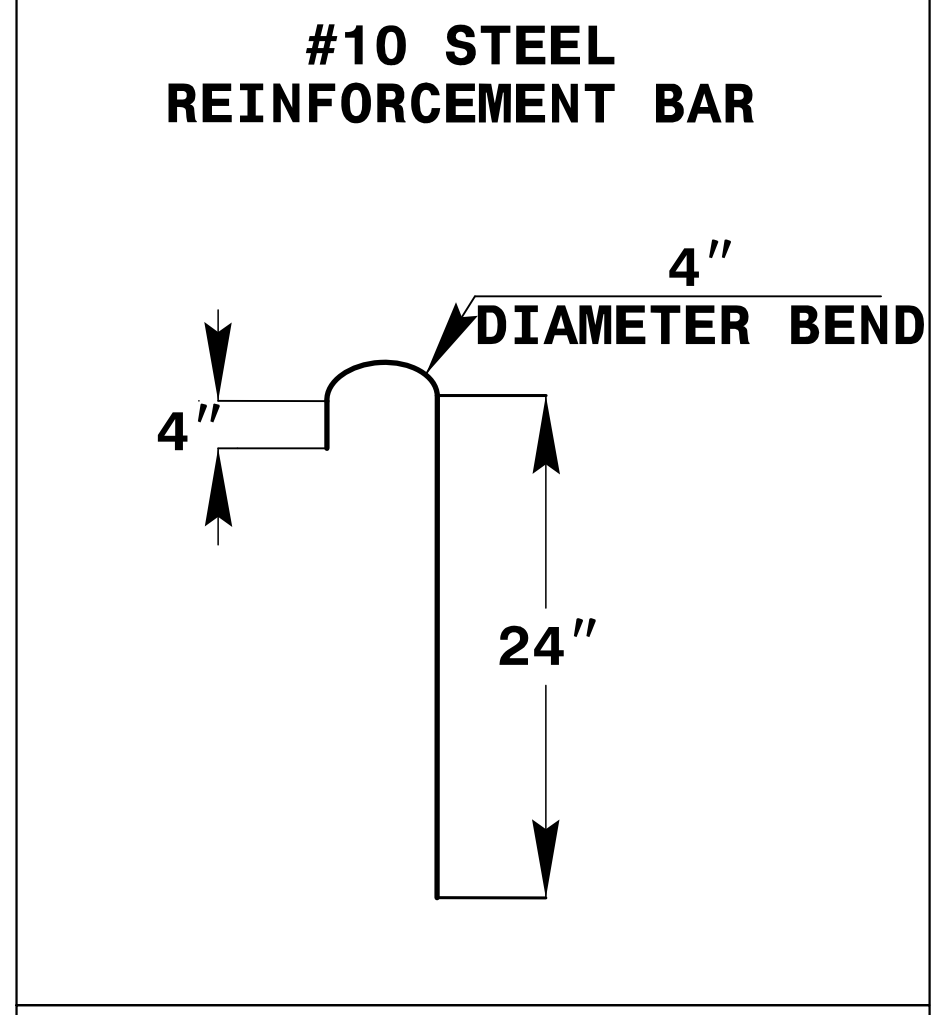
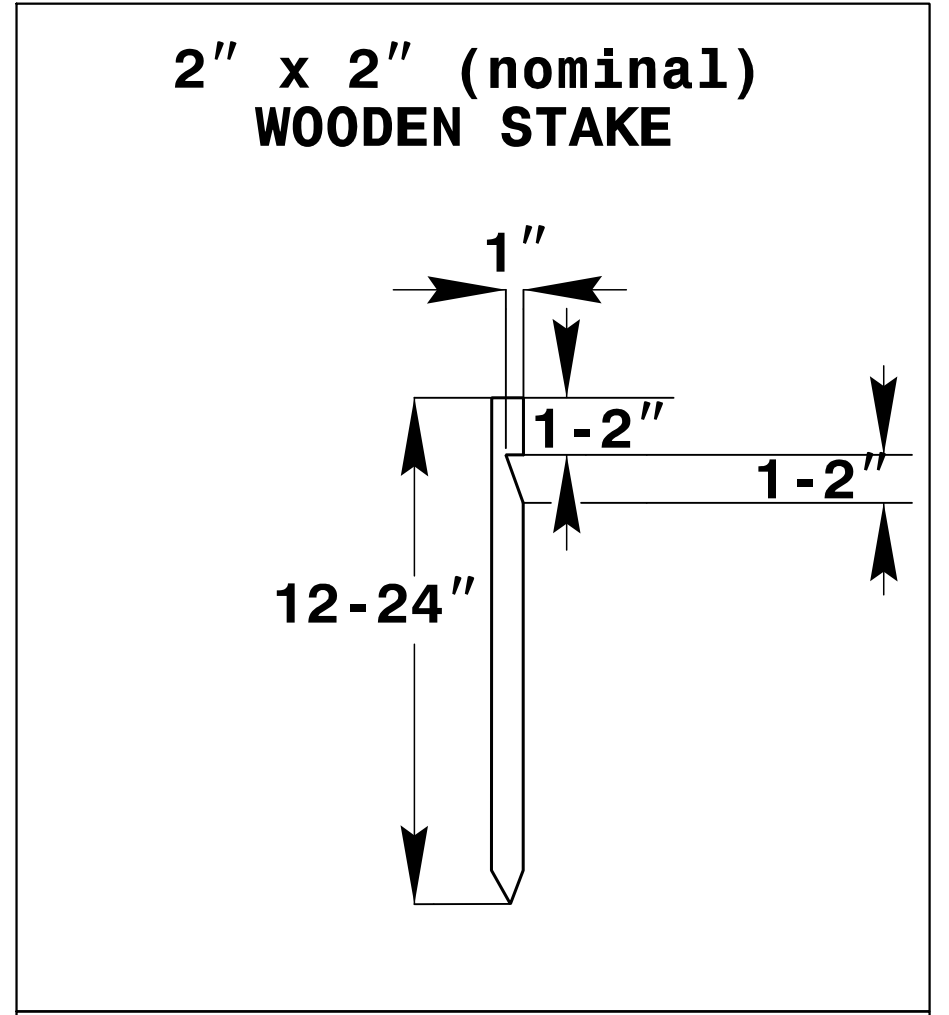
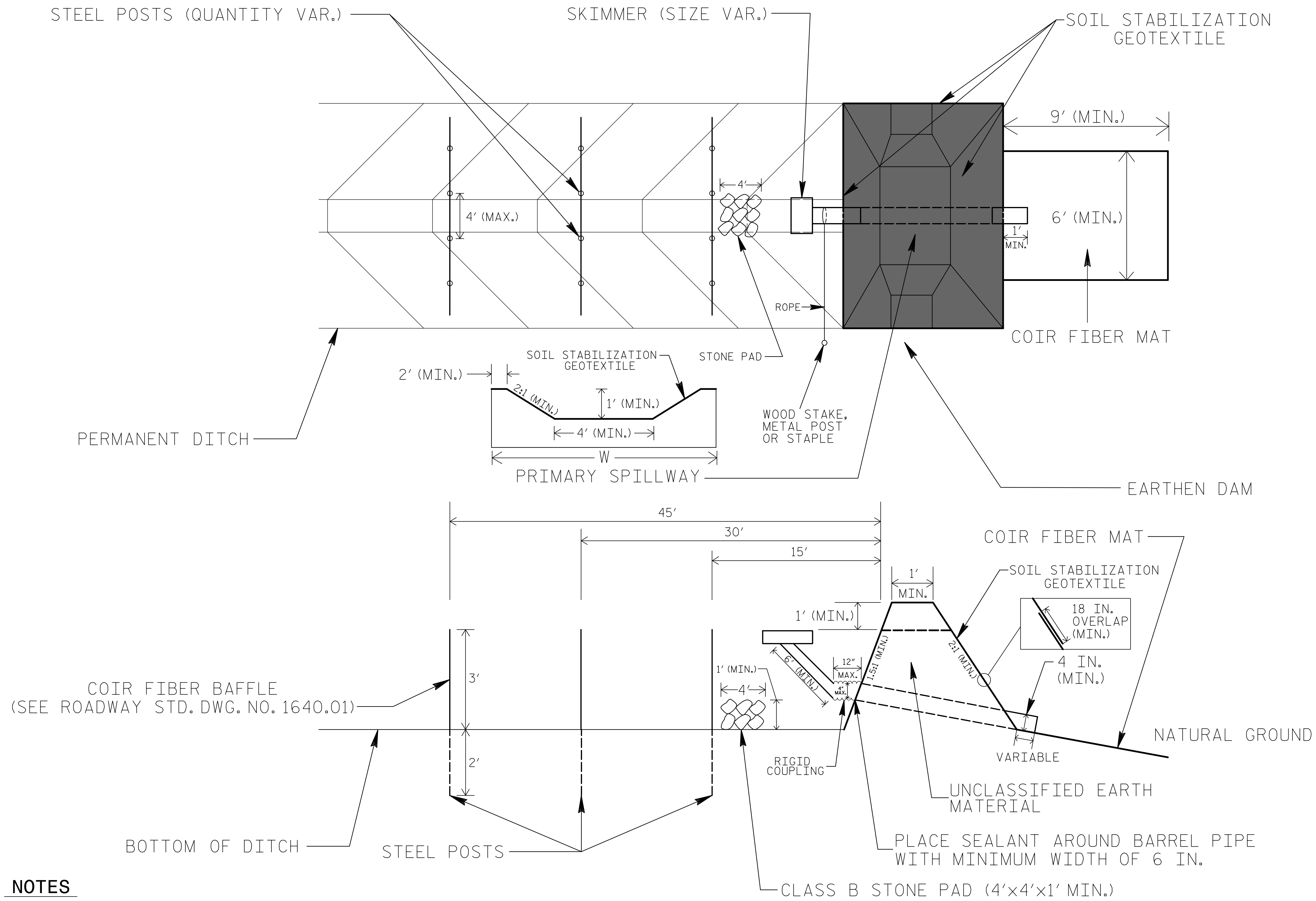


PROJECT REFERENCE NO. U-2524D	SHEET NO. EC-2E
RW SHEET NO.	
ROADWAY DESIGN ENGINEER	HYDRAULICS ENGINEER

EARTHEN DAM WITH SKIMMER



COIR FIBER MAT ANCHOR OPTIONS

- NOTES**
1. LIMIT EARTHEN DAM HEIGHT TO 5 FT.
 2. DETERMINE PRIMARY SPILLWAY LENGTH (FT.) USING $Q/0.8$, WHERE Q IS FLOW RATE (CFS) INTO BASIN.
 3. SOIL STABILIZATION GEOTEXTILE FOR PRIMARY SPILLWAY SHALL BE ONE CONTINUOUS PIECE OF MATERIAL OR OVERLAPPED 18 IN. (MIN.).

NOT TO SCALE