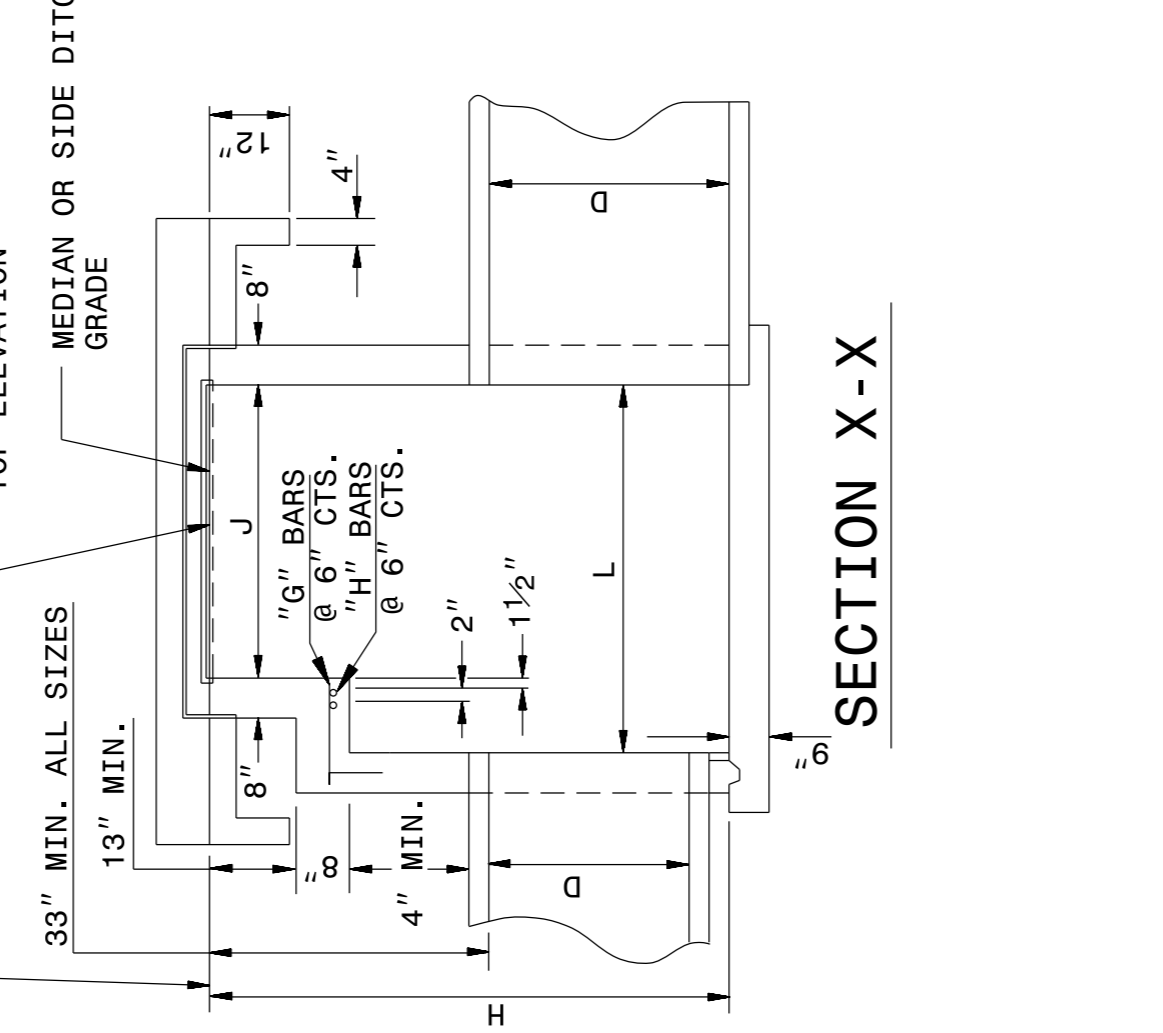
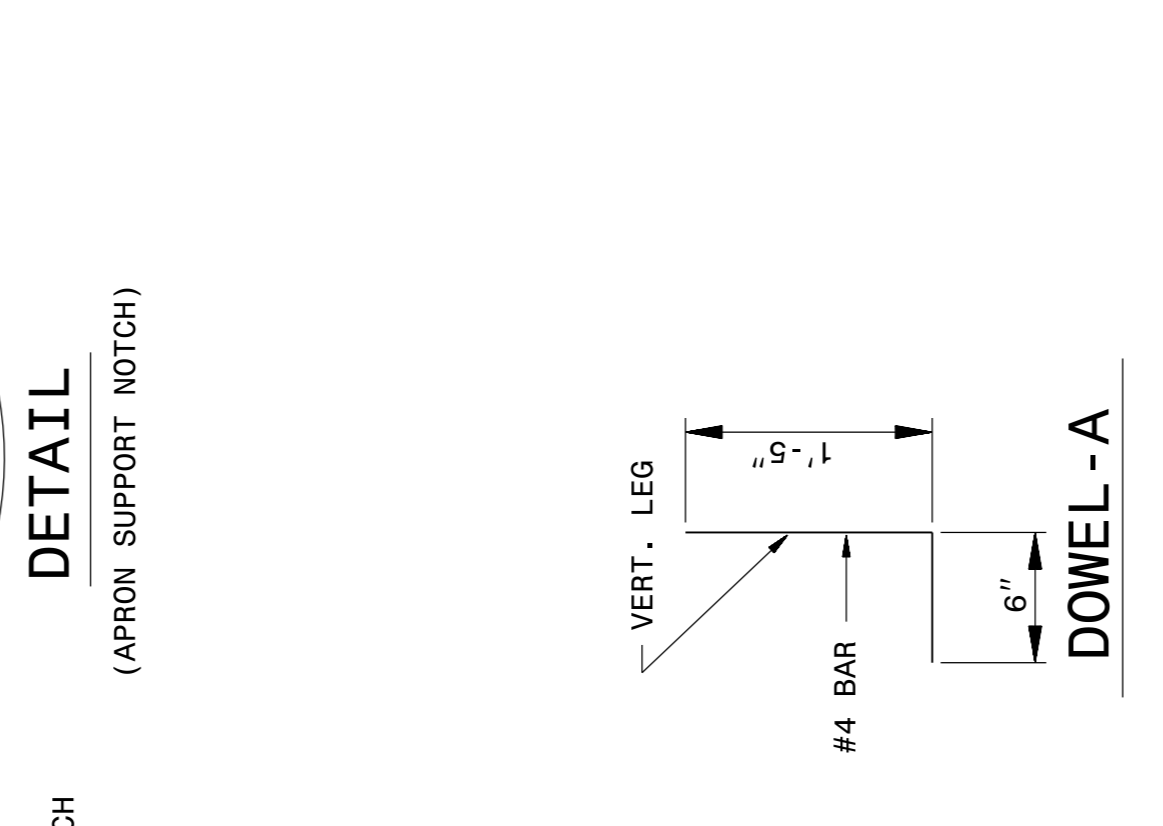
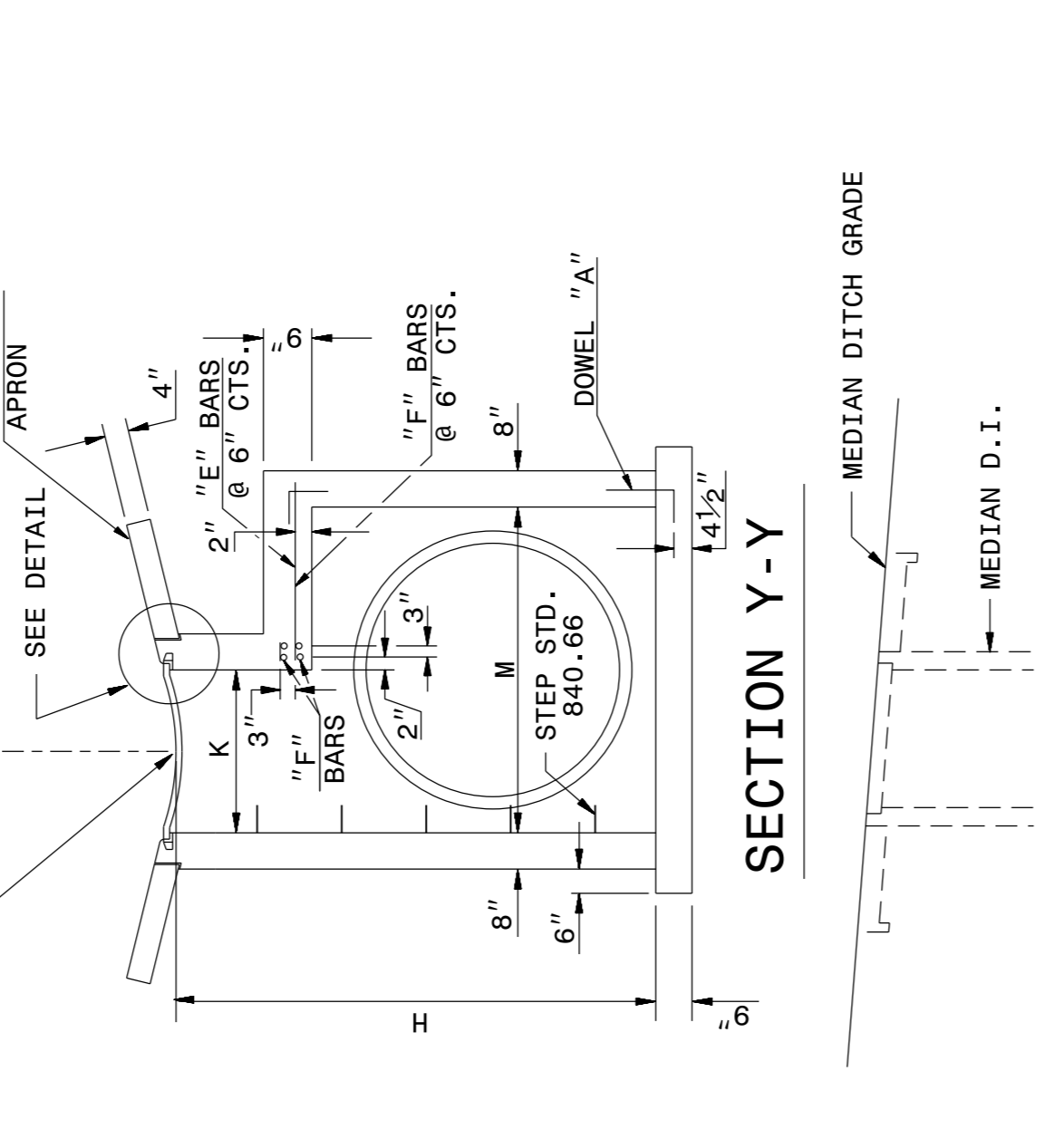
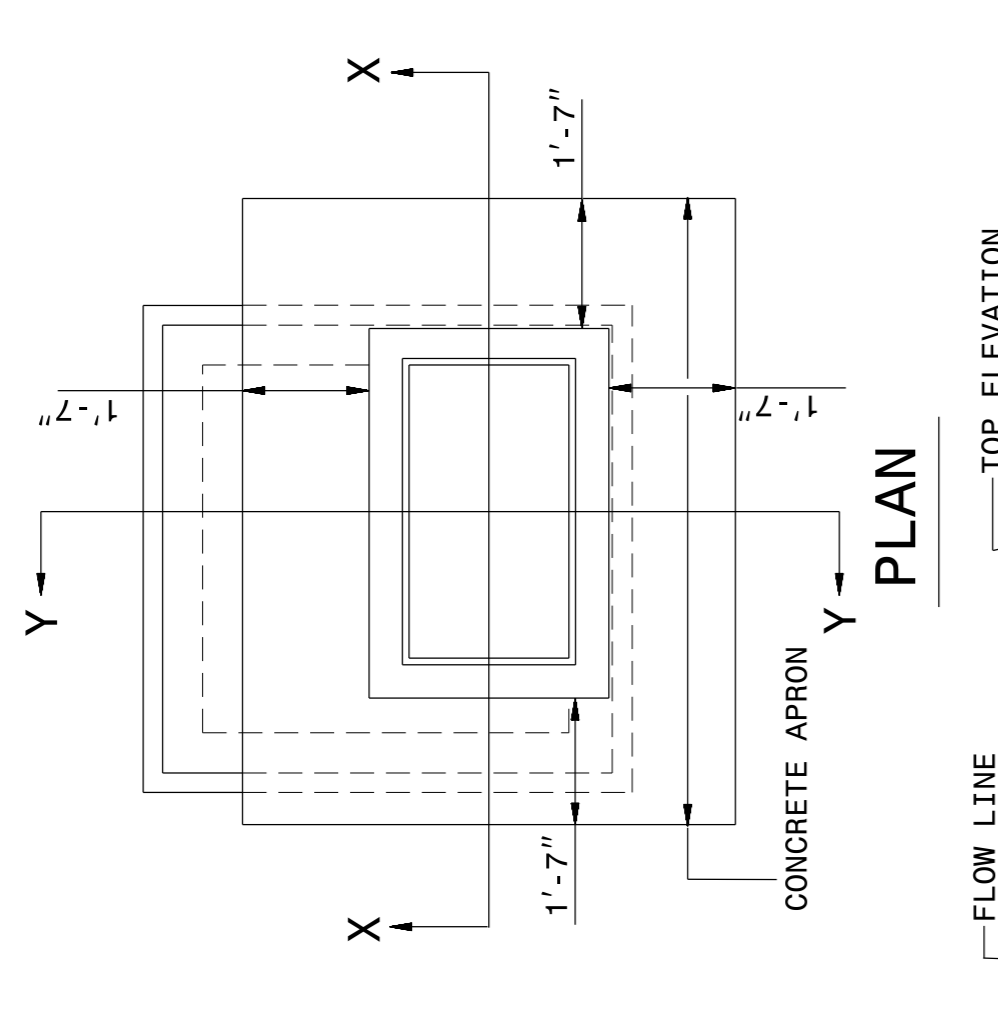
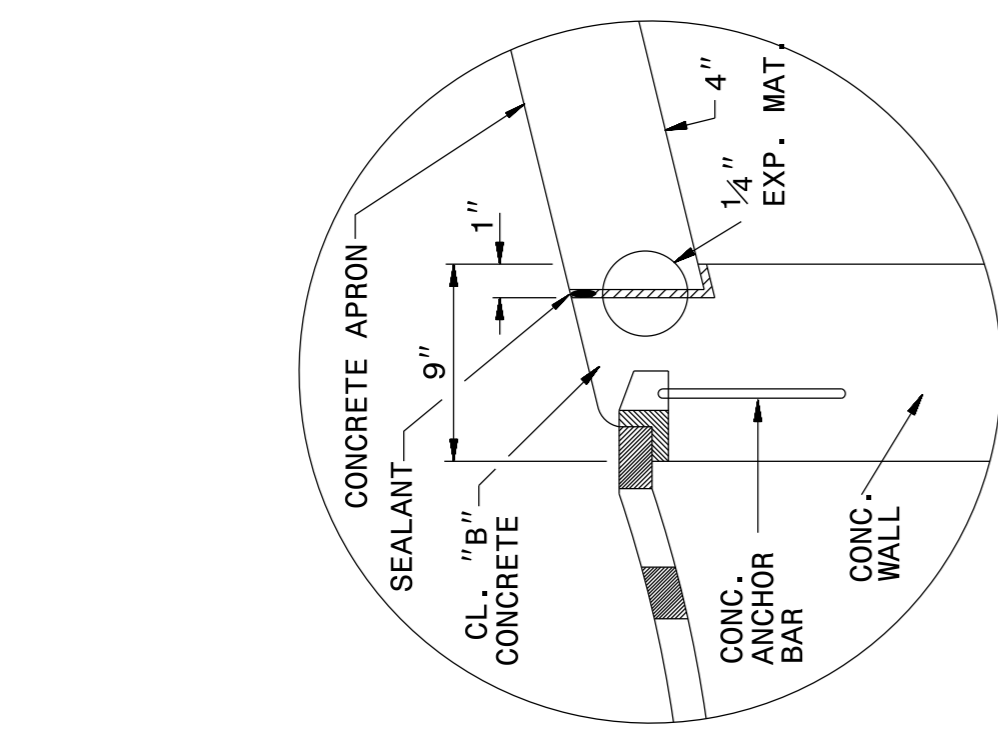


STATE OF NORTH CAROLINA  
DEPT. OF TRANSPORTATION  
DIVISION OF HIGHWAYS  
RALEIGH, N.C.

ENGLISH DETAIL DRAWING FOR  
**CONCRETE MEDIAN DROP INLET TYPE 'A'**  
EXTRA DEPTH OVER 12' TO 25'  
12" THRU 72" PIPE

SHEET 1 OF 2  
**840D17**

**GENERAL NOTES:**  
USE CLASS "B" CONCRETE THROUGHOUT.  
PROVIDE DROP INLETS WITH STEPS 12" ON CENTER. USE STEPS WHICH COMPLY WITH STD. DRAWING 840.66.  
OPTIONAL CONSTRUCTION - MONOLITHIC POUR. 2" KEYWAY, OR #4 BAR DOWELS AT 12" CENTERS AS DIRECTED BY THE ENGINEER.  
USE FORMS FOR THE CONSTRUCTION OF THE BOTTOM SLAB.  
IF REINFORCED CONCRETE PIPE IS SET IN BOTTOM SLAB OF BOX, ADD TO SLAB AS SHOWN ON STD. NO. 840.00.  
WHEN PAYMENT FOR THE DROP INLET IS MADE ON A PER EACH BASIS, THE CONCRETE APRON WILL BE CONSIDERED PART OF THE DROP INLET.  
CONSTRUCT WITH PIPE CROWNS MATCHING.  
USE STANDARD FRAMES AND GRATES 840.22 (SHOWN), 840.24 (SHOWN), 840.20, 840.29, AND 840.33.  
SEE STANDARD DRAWING 840.25 FOR ATTACHMENT OF FRAMES AND GRATES NOT SHOWN.  
CHAMFER ALL EXPOSED CORNERS 1".  
DRAWING NOT TO SCALE.  
MAX. DEPTH OF THIS STRUCTURE FROM TOP OF BOTTOM SLAB TO TOP ELEVATION IS 25 FEET.



STATE OF NORTH CAROLINA  
DEPT. OF TRANSPORTATION  
DIVISION OF HIGHWAYS  
RALEIGH, N.C.

ENGLISH DETAIL DRAWING FOR  
**CONCRETE MEDIAN DROP INLET TYPE 'A'**  
EXTRA DEPTH OVER 12' TO 25'  
12" THRU 72" PIPE

SHEET 1 OF 2  
**840D17**

STATE OF NORTH CAROLINA  
DEPT. OF TRANSPORTATION  
DIVISION OF HIGHWAYS  
RALEIGH, N.C.

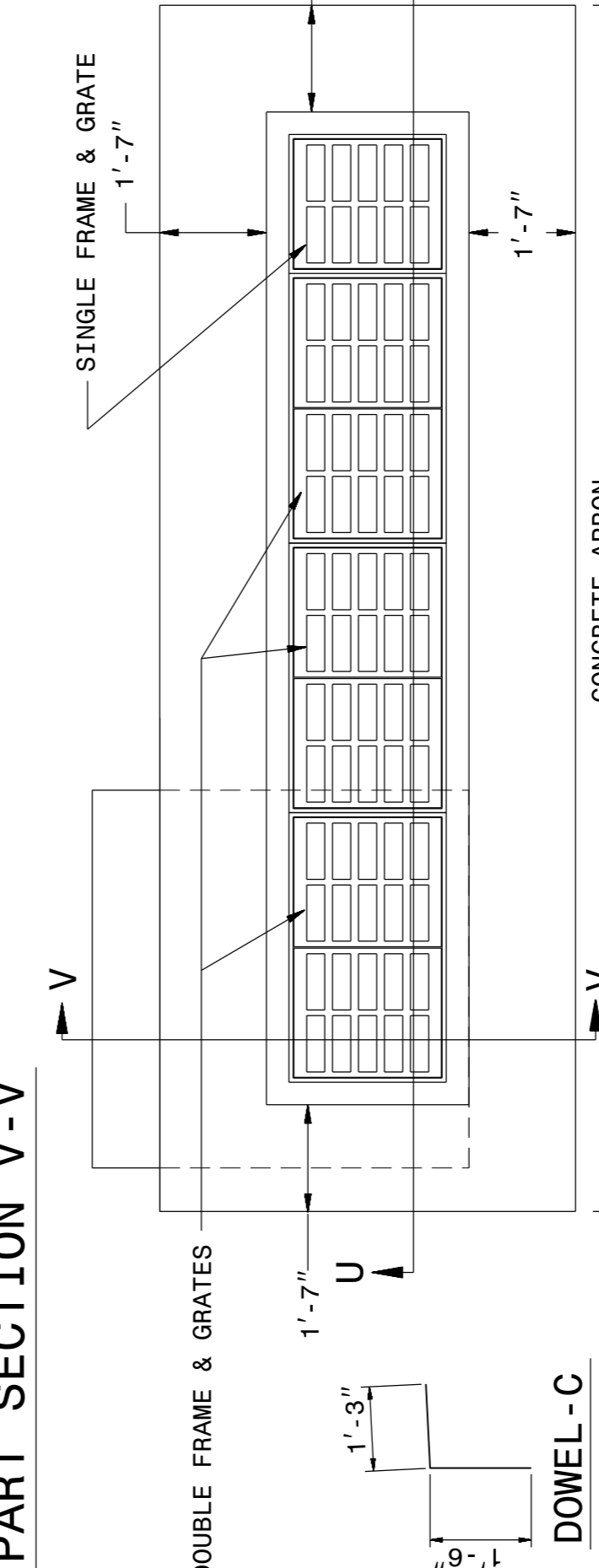
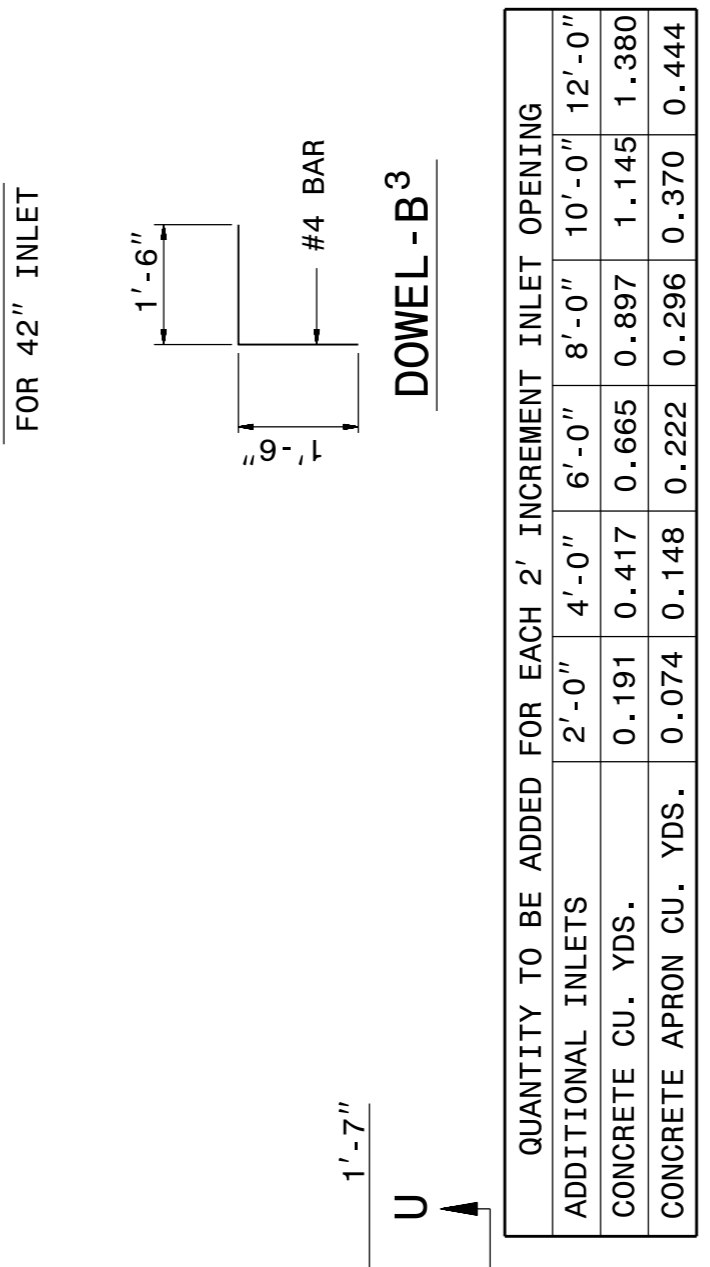
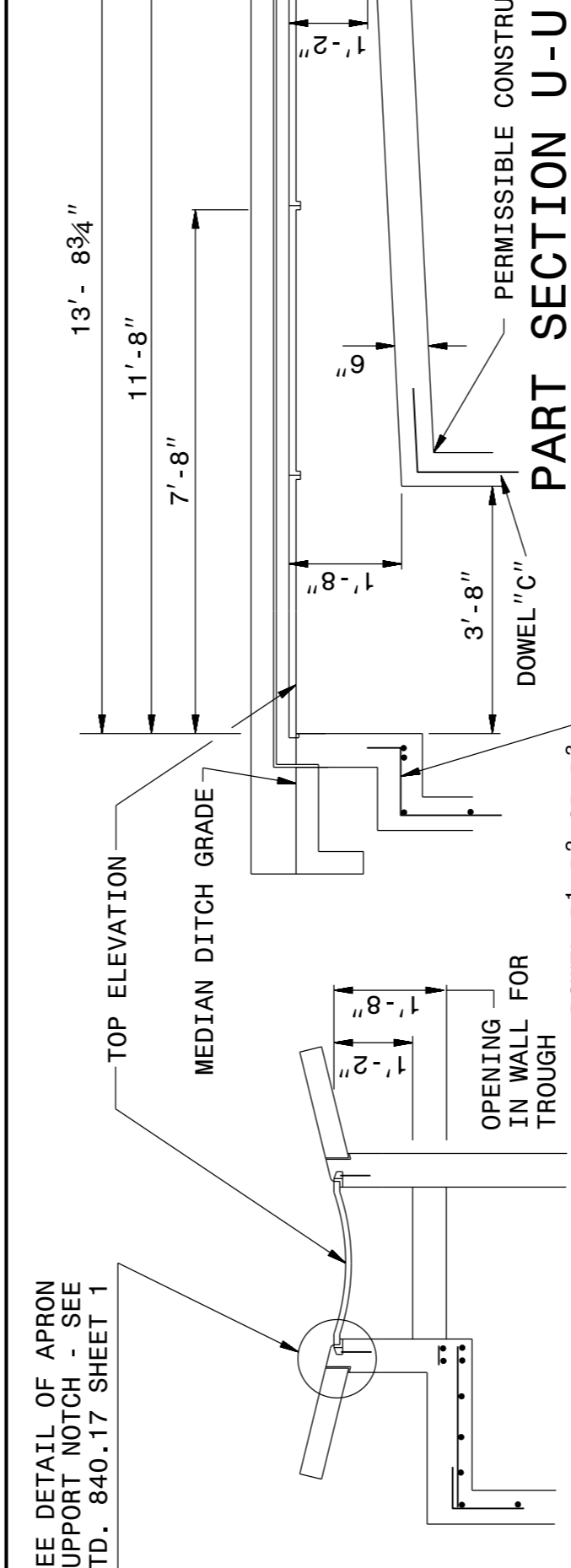
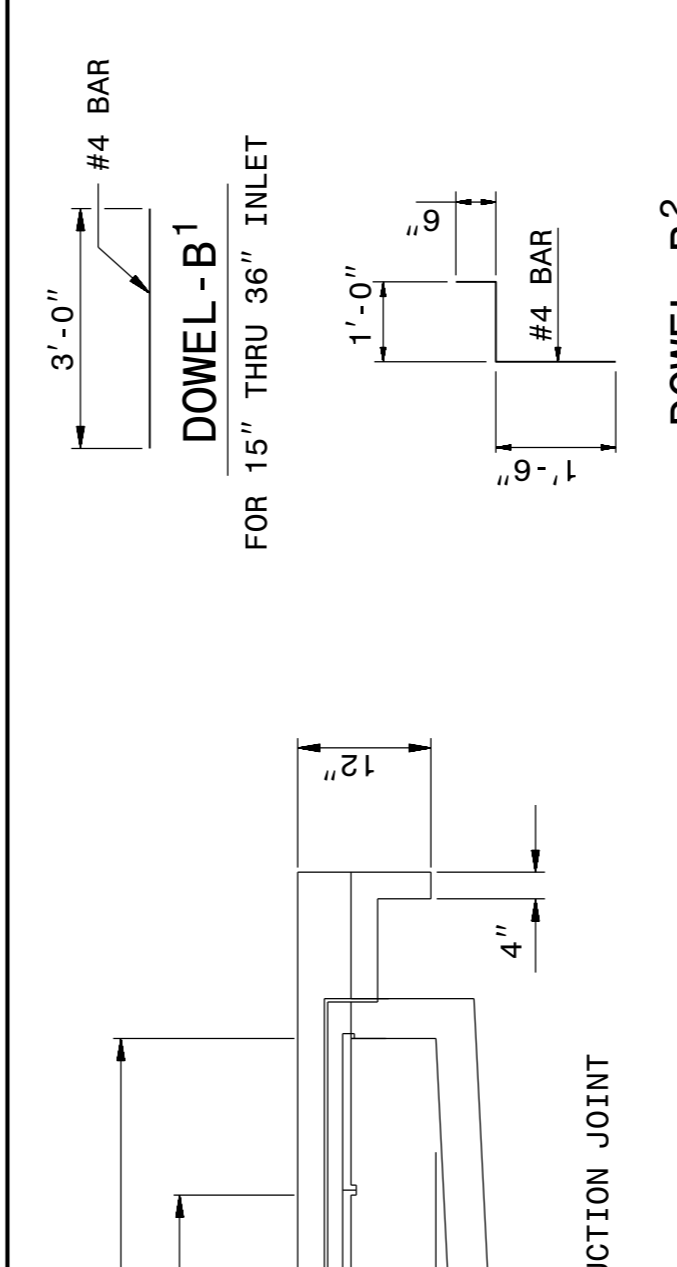
ENGLISH DETAIL DRAWING FOR  
**CONCRETE MEDIAN DROP INLET TYPE 'A'**  
EXTRA DEPTH OVER 12' TO 25'  
12" THRU 72" PIPE

SHEET 2 OF 2  
**840D17**

STATE OF NORTH CAROLINA  
DEPT. OF TRANSPORTATION  
DIVISION OF HIGHWAYS  
RALEIGH, N.C.

ENGLISH DETAIL DRAWING FOR  
**CONCRETE MEDIAN DROP INLET TYPE 'A'**  
EXTRA DEPTH OVER 12' TO 25'  
12" THRU 72" PIPE

SHEET 2 OF 2  
**840D17**



STATE OF NORTH CAROLINA  
DEPT. OF TRANSPORTATION  
DIVISION OF HIGHWAYS  
RALEIGH, N.C.

ENGLISH DETAIL DRAWING FOR  
**CONCRETE MEDIAN DROP INLET TYPE 'A'**  
EXTRA DEPTH OVER 12' TO 25'  
12" THRU 72" PIPE

SHEET 2 OF 2  
**840D17**

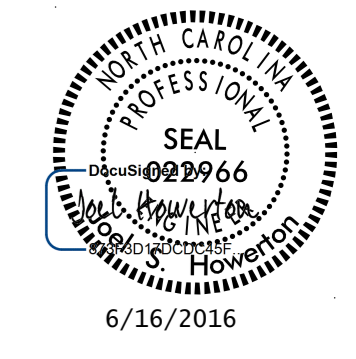
STATE OF NORTH CAROLINA  
DEPT. OF TRANSPORTATION  
DIVISION OF HIGHWAYS  
RALEIGH, N.C.

ENGLISH DETAIL DRAWING FOR  
**CONCRETE MEDIAN DROP INLET TYPE 'A'**  
EXTRA DEPTH OVER 12' TO 25'  
12" THRU 72" PIPE

SHEET 2 OF 2  
**840D17**

QUANTITY TO BE ADDED FOR EACH 2' INCREMENT INLET OPENING	2'-0"	4'-0"	6'-0"	8'-0"	10'-0"	12'-0"
ADDITIONAL INLETS	0.191	0.417	0.665	0.897	1.145	1.380
CONCRETE CU. YDS.	0.074	0.148	0.222	0.296	0.370	0.444

DIMENSIONS OF BOX AND PIPE	REINFORCING STEEL - NO. 4 BARS										CU YDS CONC. IN BOX		DEDUCTIONS FOR ONE PIPE								
	PIPE SPAN		WIDTH		HEIGHT		BARS E		BARS F		BARS G		BARS H		TOTAL						
	D	J	K	L	M	H	NO.	LENGTH	NO.	LENGTH	NO.	LENGTH	NO.	LENGTH	FT	HT					
12"	3'-8"	2'-0"	3'-8"	2'-0"	3'-9"	3'-9"	—	—	—	—	—	—	—	—	0.362	0.926	0.247	0.395	1.683	0.015	0.024
15"	3'-8"	2'-0"	3'-8"	2'-0"	4'-0"	4'-0"	—	—	—	—	—	—	—	—	0.362	0.988	0.247	0.395	1.745	0.023	0.036
18"	—	—	—	—	—	4'-3"	—	—	—	—	—	—	—	—	0.362	1.050	0.247	0.395	1.807	0.033	0.049
24"	—	—	—	—	—	4'-9"	8	1'-5"	6	4'-9"	—	—	—	—	0.444	1.362	0.278	0.395	2.201	0.059	0.085
30"	—	—	—	—	—	5'-3"	8	2'-0"	7	4'-9"	—	—	—	—	0.502	1.644	0.288	0.395	2.541	0.092	0.127
36"	—	—	—	—	—	5'-9"	8	2'-5"	8	4'-11"	4	0'-9"	2	4'-11"	0.560	1.931	0.321	0.395	2.920	0.132	0.178
42"	—	—	—	—	—	6'-3"	10	3'-1"	9	5'-7"	4	1'-5"	3	5'-7"	0.704	2.500	0.370	0.395	3.677	0.180	0.243
48"	—	—	—	—	—	6'-9"	11	3'-7"	10	6'-1"	4	1'-11"	4	6'-1"	0.823	3.013	0.407	0.395	4.315	0.235	0.317
54"	—	—	—	—	—	7'-3"	12	4'-1"	11	6'-7"	5	2'-5"	5	6'-7"	0.951	3.589	0.444	0.395	5.072	0.287	0.401
60"	—	—	—	—	—	7'-9"	13	4'-9"	12	7'-3"	6	7'-3"	6	7'-3"	1.311	4.539	0.494	0.395	6.170	0.367	0.495
66"	—	—	—	—	—	8'-3"	14	5'-4"	14	7'-10"	7	3'-7"	7	7'-10"	1.136	5.061	0.537	0.395	6.901	0.444	0.599
72"	—	—	—	—	—	8'-9"	15	5'-11"	15	8'-5"	4	4'-3"	8	8'-5"	1.500	5.860	0.580	0.395	7.868	0.528	0.713



CONTRACT STANDARDS AND DEVELOPMENT UNIT  
Office 919-707-6950 FAX 919-250-4119

**SEE PLATE FOR TITLE**

ORIGINAL BY: 2002 STD.840.1 DATE: \_\_\_\_\_  
 MODIFIED BY: K.A. KEMPF DATE: 07-06-09  
 CHECKED BY: \_\_\_\_\_ DATE: \_\_\_\_\_  
 FILE SPEC.: /usr/details/stand/840d17.dgn