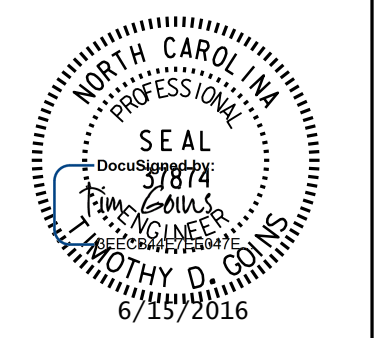
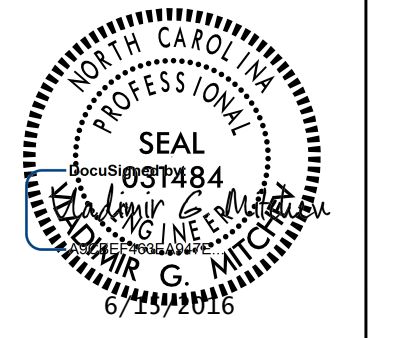
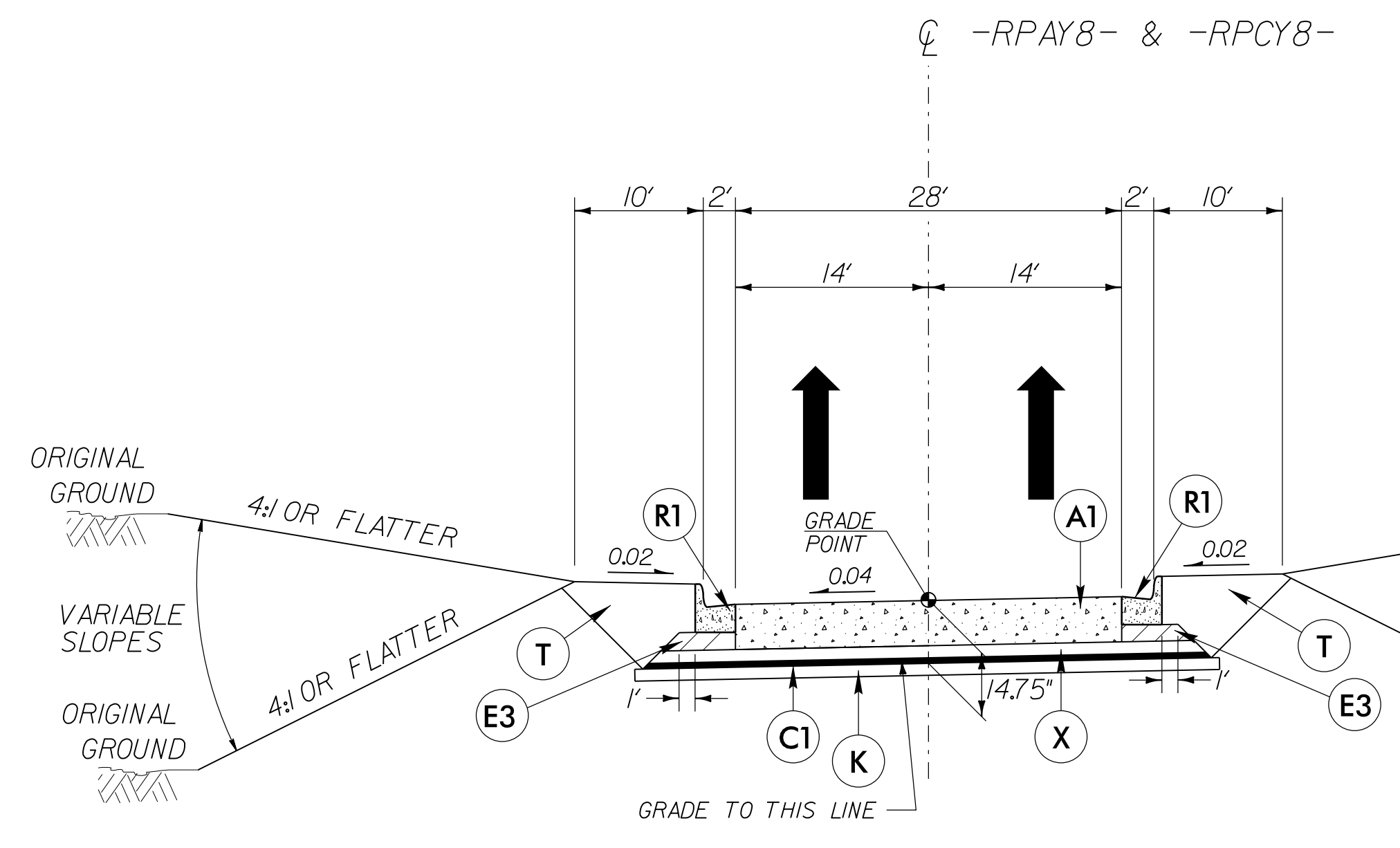


PAVEMENT SCHEDULE	
A 1	10.5" P.C.C. JOINTED W/DOWELS
C 1	1.25" A.C.S.C. TYPE S9.5A
C 6	3" A.C.S.C. TYPE S9.5C
D 3	4" A.C.I.C. TYPE I 19.0C
E 3	VARIABLE DEPTH A.C.B.C. TYPE B25.0B
J 1	8" DEPTH A.B.C.
K	SUBGRADE STABILIZATION
N	GEOTEXTILE FOR PAV'T STABILIZATION
R 1	2'-6" CURB & GUTTER
T	EARTH MATERIAL
X	3" PADC, TYPE P-57

PLANS PREPARED BY:  
**PARSONS**  
 RALEIGH, NORTH CAROLINA, (919) 854-1345  
 NC LICENSE NO. F-0246  
 FOR NORTH CAROLINA DEPT. OF TRANSPORTATION

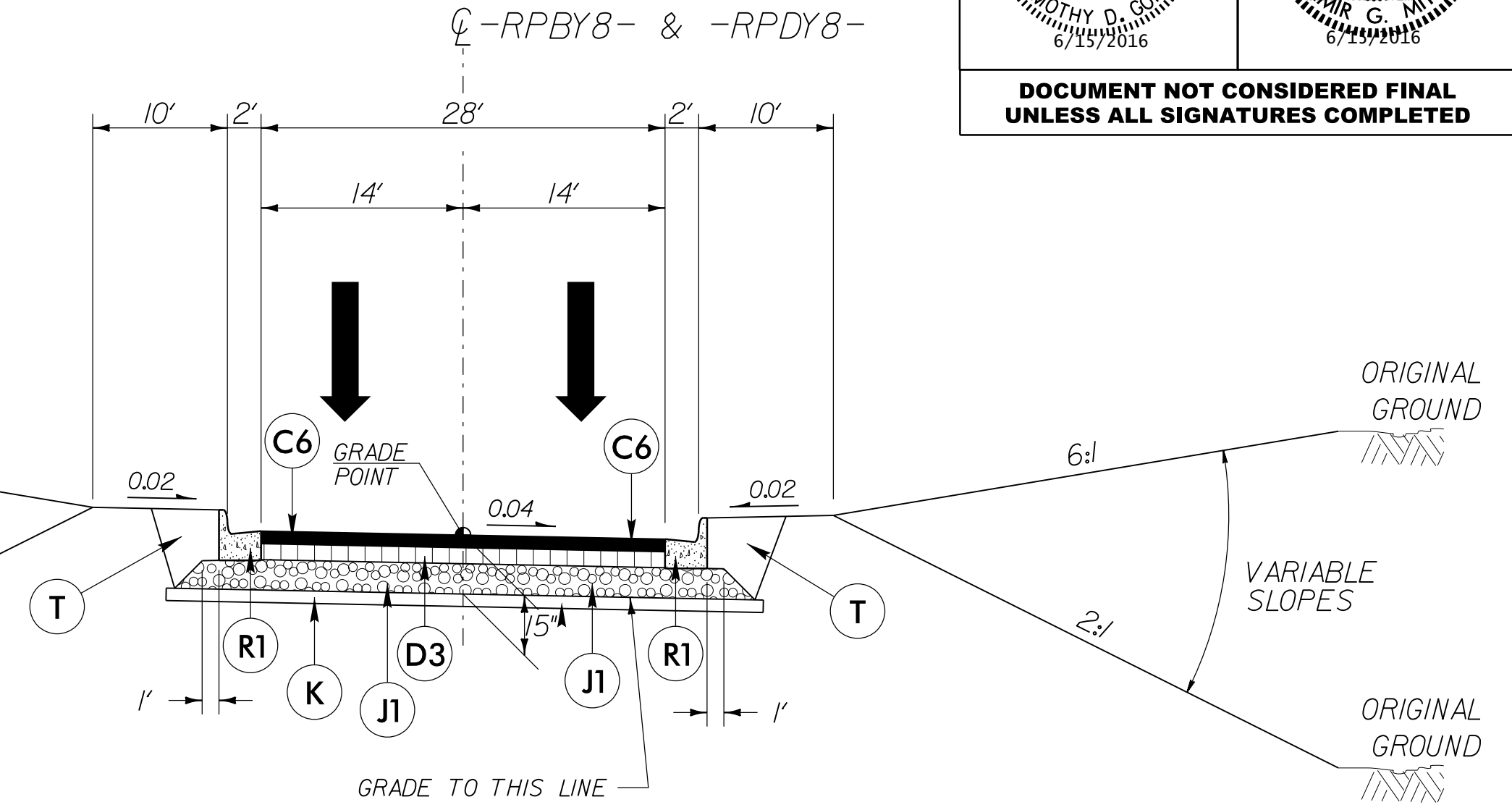
PROJECT REFERENCE NO. U-2524D	SHEET NO. 2A-8
ROADWAY DESIGN ENGINEER	PAVEMENT DESIGN ENGINEER
	
DOCUMENT NOT CONSIDERED FINAL UNLESS ALL SIGNATURES COMPLETED	



**TYPICAL SECTION NO. 12**

**USE TYPICAL SECTION NO. 12**

-RPAY8- FROM STA. 11+22.60 TO STA. 14+15.68  
 -RPCY8- FROM STA. 10+99.15 TO STA. 13+38.29



**TYPICAL SECTION NO. 13**

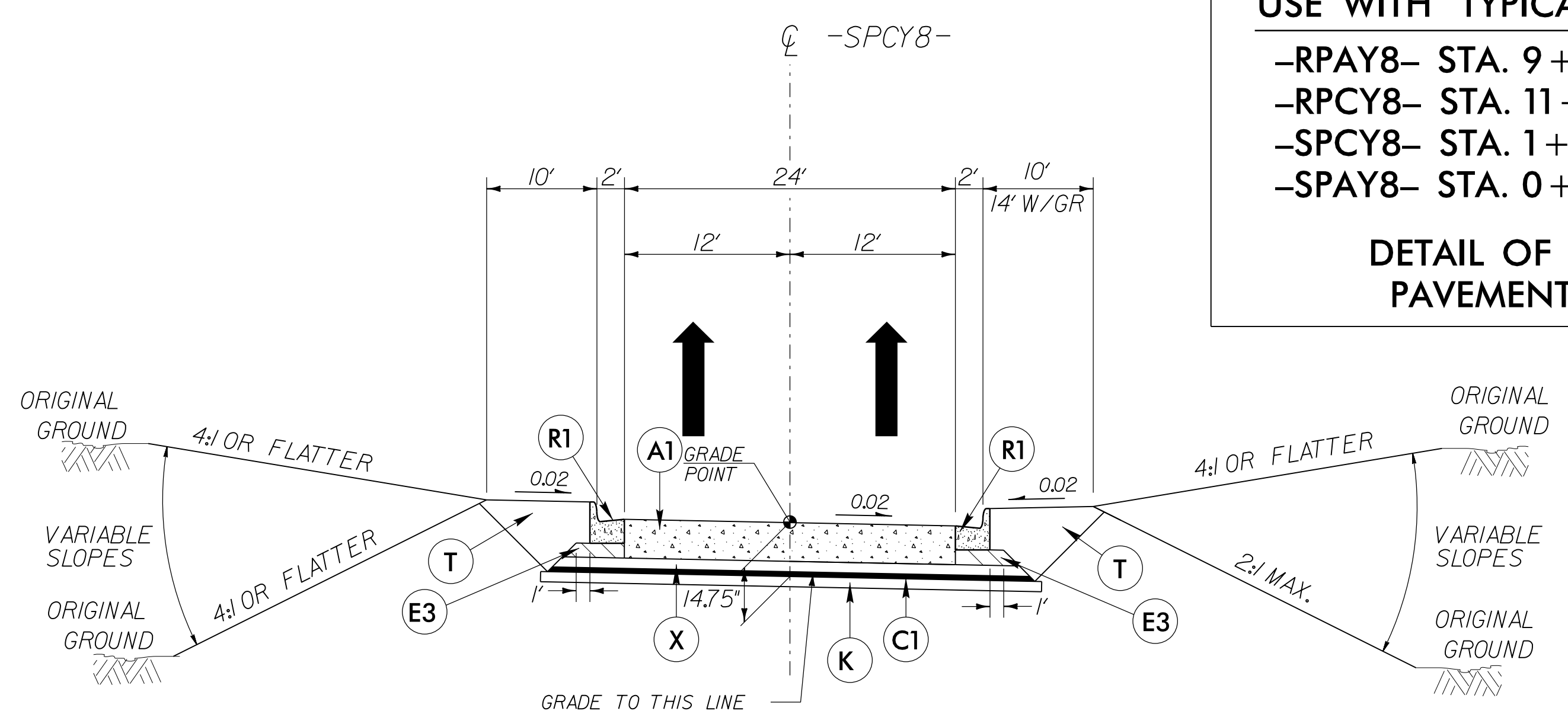
**USE TYPICAL SECTION NO. 13**

-RPBY8- FROM STA. 11+58.59 TO STA. 13+45.49  
 -RPDY8- FROM STA. 12+17.44 TO STA. 14+08.52

**USE WITH TYPICAL SECTION 12, 14 & 18**

- RPAY8- STA. 9+75 TO 11+64
- RPCY8- STA. 11+50 TO 13+39
- SPCY8- STA. 1+81 TO 3+97
- SPAY8- STA. 0+00 TO 2+50

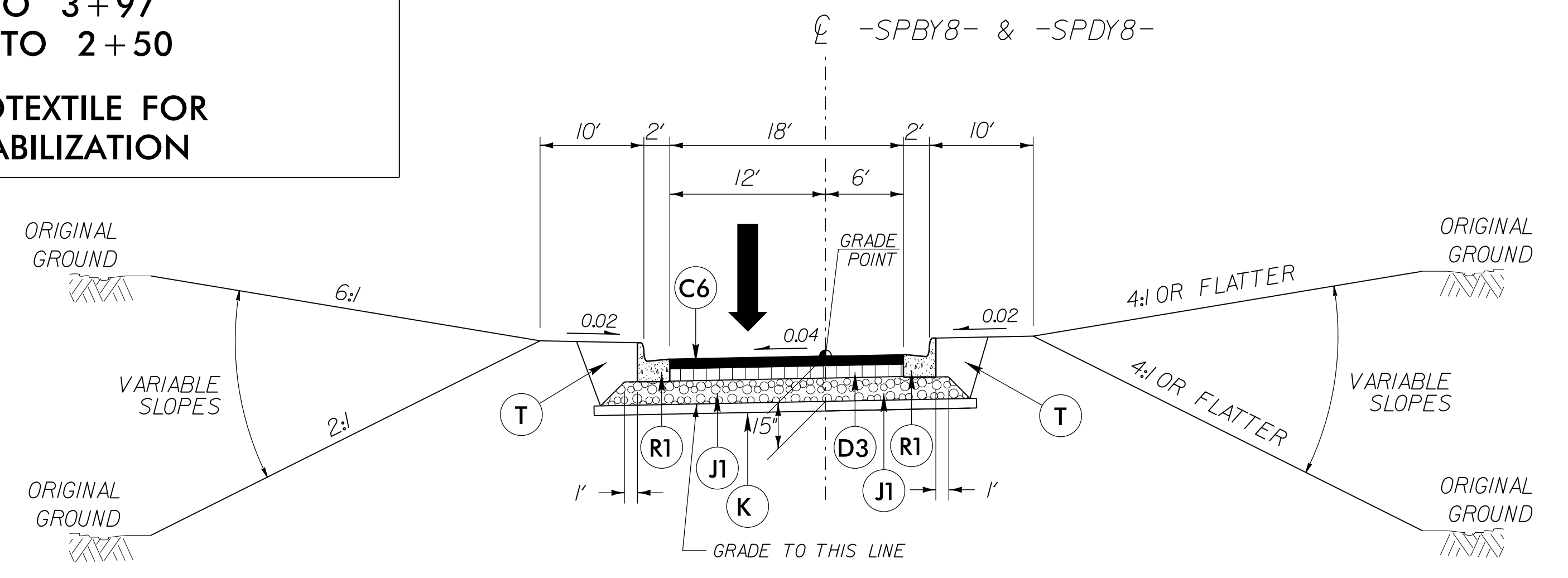
**DETAIL OF GEOTEXTILE FOR PAVEMENT STABILIZATION**



**TYPICAL SECTION NO. 14**

**USE TYPICAL SECTION NO. 14**

-SPCY8- FROM STA. 1+81.18 TO STA. 3+97.15



**TYPICAL SECTION NO. 15**

**USE TYPICAL SECTION NO. 15**

-SPBY8- FROM STA. 1+14.50 TO STA. 3+36.02  
 -SPDY8- FROM STA. 1+15.50 TO STA. 3+07.95