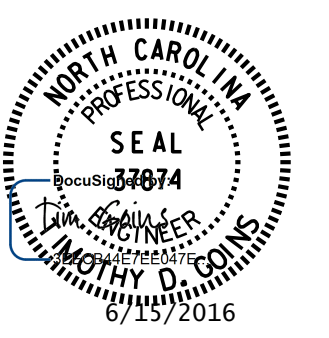
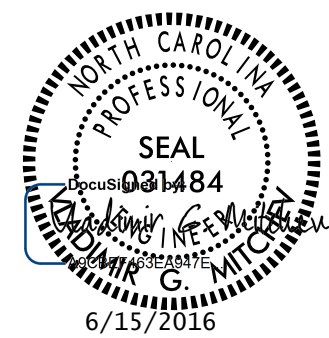


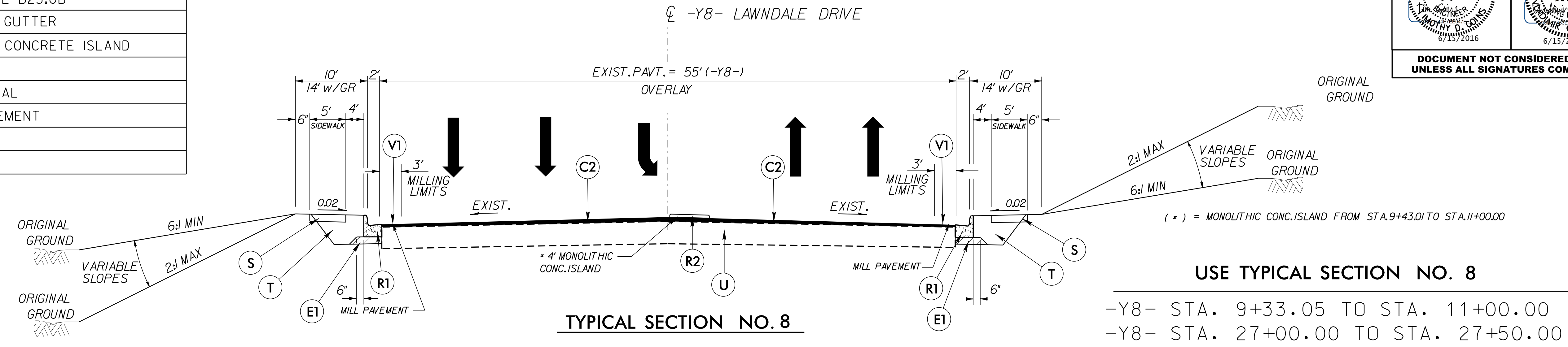
6/2/2016

PAVEMENT SCHEDULE	
C2	1.5" A.C.S.C. TYPE S9.5B
C3	3" A.C.S.C. TYPE S9.5B
D1	4" A.C.I.C. TYPE I19.0B
E1	4" A.C.B.C. TYPE B25.0B
R1	2'-6" CURB & GUTTER
R2	5" MONOLITHIC CONCRETE ISLAND
S	SIDEWALK
T	EARTH MATERIAL
U	EXISTING PAVEMENT
V1	MILLING 0"-3"
W	WEDGING

PLANS PREPARED BY:  
**PARSONS**  
 RALEIGH, NORTH CAROLINA, (919) 854-1345  
 NC LICENSE NO. F-0246  
 FOR NORTH CAROLINA DEPT. OF TRANSPORTATION

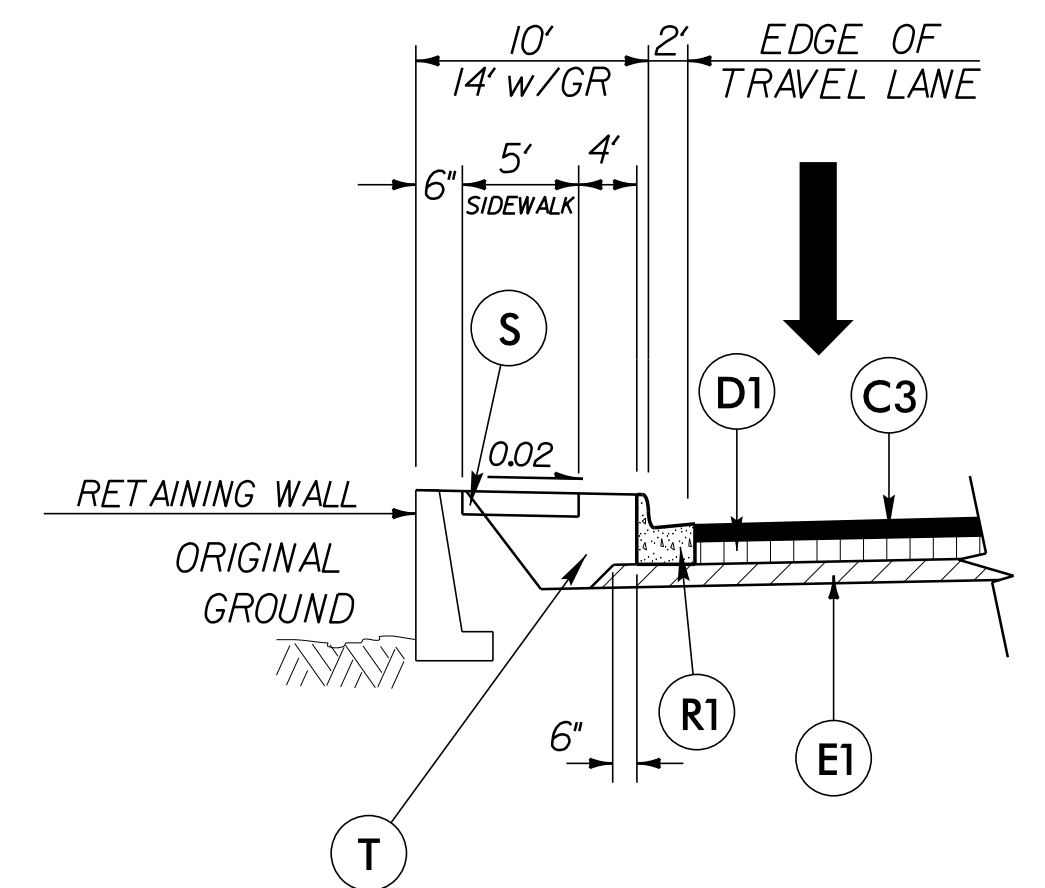
PROJECT REFERENCE NO. U-2524D	SHEET NO. 2A-6
ROADWAY DESIGN ENGINEER 	PAVEMENT DESIGN ENGINEER 

**DOCUMENT NOT CONSIDERED FINAL UNLESS ALL SIGNATURES COMPLETED**



**USE TYPICAL SECTION NO. 8**

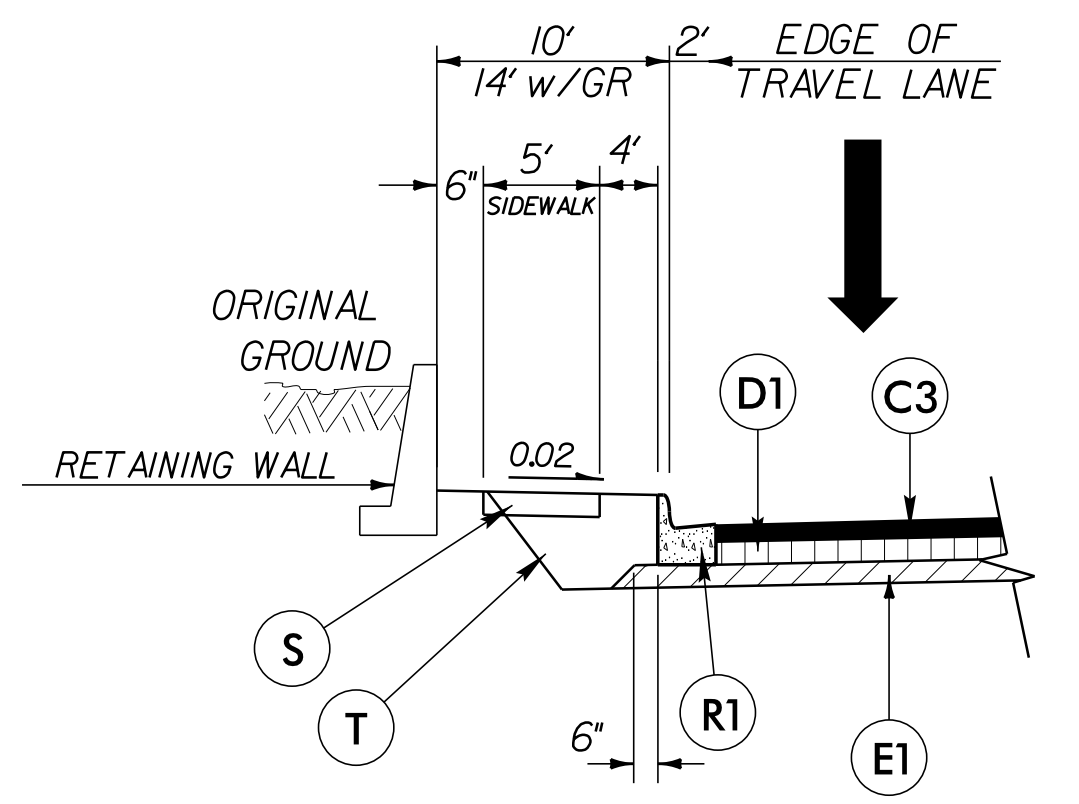
-Y8- STA. 9+33.05 TO STA. 11+00.00  
 -Y8- STA. 27+00.00 TO STA. 27+50.00



**TYPICAL SECTION NO. 9A**

RETAINING WALL 12 FROM -Y8- STA. 23+25.00 TO STA. 23+50.00 LT.

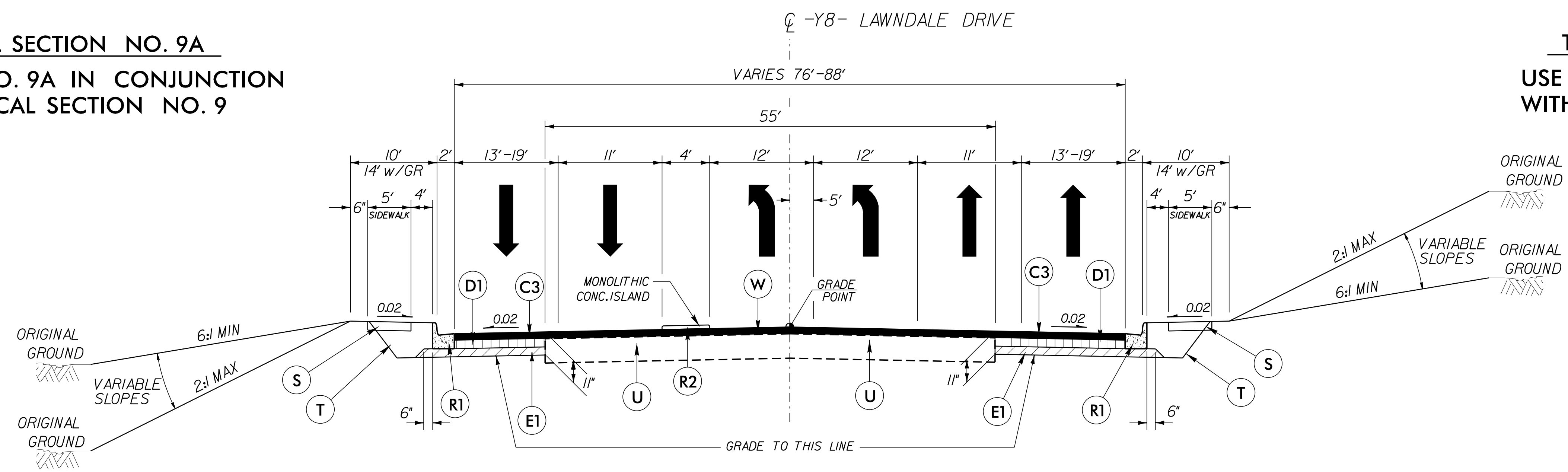
**USE T.S. NO. 9A IN CONJUNCTION WITH TYPICAL SECTION NO. 9**



**TYPICAL SECTION NO. 9B**

RETAINING WALL 12 FROM -Y8- STA. 23+50.00 TO STA. 24+00.00 LT.  
 RETAINING WALL 13 FROM -Y8- STA. 25+00.00 TO STA. 25+50.00 LT.

**USE T.S. NO. 9B IN CONJUNCTION WITH TYPICAL SECTION NO. 9**



**USE TYPICAL SECTION NO. 9**

-Y8- STA. 11+00.00 TO STA. 27+00.00

14-JUN-2016 16:32  
 \\p01\user\mitchell\proj\U2524D\RDY\_TYP\_02A-6.dgn  
 \$\$\$\$USERNAME\$\$\$\$