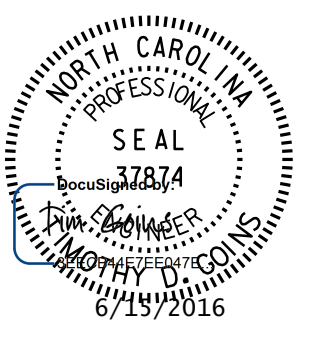
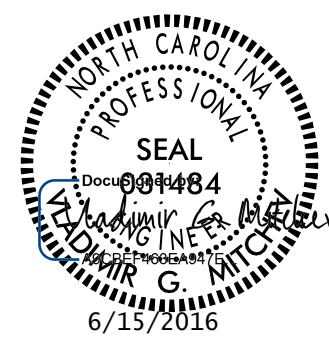
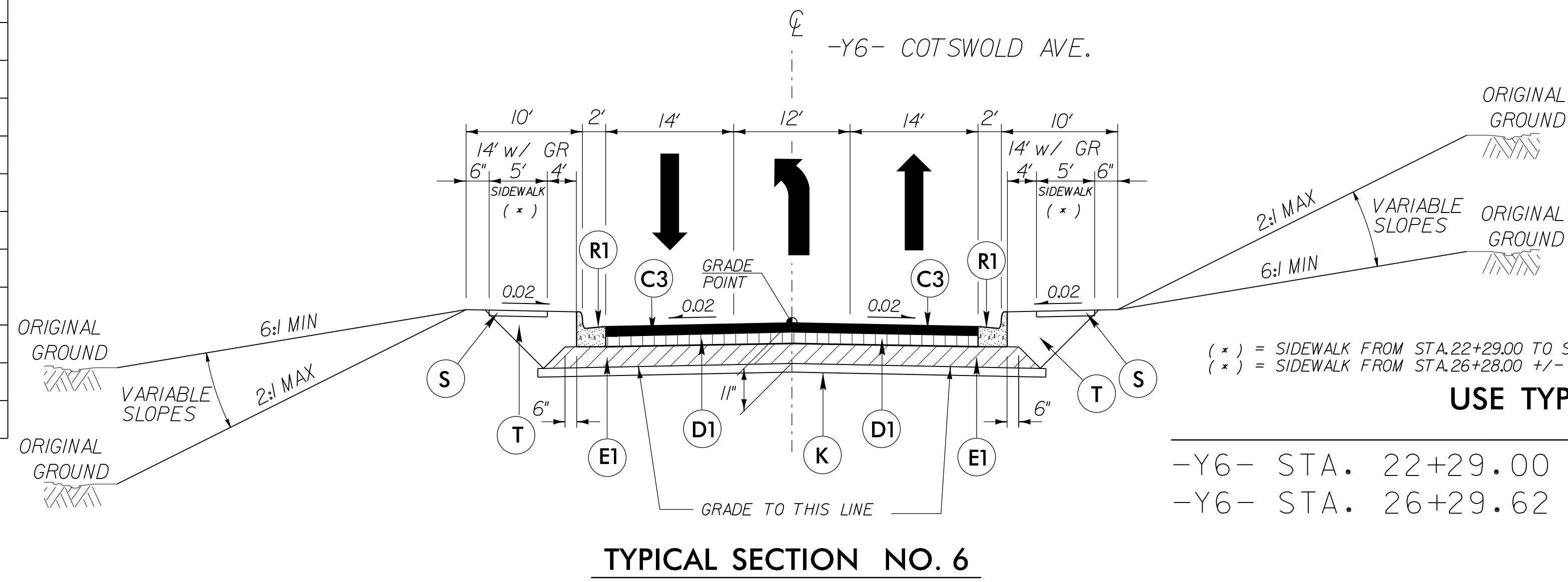


6/2/2016

PAVEMENT SCHEDULE	
C2	1.5" A.C.S.C. TYPE S9.5B
C3	3" A.C.S.C. TYPE S9.5B
D1	4" A.C.I.C. TYPE I19.0B
E1	4" A.C.B.C. TYPE B25.0B
K	SUBGRADE STABILIZATION
N	GEOTEXTILE FOR PAV'T STABILIZATION
R1	2'-6" CURB & GUTTER
S	SIDEWALK
T	EARTH MATERIAL
U	EXISTING PAVEMENT
VI	MILLING 0"-3"

PLANS PREPARED BY:  
**PARSONS**  
 RALEIGH, NORTH CAROLINA, (919) 854-1345  
 NC LICENSE NO. F-0246  
 FOR NORTH CAROLINA DEPT. OF TRANSPORTATION

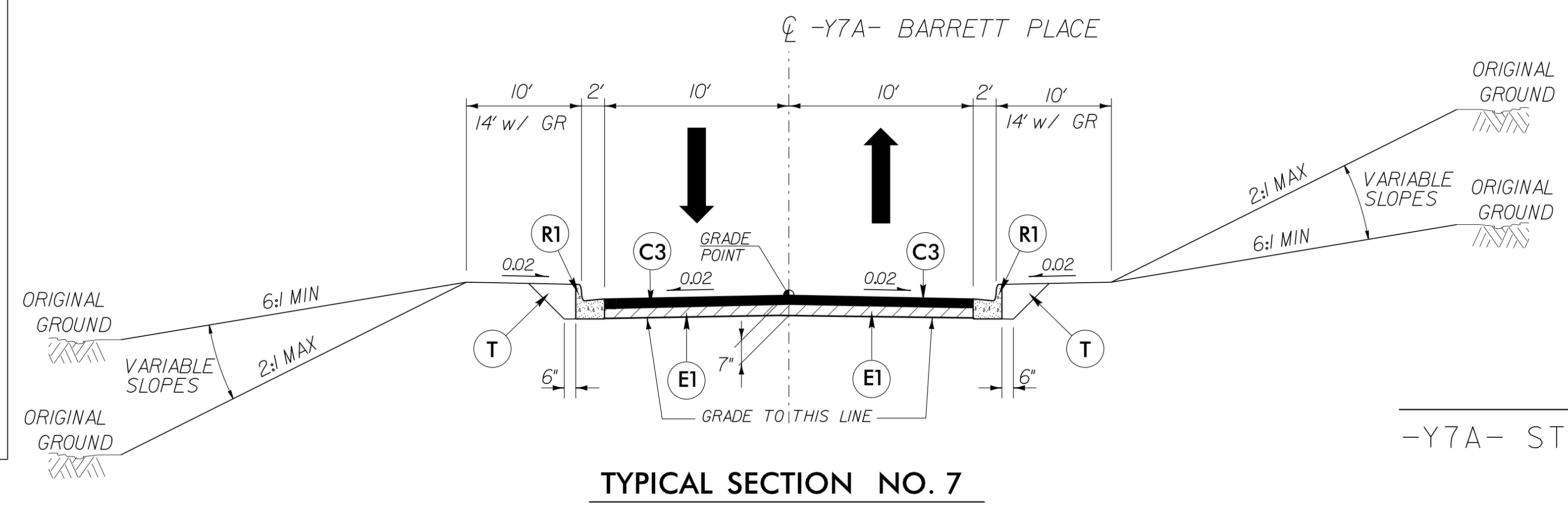
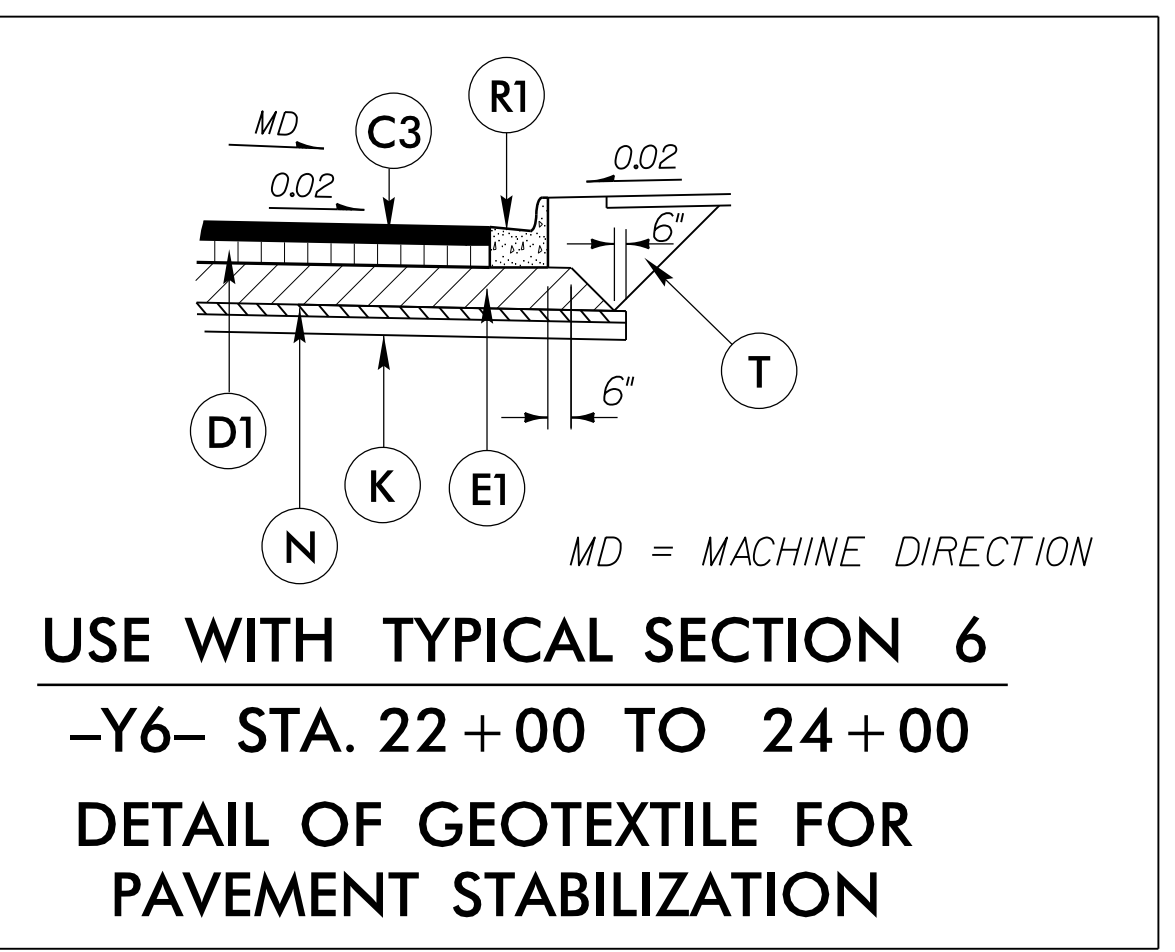
PROJECT REFERENCE NO. U-2524D	SHEET NO. 2A-5
ROADWAY DESIGN ENGINEER 	PAVEMENT DESIGN ENGINEER 
<b>DOCUMENT NOT CONSIDERED FINAL UNLESS ALL SIGNATURES COMPLETED</b>	



(\*) = SIDEWALK FROM STA. 22+29.00 TO STA. 24+10.00 +/- (BEGIN BRIDGE) RT.  
 (\*) = SIDEWALK FROM STA. 26+28.00 +/- (END BRIDGE) TO STA. 29+00.00 RT.

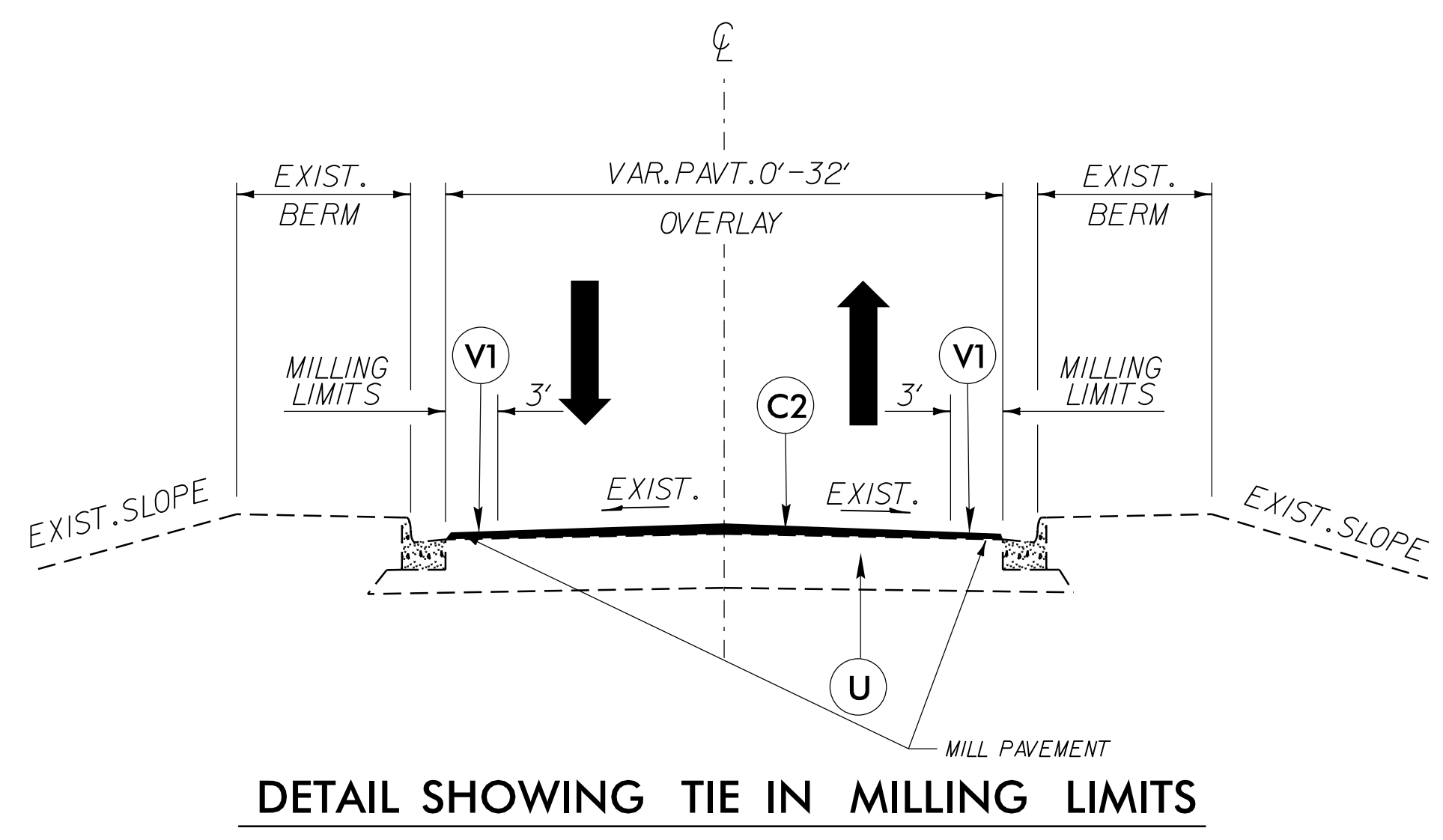
**USE TYPICAL SECTION NO. 6**

-Y6- STA. 22+29.00 TO STA. 24+10.12 (BEG. BRIDGE)  
 -Y6- STA. 26+29.62 (END BRIDGE) TO STA. 29+00.00



**USE TYPICAL SECTION NO. 7**

-Y7A- STA. 10+25.00 TO STA. 13+20.00



**USE THIS DETAIL IN CONJUNCTION WITH TYPICAL SECTION NO. 2 THROUGH TYPICAL SECTION NO. 7**

-Y5- STA. 12+00.00 TO STA. 12+25.00  
 -Y6- STA. 16+50.00 TO STA. 17+00.00  
 -Y6- STA. 32+16.04 TO STA. 32+41.04  
 -Y6A- STA. 15+00.00 TO STA. 15+25.00  
 -Y7A- STA. 10+00.00 TO STA. 10+25.00  
 -Y7A- STA. 13+20.00 TO STA. 13+45.00

I:\JULY 2016\1325\44444\Projects\U2524D\_RDY\_TYP\_02A-5.dgn  
 \$\$\$\$\$\$USERNAME\$\$\$\$\$\$