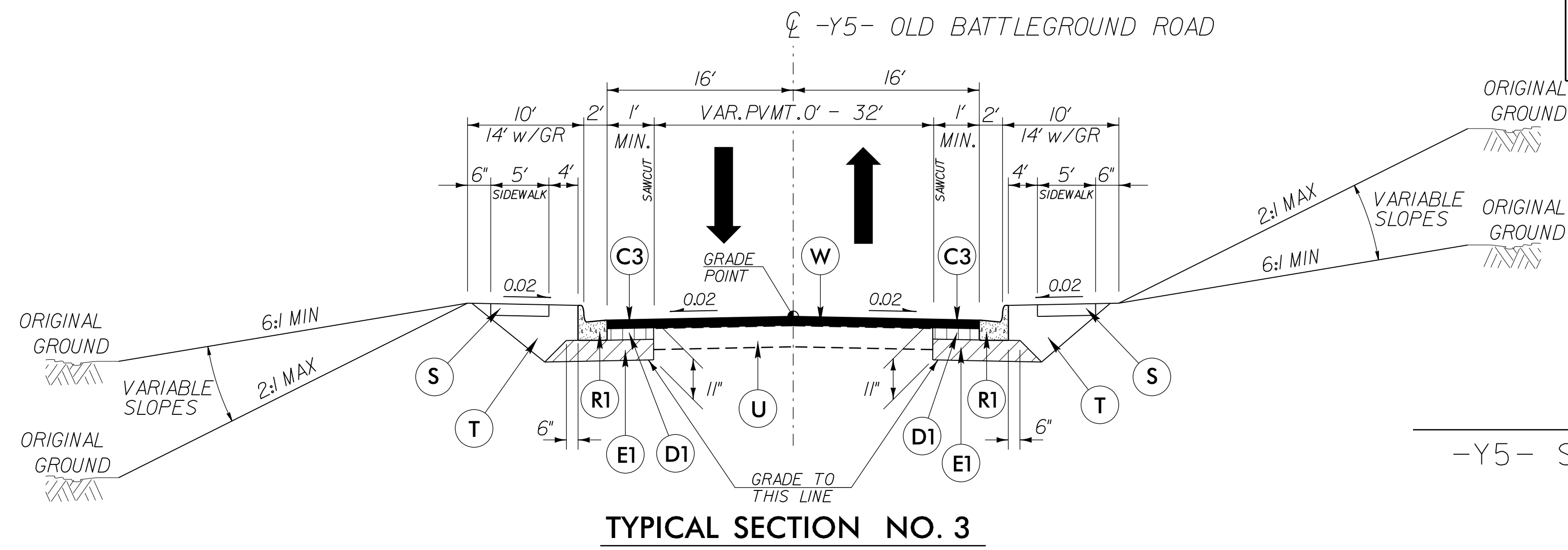


6/2/2016

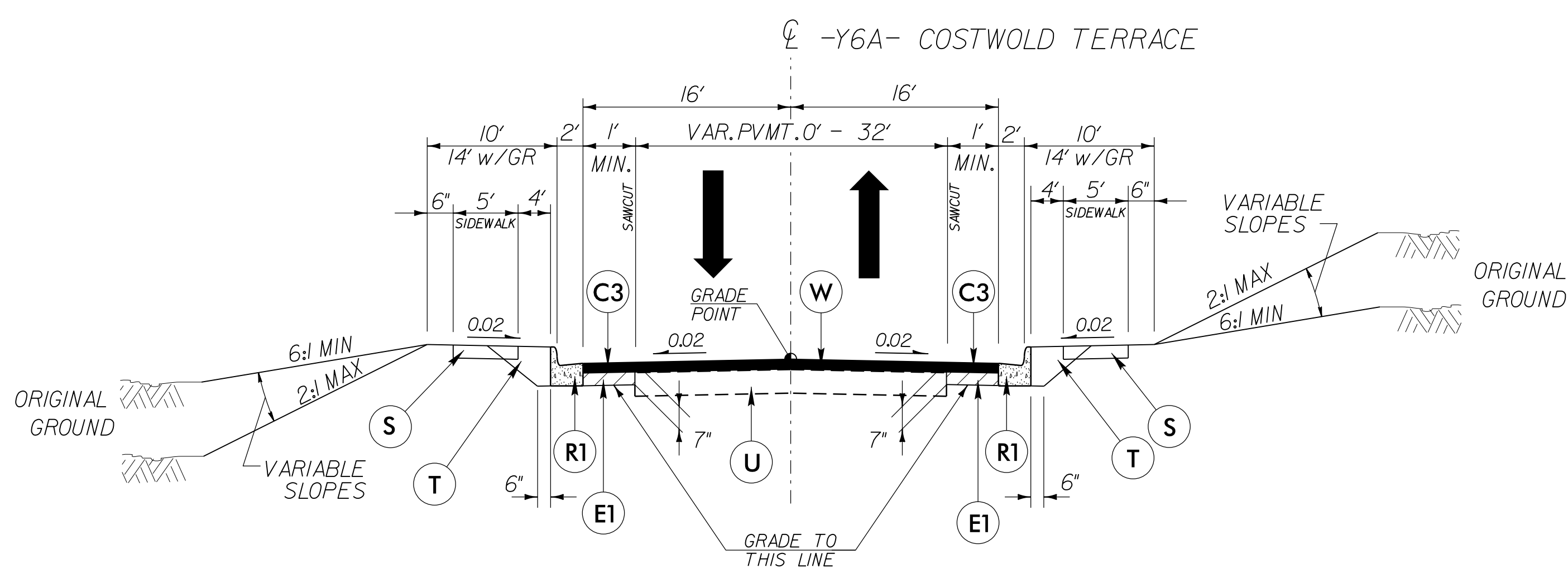
PAVEMENT SCHEDULE	
C3	3" A.C.S.C. TYPE S9.5B
C5	1.5" A.C.S.C. TYPE SF9.5A
D1	4" A.C.I.C. TYPE I19.0B
E1	4" A.C.B.C. TYPE B25.0B
J2	6" DEPTH A.B.C.
R1	2'-6" CURB & GUTTER
S	SIDEWALK
T	EARTH MATERIAL
U	EXISTING PAVEMENT
W	WEDGING

PLANS PREPARED BY:
PARSONS
 RALEIGH, NORTH CAROLINA, (919) 854-1345
 NC LICENSE NO. F-0246
 FOR NORTH CAROLINA DEPT. OF TRANSPORTATION

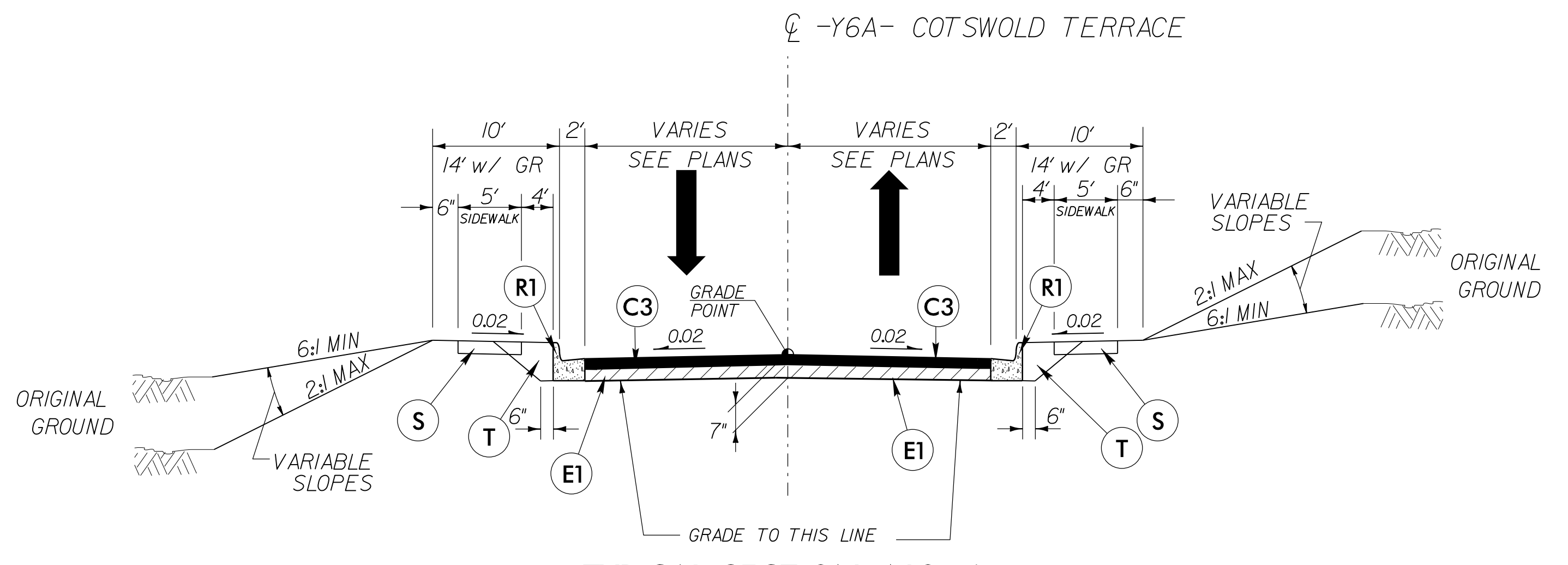
PROJECT REFERENCE NO. U-2524D	SHEET NO. 2A-4
ROADWAY DESIGN ENGINEER 	PAVEMENT DESIGN ENGINEER
DOCUMENT NOT CONSIDERED FINAL UNLESS ALL SIGNATURES COMPLETED	



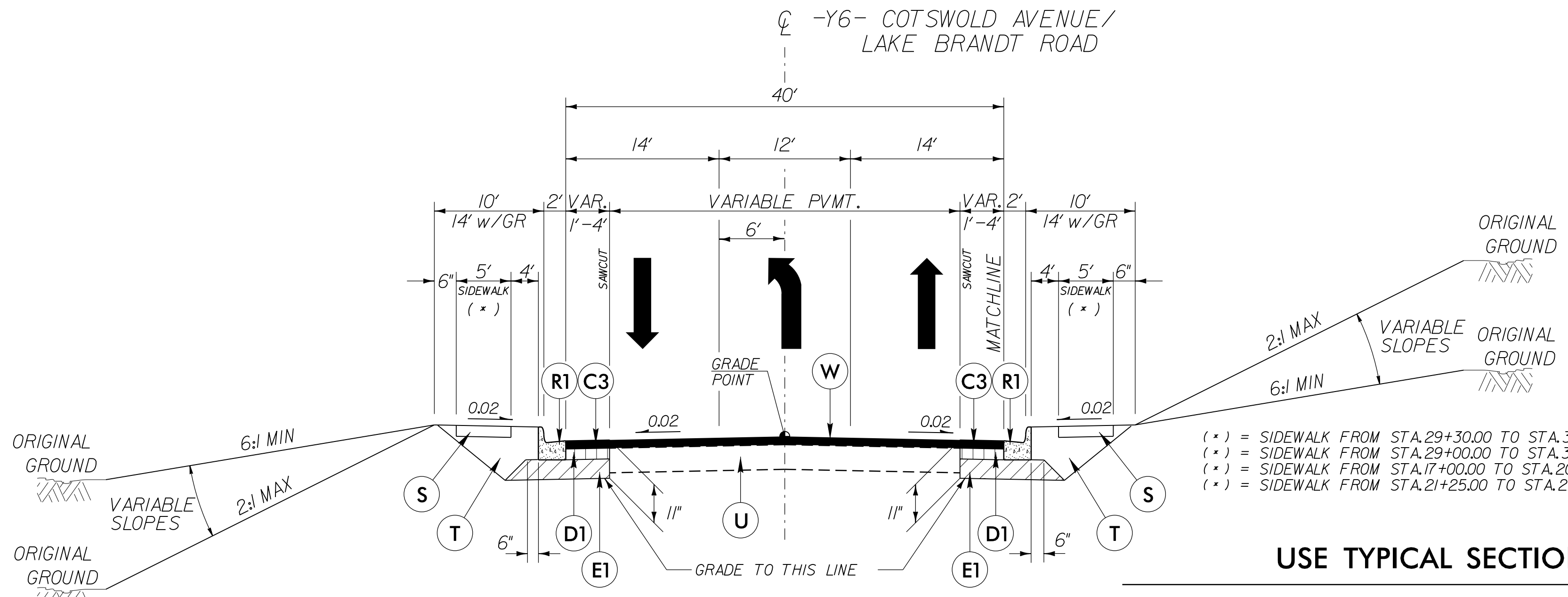
USE TYPICAL SECTION NO. 3
 -Y5- STA. 12+25.00 TO STA. 15+58.75



USE TYPICAL SECTION NO. 3A
 -Y6A- STA. 11+25.11 TO STA. 15+00.00

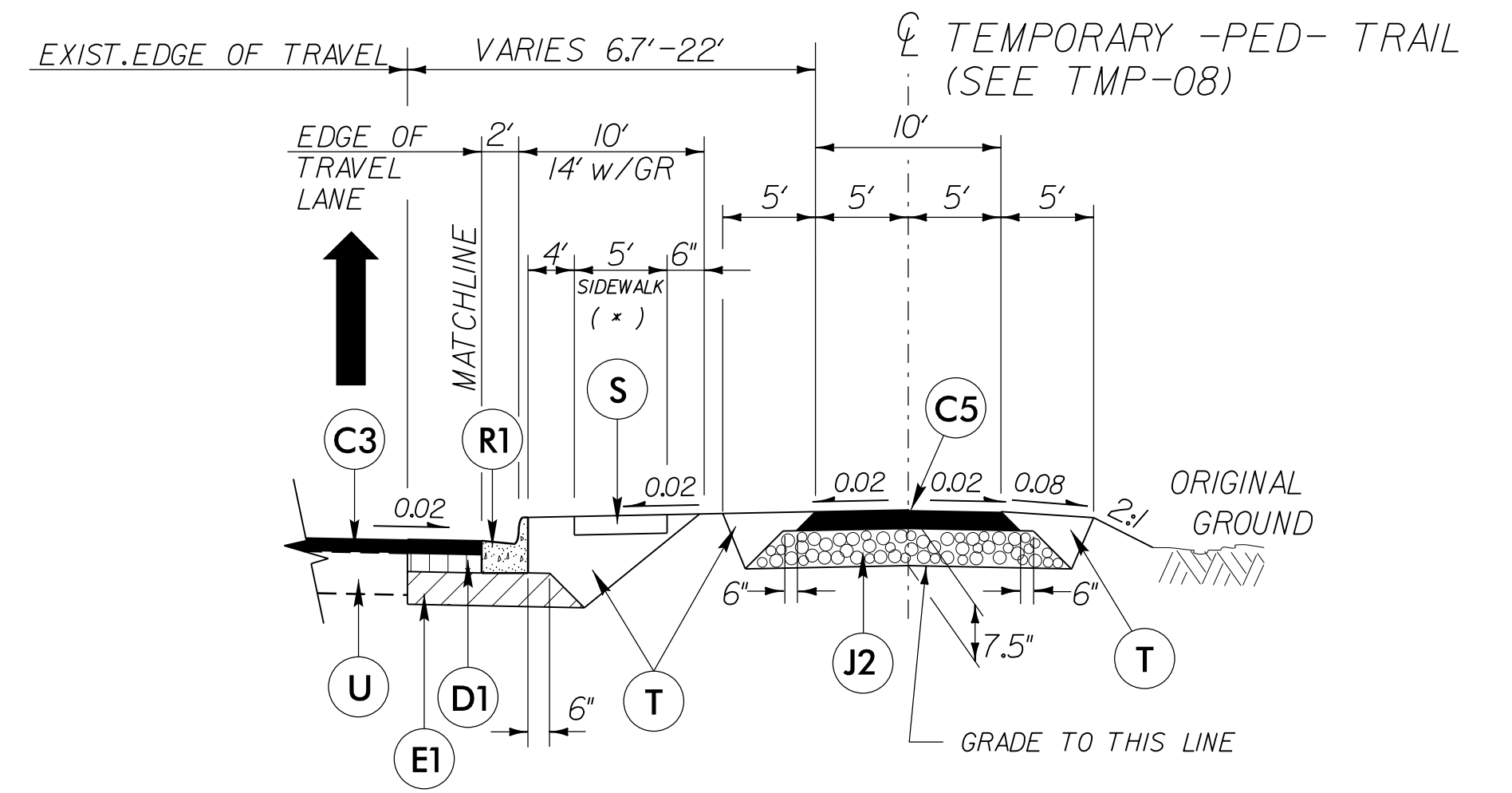


USE TYPICAL SECTION NO. 4
 -Y6A- STA. 10+20.69 TO STA. 11+25.11



- (*) = SIDEWALK FROM STA.29+30.00 TO STA.32+16.04 LT.
- (*) = SIDEWALK FROM STA.29+00.00 TO STA.32+16.04 RT.
- (*) = SIDEWALK FROM STA.17+00.00 TO STA.20+16.97 RT.
- (*) = SIDEWALK FROM STA.21+25.00 TO STA.22+29.00 RT.

USE TYPICAL SECTION NO. 5
 -Y6- STA. 17+00.00 TO STA. 22+29.00
 -Y6- STA. 29+00.00 TO STA. 32+16.04



USE T.S. NO. 5A IN CONJUNCTION WITH TYPICAL SECTION NO. 5

USE TYPICAL SECTION NO. 5A
 -Y6- STA. 29+61.63 TO STA. 31+76.77 RT

10-JUN-2016 13:25:46 \\p01\user\mitchell\proj\U2524D_RDY_TYP_02A-4.dgn
 \$\$\$\$USERNAME\$\$\$\$